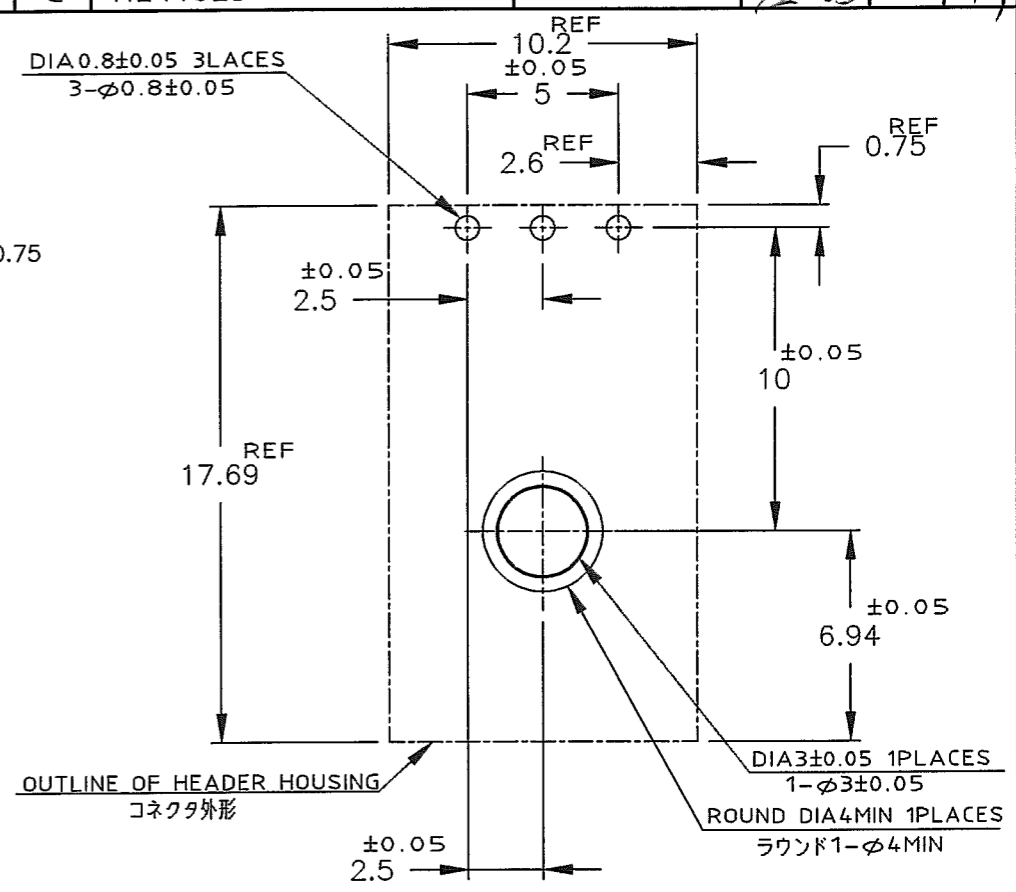
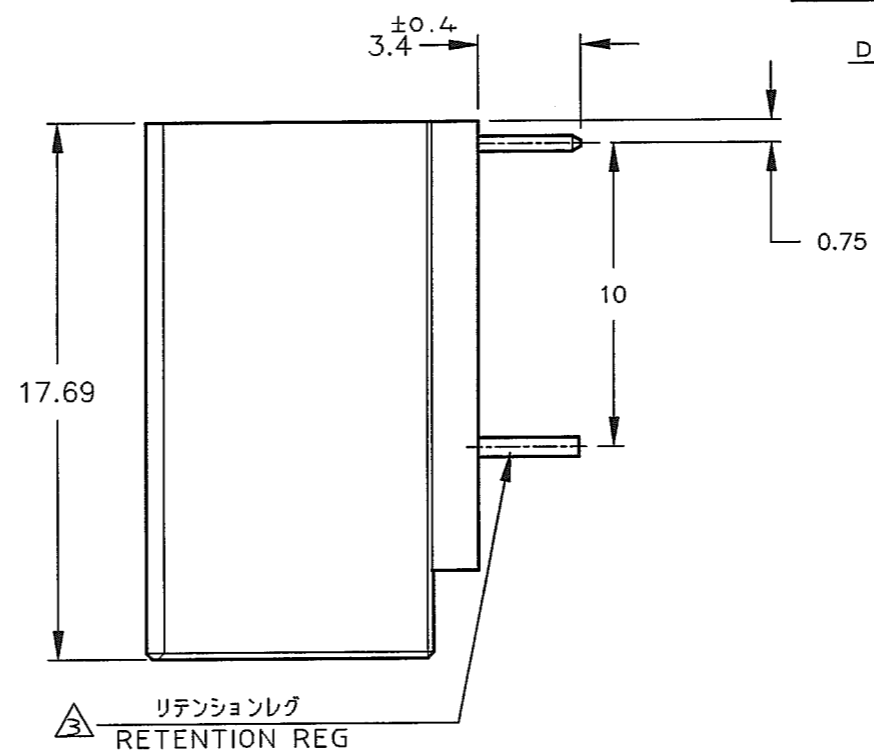
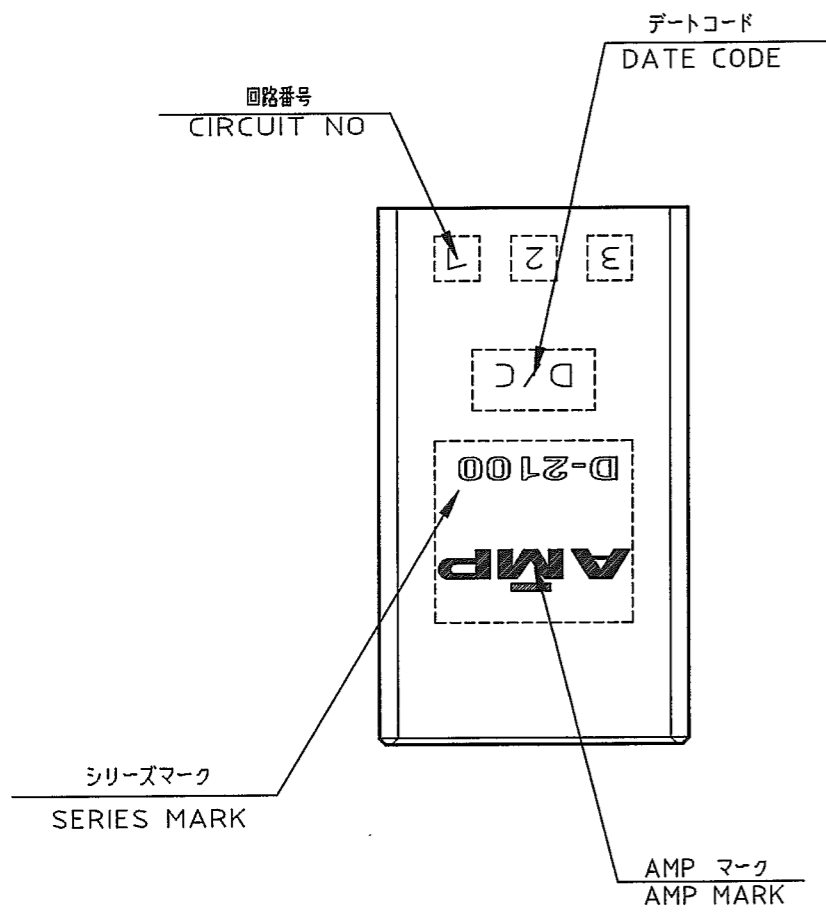


THIS DRAWING IS UNPUBLISHED. RELEASED FOR PUBLICATION 1998  
 © COPYRIGHT 1998 BY AMP INCORPORATED. ALL RIGHTS RESERVED.

LOC J  
 DIST

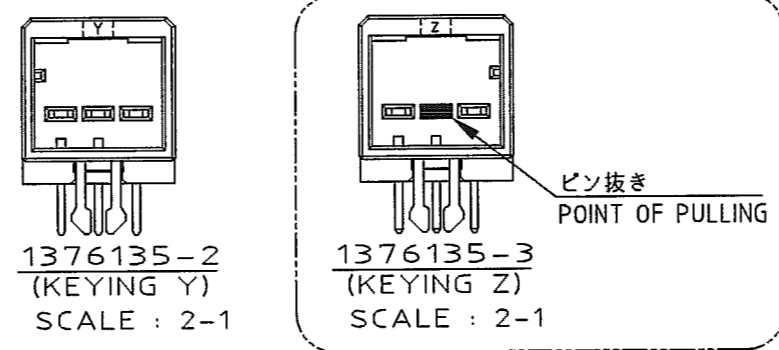
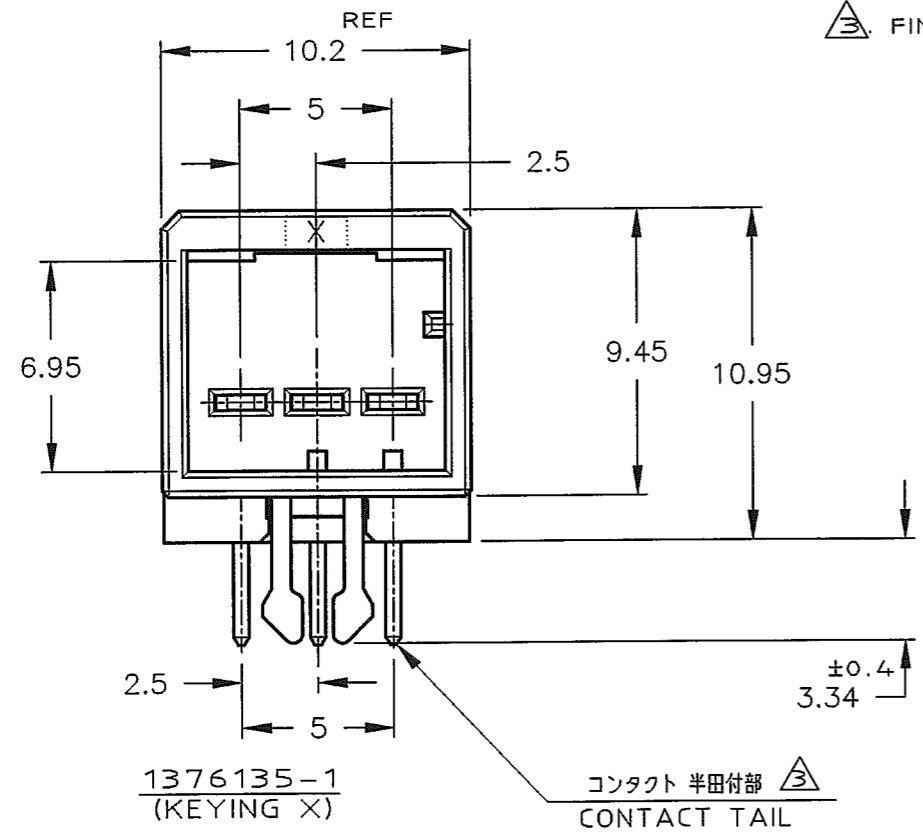
REVISIONS					
P	LTR	DESCRIPTION	ECN	DATE	DWN APVD
0		RELEASED	FJ00-1755-99	28FEB'00	K.I. I.H
A		REVISED	FJ00-1080-00	21SEP'00	Y.K. S.M
B		REVISED	FJ00-2536-02	5DEC'02	T.S. S.M
C		REVISED	FJD0-0039-03	6/2 '03	T.S. S.M



NOTES  
 1. MATERIAL: HOUSING: GLASS FILED THERMO PLASTIC, POLYESTER(94V-0), COLOR: BLACK  
 TAB CONTACT: COPPER ALLOY  
 RETENTION LEG: BRASS  
 △ FINISH (CONTACT AREA): 0.38μm MIN GOLD PLATING OVER NI PLATING  
 △ FINISH (RETENTION LEG): TIN PLATED (CONTACT TAIL) OVER NICKEL

推奨基板取付け寸法(公差: ±0.05)  
 PC 基板厚: 1.6±0.3 (コネクタ搭載面)  
 RECOMENDED PC BOARD HOLE PATTERN (TOL: ±0.05)  
 PC BOARD THICKNESS: 1.6±0.3 (CONNECTOR MOUNT SIDE)

注記  
 1. 材料: ハウジング: ガラス入り熱可塑性ポリエステル樹脂 (94V-0), 色: 黒  
 タブ コンタクト: 銅合金  
 リテンションレグ: 黄銅  
 △ めっき: コンタクト: 全面Ni下地 接触部: 0.38μm MIN金めっき  
 △ めっき: リテンションレグとコンタクト半田付部: ニッケル下地の上にスズめっき



THIS DRAWING IS A CONTROLLED DOCUMENT FOR AMP INCORPORATED. IT IS SUBJECT TO CHANGE AND THE CONTROLLING ENGINEERING ORGANIZATION SHOULD BE CONTACTED FOR THE LATEST REVISION.		DWN K.IKEDA 24/FEB/'00	tyco Electronics	Tyco Electronics AMP K.K. Kawasaki, Japan	
DIMENSIONS: 単位 形 mm		CHK Y.KATO 28/FEB/'00		NAME 1列 ヘッダーアセンブリー 3P	RESTRICTED TO
TOLERANCES UNLESS OTHERWISE SPECIFIED		APVD I.HASEGAWA 28/FEB/'00	PRODUCT SPEC 108-5619	SINGLE ROW HEADER ASS'Y 3P ("H" TYPE) <DYNAMIC D-2100S>	
MATERIAL 注記参照 SEE NOTES		APPLICATION SPEC 114-5258	SIZE A3	CAGE CODE 00779	DRAWING NO 1376135
FINISH 注記参照 SEE NOTES		WEIGHT	SCALE 4-1 SHEET 1 OF 1 REV C		
		CUSTOMER DRAWING			

## X-ON Electronics

Largest Supplier of Electrical and Electronic Components

*Click to view similar products for [Headers & Wire Housings](#) category:*

*Click to view products by [TE Connectivity](#) manufacturer:*

Other Similar products are found below :

[892-18-020-10-001101](#) [58102-G61-06LF](#) [582553-1](#) [0009485154](#) [009176003701906](#) [0050291907](#) [LY20-4P-DT1-P1E-BR](#) [02.125.8002.8](#)  
[609-3404](#) [61062-3](#) [61082-181009](#) [622-3653LF](#) [63453-116](#) [636-1030](#) [636-1427](#) [636-3427](#) [636-4007](#) [641938-9](#) [641991-4](#) [644827-2](#) [65817-](#)  
[010LF](#) [65817-015LF](#) [65863-015LF](#) [66207-023LF](#) [67095-007LF](#) [67601157](#) [68645-018](#) [68648-049](#) [70.362.1628.0](#) [70-4210](#) [70-4226B](#) [70-](#)  
[4853B](#) [707-5020](#) [707-5028](#) [71.350.2428.0](#) [71918-208LF](#) [71961-016LF](#) [733-134](#) [733-162](#) [754199-000](#) [760-3052](#) [787-8014-00](#) [79531-3000](#)  
[FCN-360C032-B](#) [FCN-367T-T012/H](#) [FCN-723D010/2](#) [80.063.4001.1](#) [800-90-001-10-001000](#) [800-90-010-10-002000](#) [801-43-002-10-013000](#)