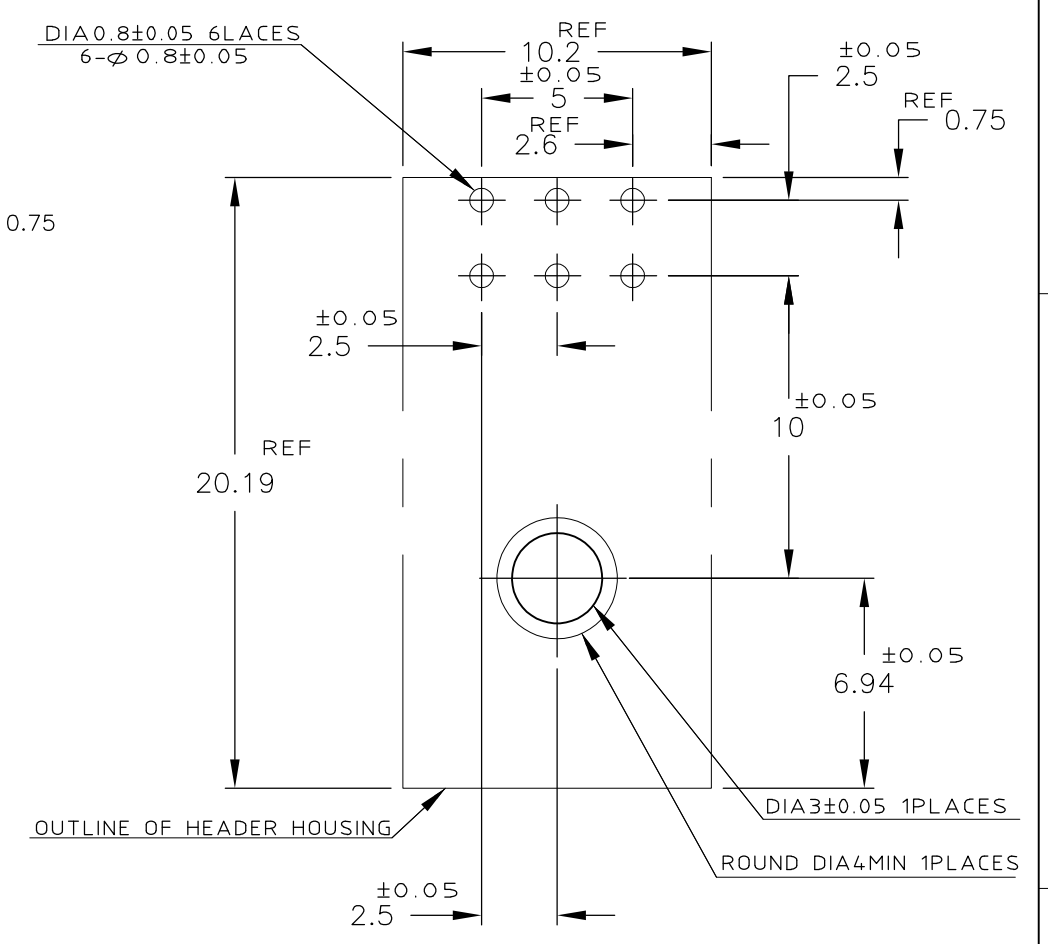
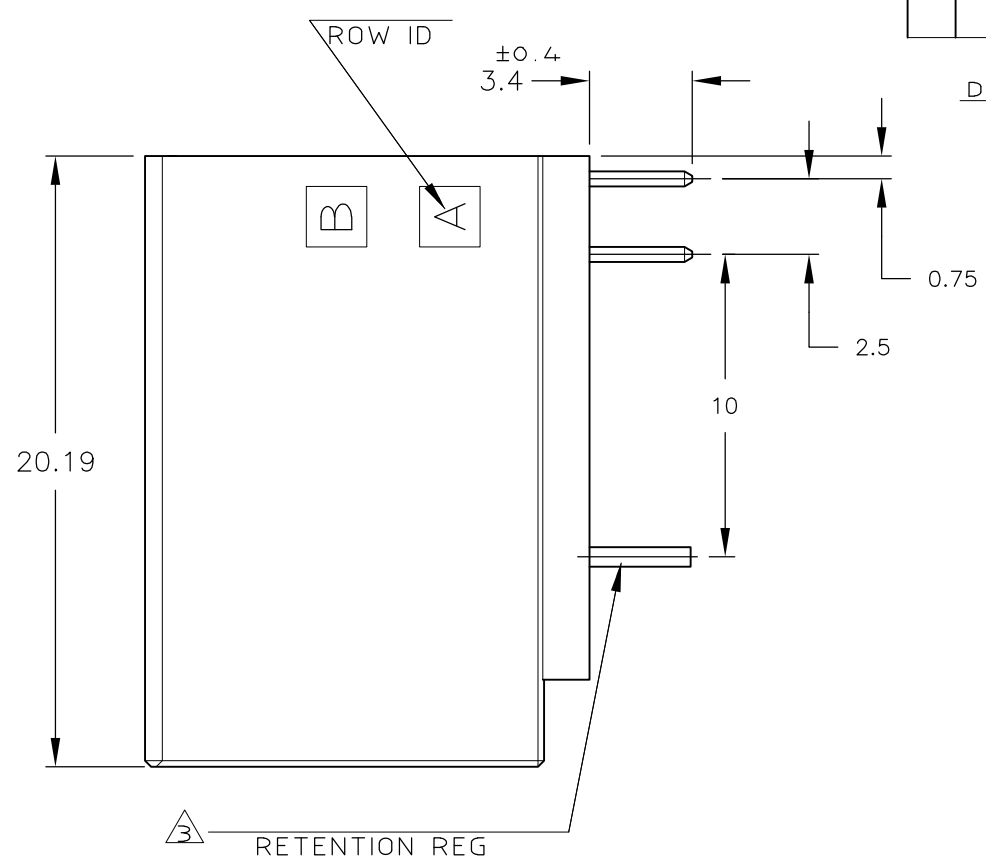
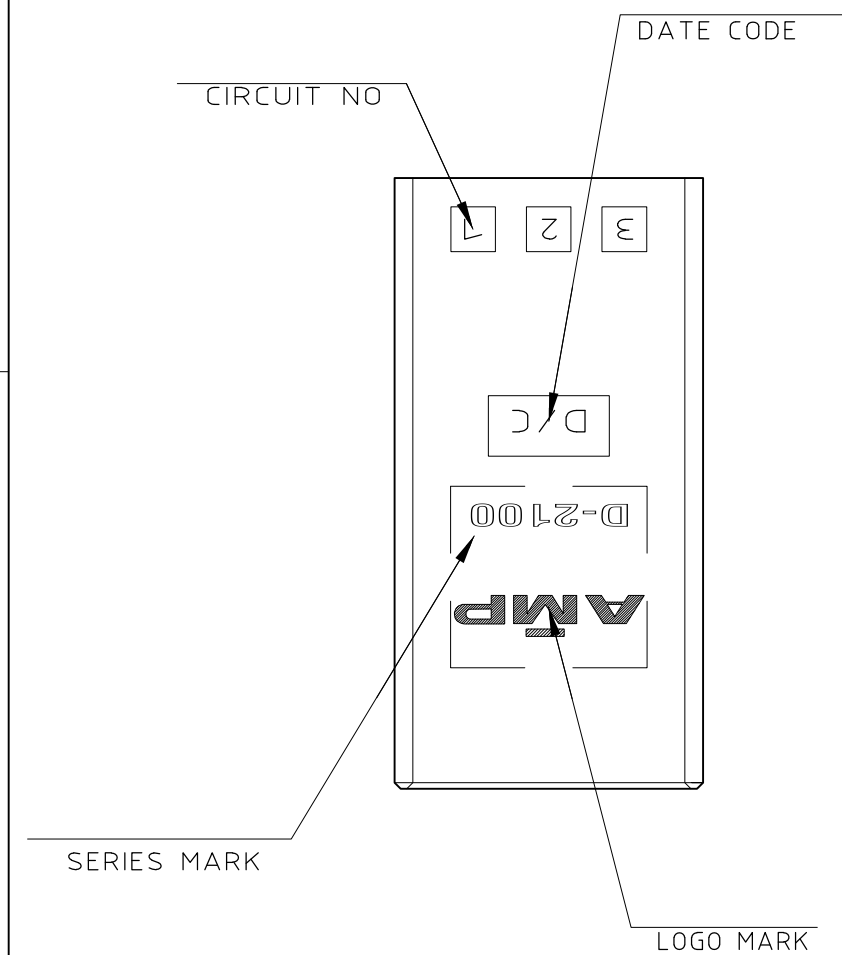
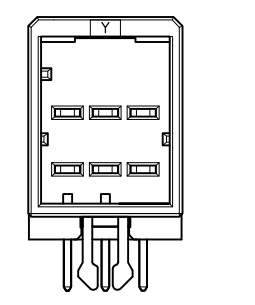
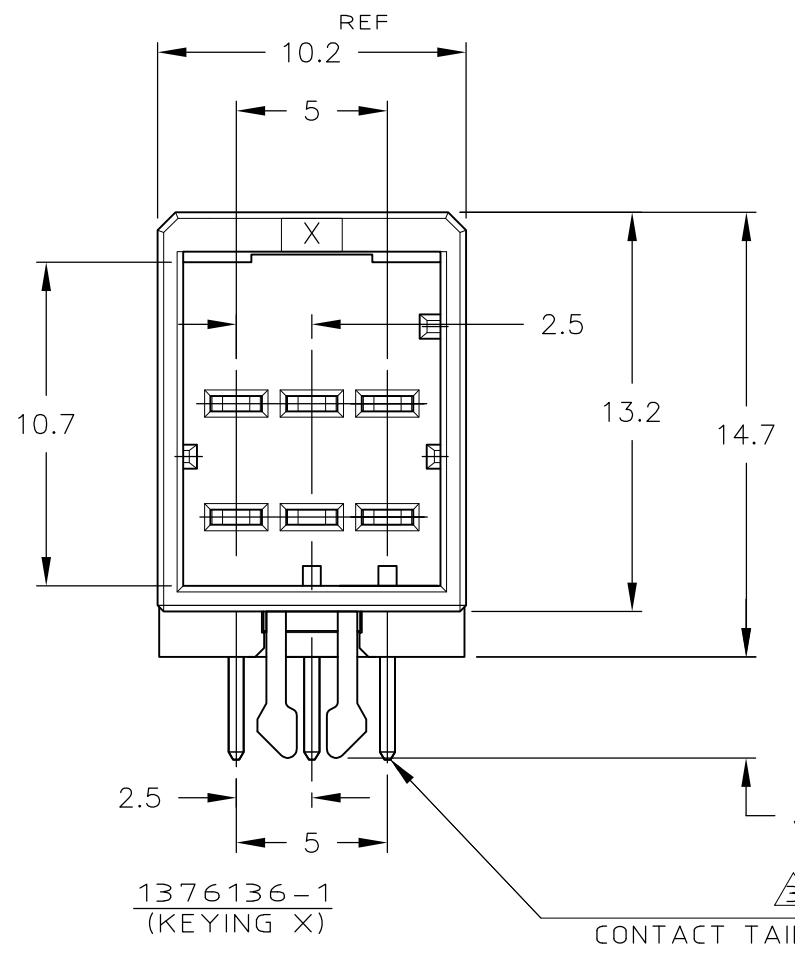


THIS DRAWING IS UNPUBLISHED. RELEASED FOR PUBLICATION
 © COPYRIGHT 2011 APR By - Tyco Electronics Japan G.K. ALL RIGHTS RESERVED.

LOC	DIST	REVISIONS			
P	LTR	DESCRIPTION	DATE	DWN	APVD
J	/	C	REVISED	25APR11	MM NY



RECOMENDED PC BOARD HOLE PATTERN(TOL:±0.05)
 PC BOARD THICKNESS:1.6±0.3
 (CONNECTOR MOUNT SIDE)



1376136-2
 9-1376136-2
 (KEYING Y)
 SCALE : 2-1

- NOTES
- MATERIAL:HOUSING:GLASS FILED THERMO PLASTIC ,POLYESTER(94V-0),
 COLOR : 1376136-1/-2 : BLACK
 9-1376136-2 : NATURAL
 TAB CONTACT:COPPER ALLOY
 RETENTION LEG:BRASS
- △2 FINISH(CONTACT AREA):0.38μmMIN GOLD PLATING
 OVER Ni PLATING
 △3 FINISH(RETENTION LEG): TIN PLATED
 (CONTACT TAIL) OVER NICKEL

KEY	COLOR	PART NO
Y	NATURAL	9-1376136-2
Y	BLACK	1376136-2
X	BLACK	1376136-1

THIS DRAWING IS A CONTROLLED DOCUMENT.		DWN K.IKEDA 24FEB00	TE Connectivity		
DIMENSIONS: mm		CHK Y.KATO 24FEB00			
TOLERANCES UNLESS OTHERWISE SPECIFIED:		APVD I.HASEGAWA 24FEB00	NAME DOUBLE ROW HEADER ASS'Y 6P ("H" TYPE) <DYNAMIC D-2100D>		
0 PLC ± - 1 PLC ± 0.3 2 PLC ± 0.35 3 PLC ± 0.4 4 PLC ± - ANGLES ± 3'		PRODUCT SPEC 108-5619	RESTRICTED TO		
MATERIAL SEE NOTES		APPLICATION SPEC 114-5258	SIZE A3	CAGE CODE 00779	DRAWING NO C-1376136
FINISH SEE NOTES		WEIGHT	SCALE 1:1 SHEET 1 OF 1 REV C		
CUSTOMER DRAWING					

X-ON Electronics

Largest Supplier of Electrical and Electronic Components

Click to view similar products for [Headers & Wire Housings](#) category:

Click to view products by [TE Connectivity](#) manufacturer:

Other Similar products are found below :

[892-18-020-10-001101](#) [58102-G61-06LF](#) [582553-1](#) [0009485154](#) [009176003701906](#) [0050291907](#) [LY20-4P-DT1-P1E-BR](#) [02.125.8002.8](#)
[609-3404](#) [61062-3](#) [61082-181009](#) [622-3653LF](#) [63453-116](#) [636-1030](#) [636-1427](#) [636-3427](#) [636-4007](#) [641938-9](#) [641991-4](#) [644827-2](#) [65817-](#)
[010LF](#) [65817-015LF](#) [65863-015LF](#) [66207-023LF](#) [67095-007LF](#) [67601157](#) [68645-018](#) [68648-049](#) [70.362.1628.0](#) [70-4210](#) [70-4226B](#) [70-](#)
[4853B](#) [707-5020](#) [707-5028](#) [71.350.2428.0](#) [71918-208LF](#) [71961-016LF](#) [733-134](#) [733-162](#) [754199-000](#) [760-3052](#) [787-8014-00](#) [79531-3000](#)
[FCN-360C032-B](#) [FCN-367T-T012/H](#) [FCN-723D010/2](#) [80.063.4001.1](#) [800-90-001-10-001000](#) [800-90-010-10-002000](#) [801-43-002-10-013000](#)