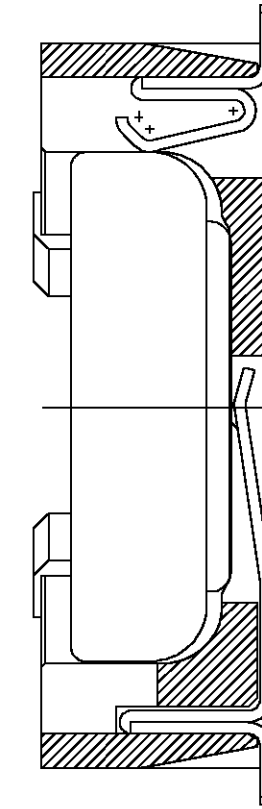
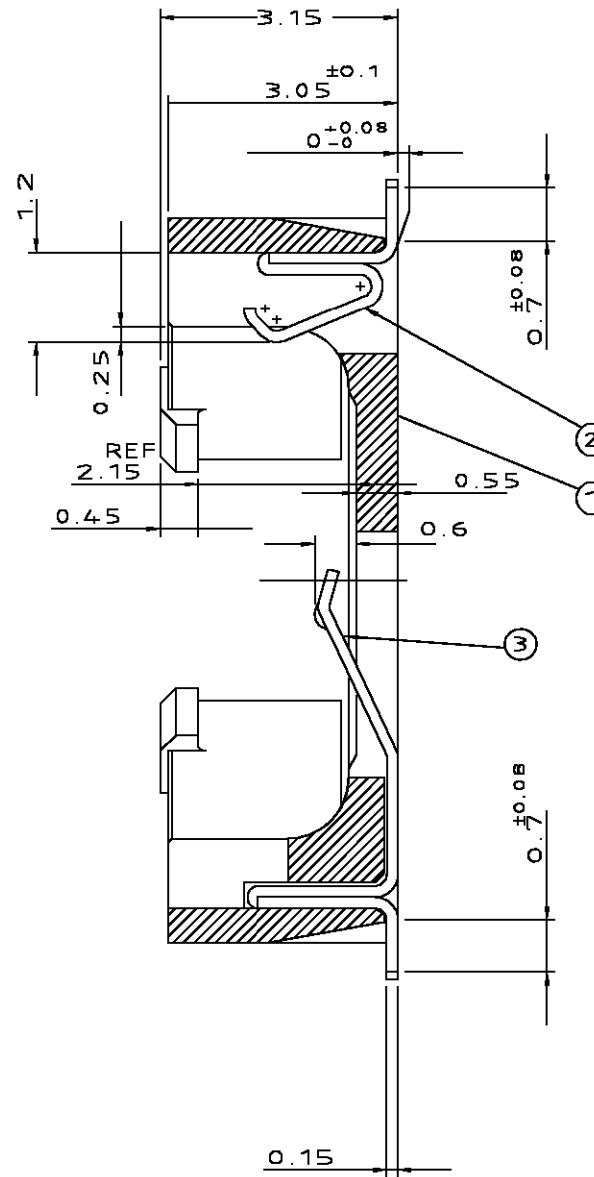
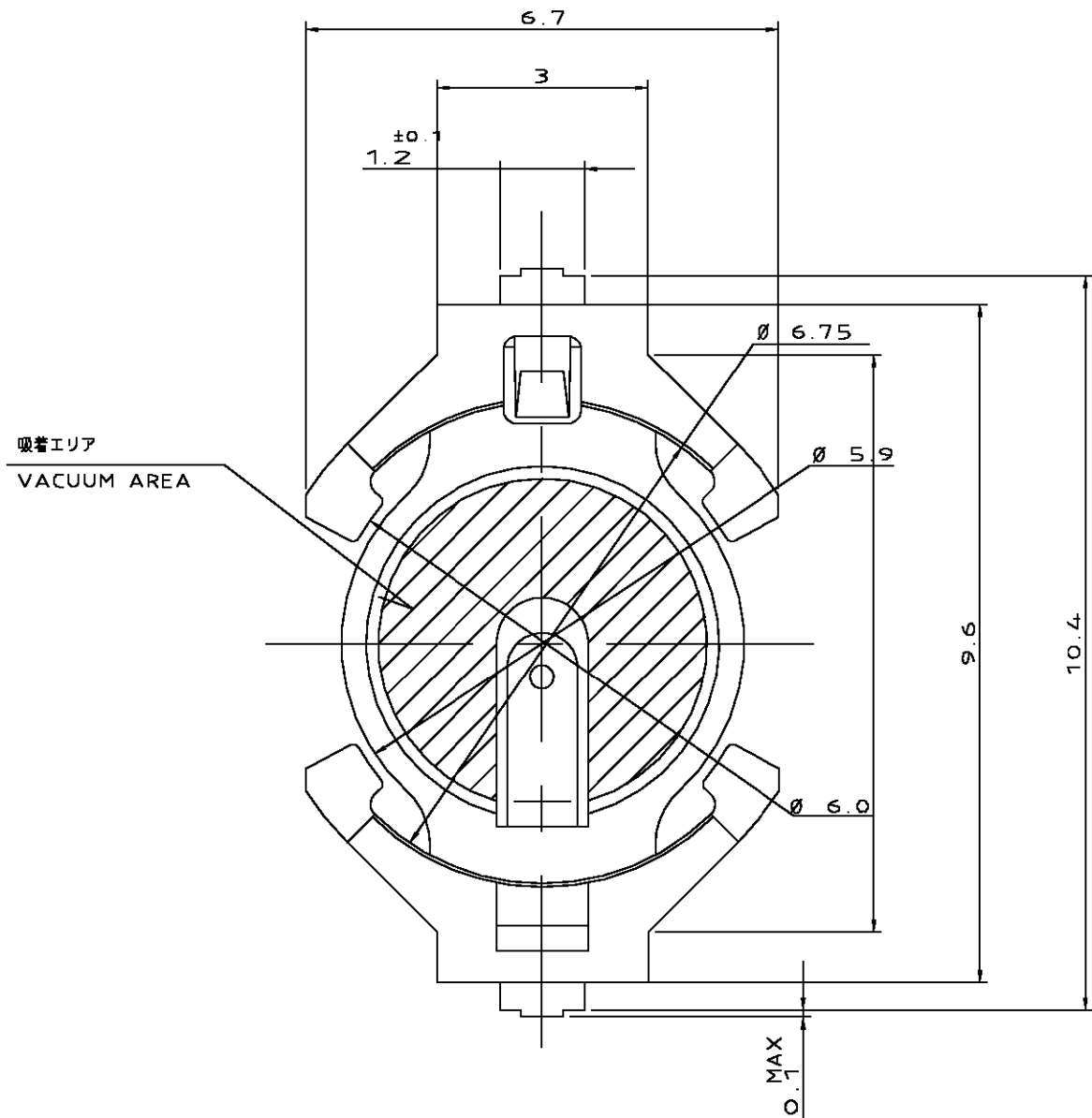


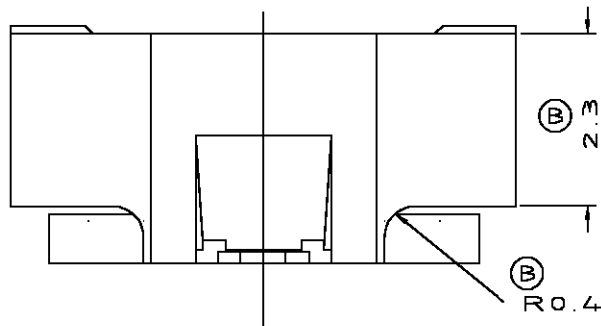
THIS DRAWING IS UNPUBLISHED. RELEASED FOR PUBLICATION
 © COPYRIGHT BY TYCO ELECTRONICS CORPORATION. ALL RIGHTS RESERVED.

LOC	DIST	REVISIONS					
		P	LTR	DESCRIPTION	DATE	DWN	APVD
J	—	O		RELEASED (FJ00-0257-00)	25APR00	T.K	K.I
		A		REVISED (FJ00-1428-00)	18OCT00	C.O	K.I
		B		REVISED (FJ00-2037-00)	05OCT01	C.O	K.I



- 1; 本図
 - 1; AS SHOWN

電池接着図
 HOLDING BATTERY DWG.

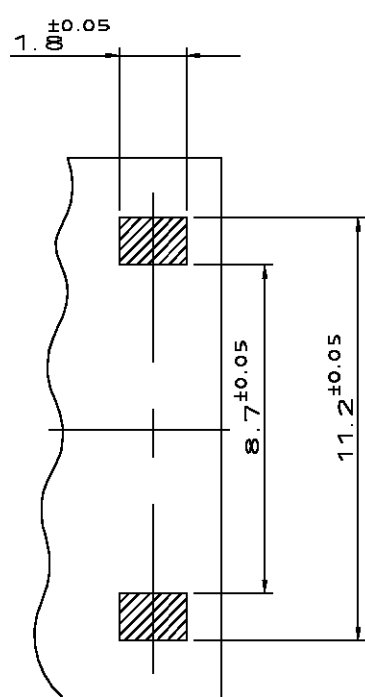
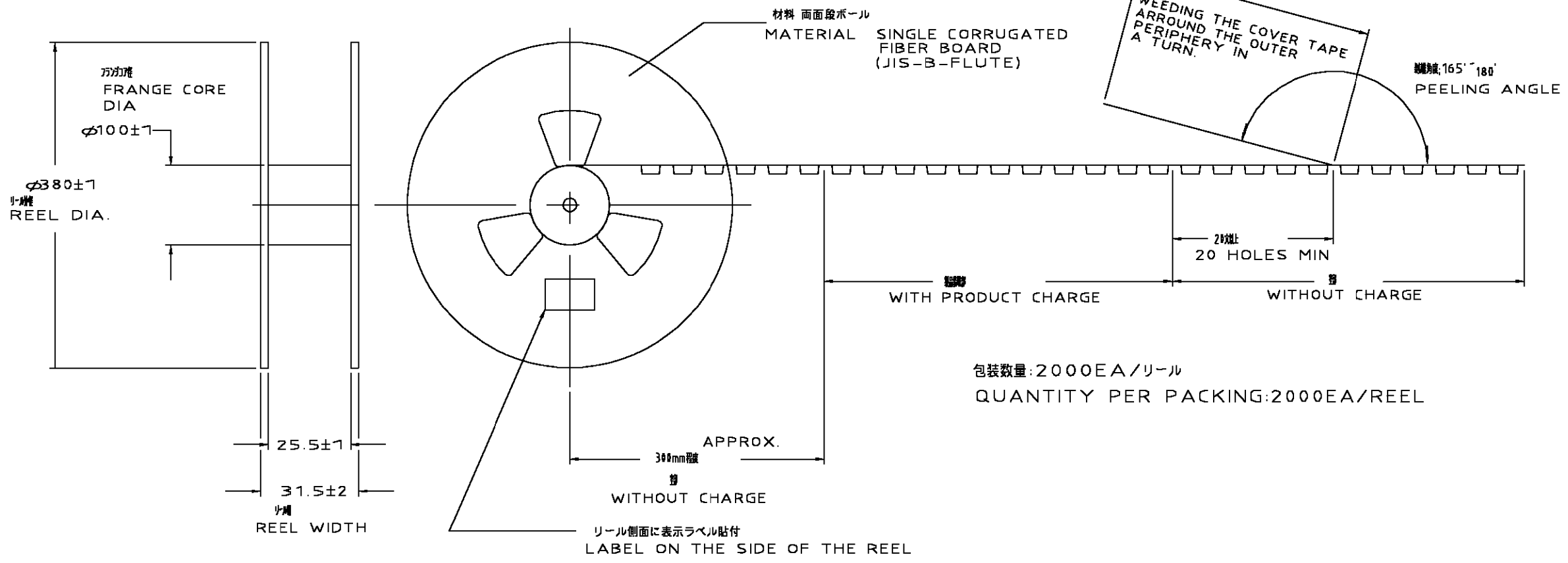
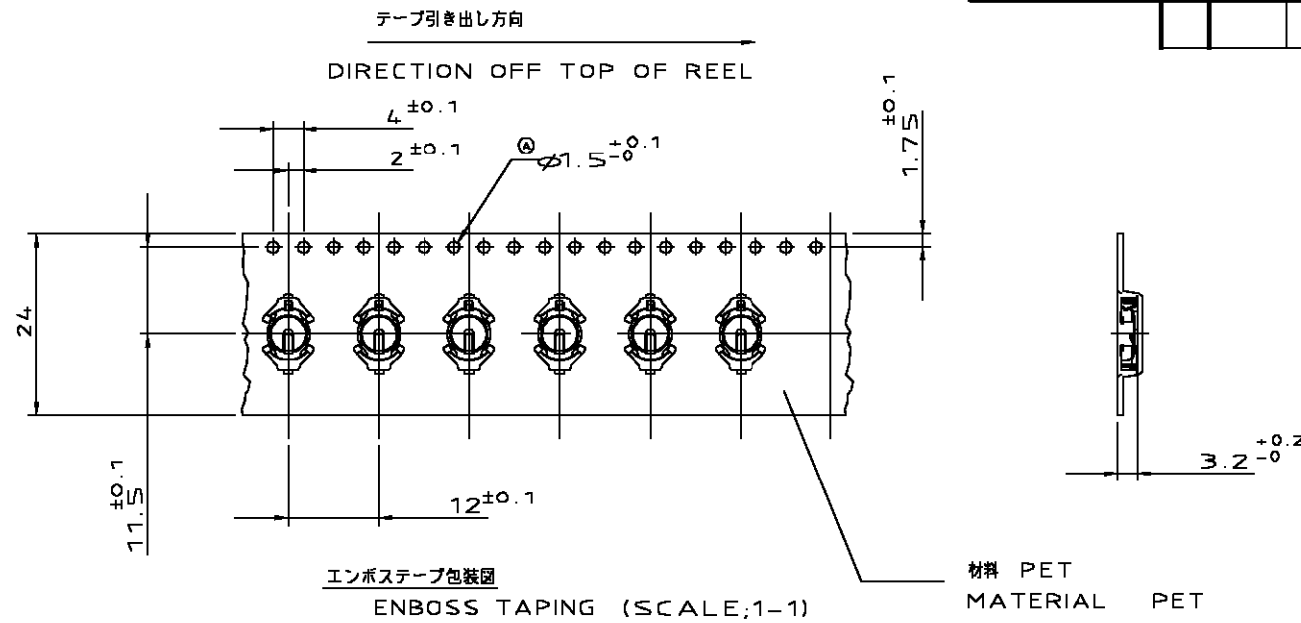


MATERIAL	NAME	ITEM
STAINLESS STEEL	- CONTACT	③
STAINLESS STEEL	+ CONTACT	②
THERMOPLASTIC (GREEN)	HOUSING	①

THIS DRAWING IS A CONTROLLED DOCUMENT.		DWN T.KIMURA 14APR00	Tyco Electronics AMP K.K. Kawasaki, Japan	
DIMENSIONS: 単位: 転 MM		CHK K.IKEGAMI 25APR00		
TOLERANCES UNLESS OTHERWISE SPECIFIED: 一般公差		APVD K.IKEGAMI 25APR00	NAME 名称 BATTERY HOLDER FOR ML621	
0 PLC ± 0.15 1 PLC ± 0.25 2 PLC ± 0.3 3 PLC ± - 4 PLC ± - ANGLES ± 3°		PRODUCT SPEC 製品規格 108-5697	SIZE A3	
MATERIAL 材料		APPLICATION SPEC 取付適用規格 114-5248	CAGE CODE 00779	DRAWING NO 番号 C-1376164
FINISH 仕上		WEIGHT 0.094	RESTRICTED TO -	
CUSTOMER DRAWING		SCALE 尺度 10:1		SHEET 1 OF 2
				REV B

THIS DRAWING IS UNPUBLISHED. RELEASED FOR PUBLICATION
 © COPYRIGHT BY TYCO ELECTRONICS CORPORATION. ALL RIGHTS RESERVED.

LOC	DIST	REVISIONS					
J	-	P	LTR	DESCRIPTION	DATE	DWN	APVD
				SEE 1 OF 2			



推奨基板パターン形状
RECOMMENDED PATTERN DIMENSION

THIS DRAWING IS A CONTROLLED DOCUMENT.		DWN T.KIMURA 14APROO	Tyco Electronics AMP K.K. Kawasaki, Japan
DIMENSIONS: 単位: 桁 MM		CHK K.IKEGAMI 25APROO	
		APVD K.IKEGAMI 25APROO	
TOLERANCES UNLESS OTHERWISE SPECIFIED: 一般公差		PRODUCT SPEC 製品規格	NAME 名称 BATTERY HOLDER FOR ML621
0 PLC ±0.15 1 PLC ±0.25 2 PLC ±0.3 3 PLC ±- 4 PLC ±- ANGLES ±3'		APPLICATION SPEC 取付適用規格	SIZE A3
MATERIAL 材料		WEIGHT	CAGE CODE 00779
FINISH 仕上		CUSTOMER DRAWING	DRAWING NO 番号 C-1376164
		SCALE 尺度	RESTRICTED TO -
		SHEET 2 OF 2	REV B

X-ON Electronics

Largest Supplier of Electrical and Electronic Components

Click to view similar products for [Cylindrical Battery Contacts, Clips, Holders & Springs](#) *category:*

Click to view products by [TE Connectivity](#) *manufacturer:*

Other Similar products are found below :

[753-00001](#) [12BH36A-GR](#) [200](#) [183](#) [270](#) [QX3506](#) [5220](#) [5230](#) [1055](#) [1088](#) [5250](#) [166](#) [591](#) [KT0008](#) [1119](#) [254TR](#) [5207](#) [1121](#) [246](#)
[4027003022001-PK](#) [1012](#) [1020](#) [1024](#) [1024C](#) [1075](#) [1077](#) [1080](#) [1088](#) [1090](#) [1096](#) [1097](#) [1098](#) [1109](#) [1126](#) [1127](#) [1128](#) [1162](#) [1173](#) [147](#) [148](#)
[149](#) [150](#) [151](#) [152](#) [153](#) [154](#) [155](#) [169](#) [171](#) [174](#)