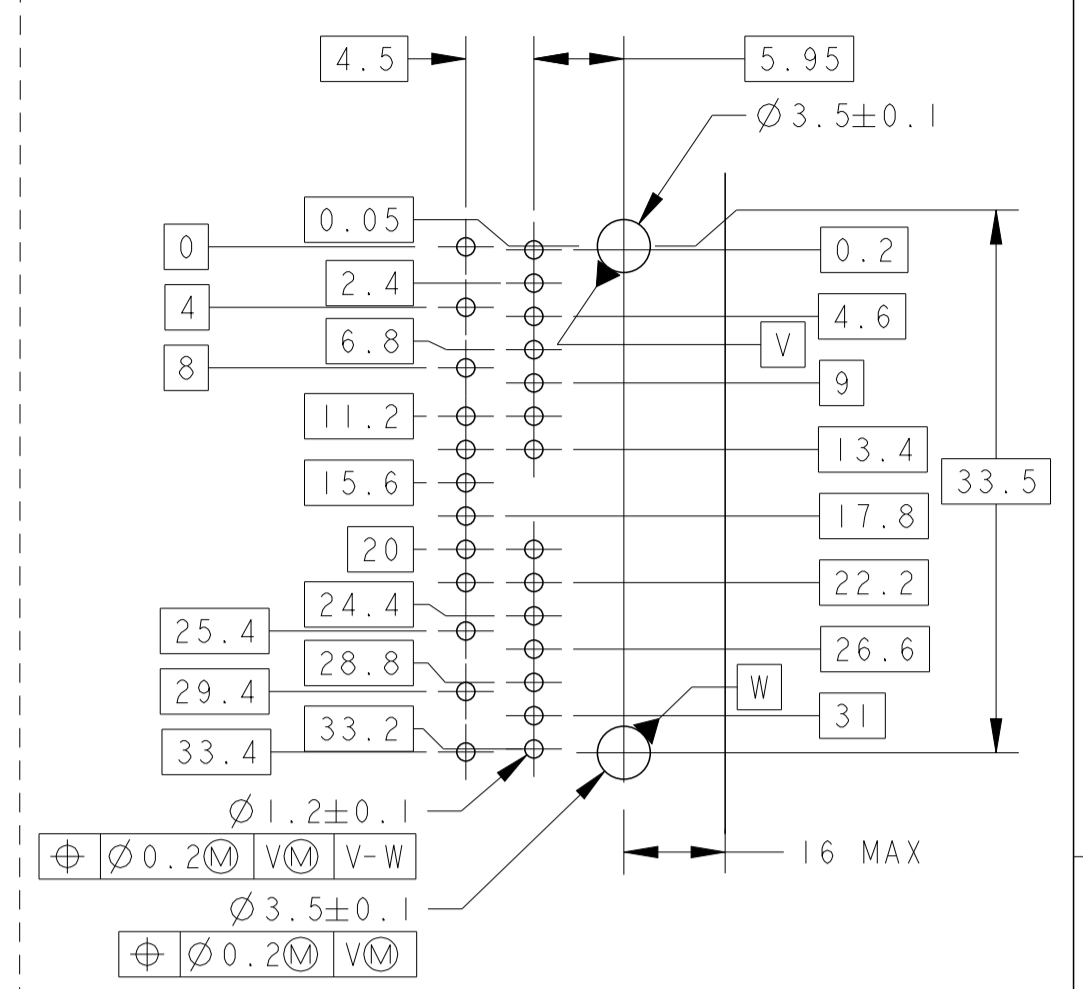
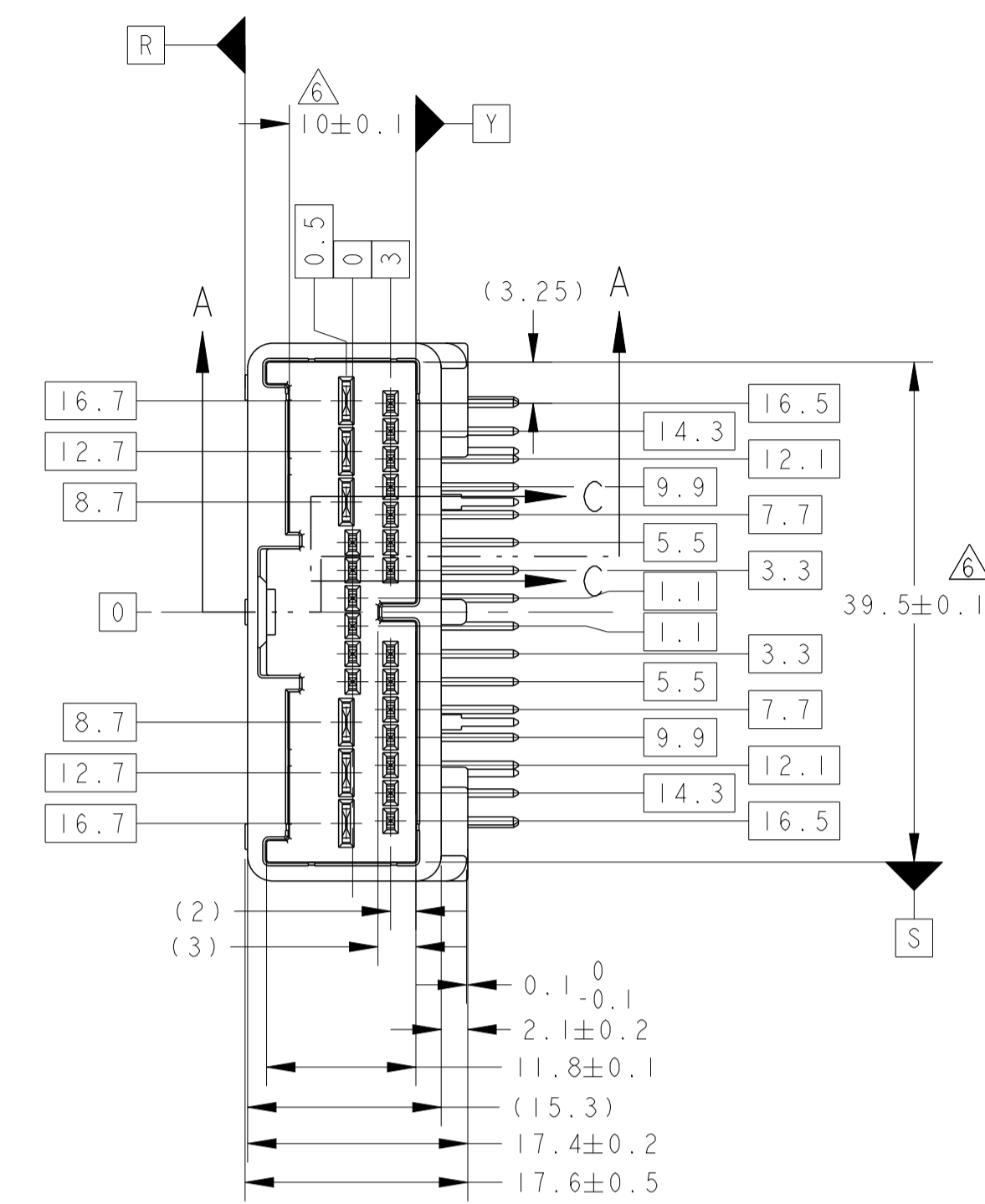
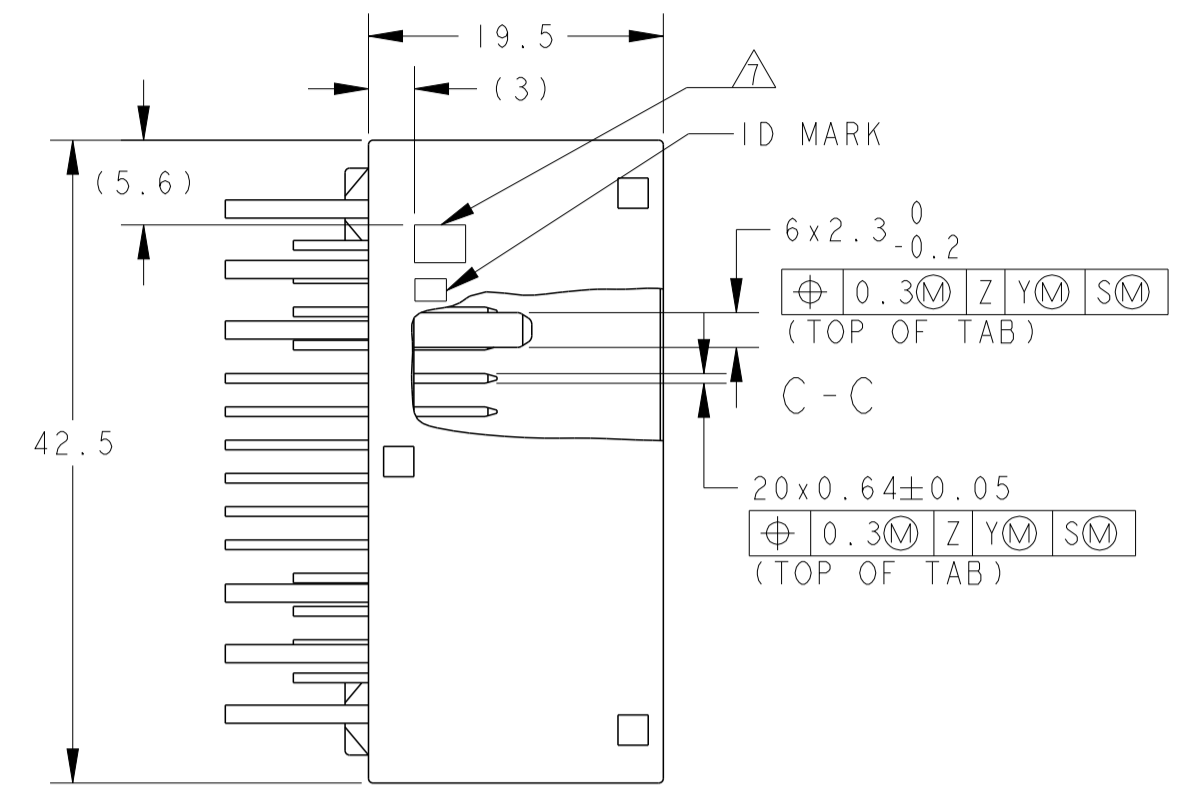
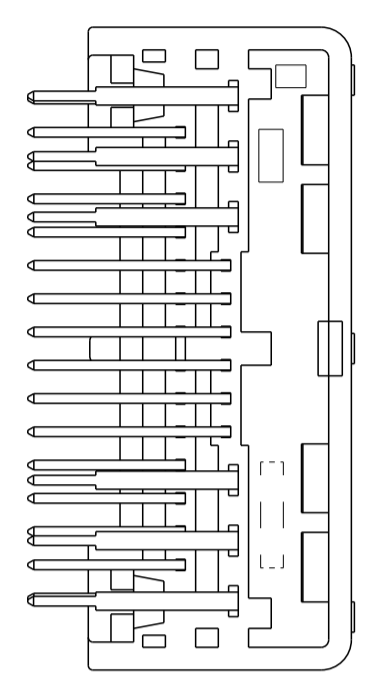
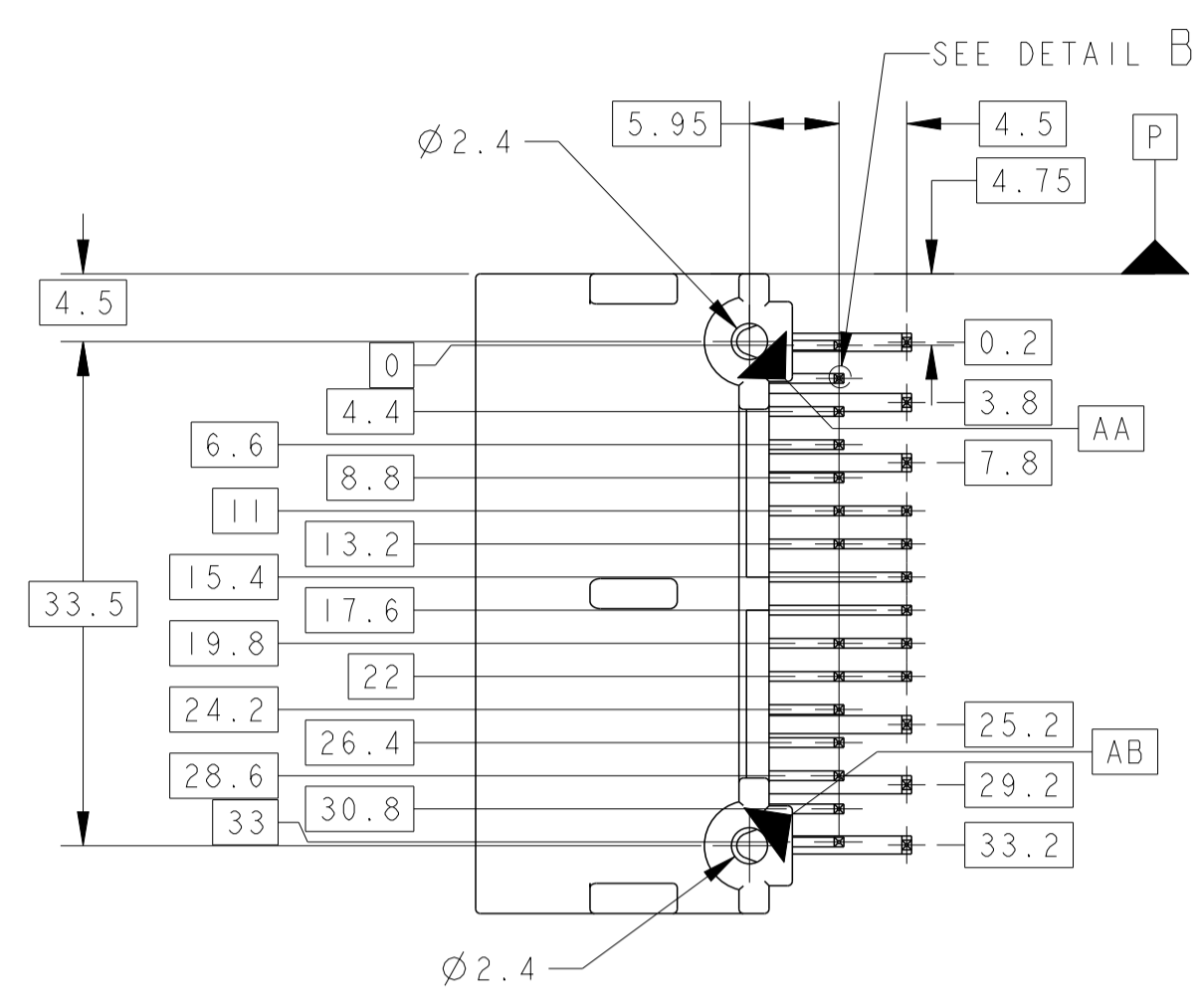
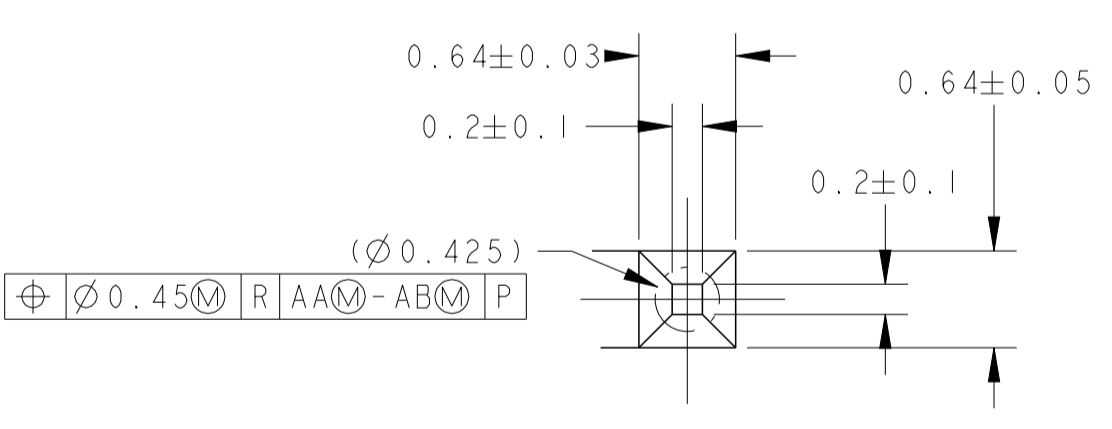
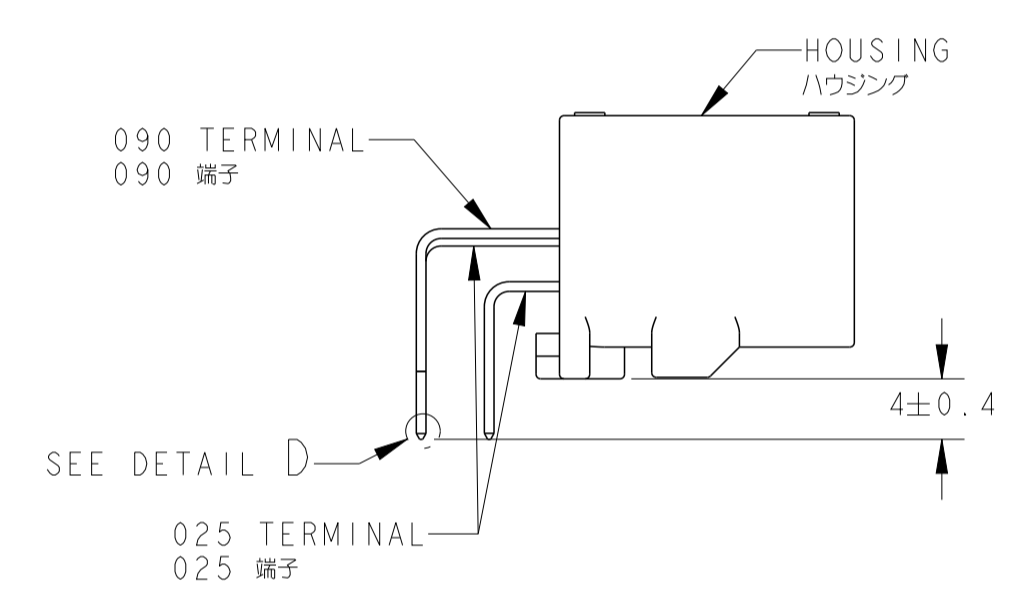
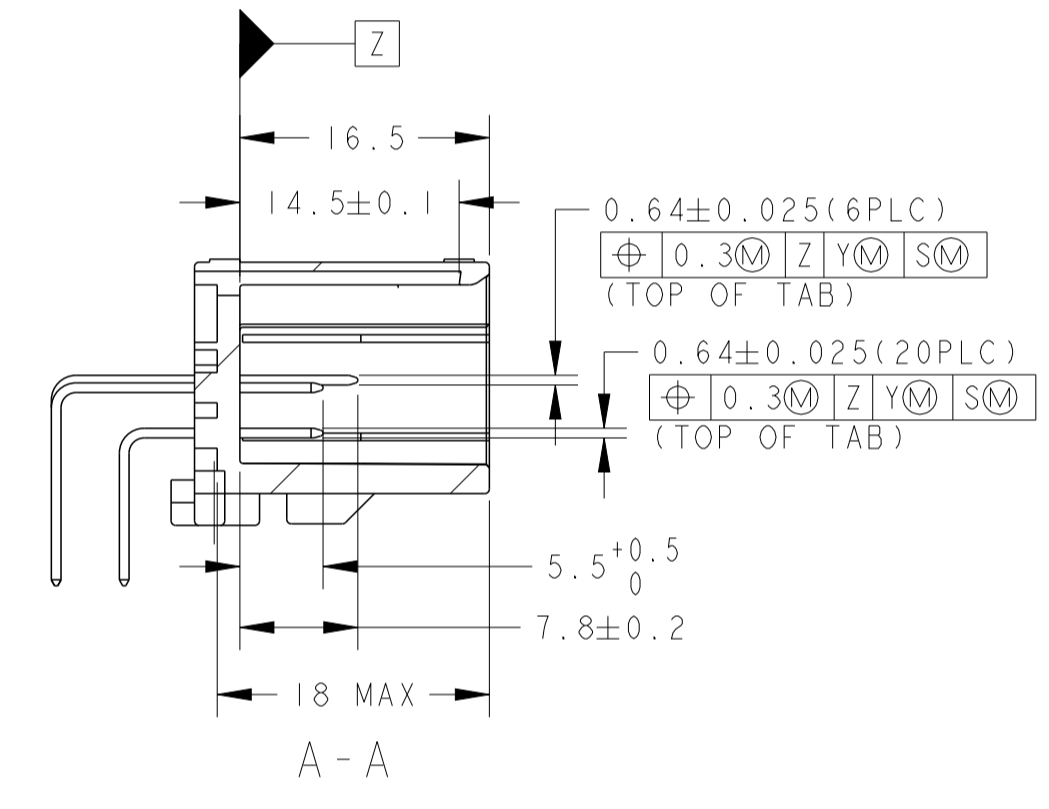


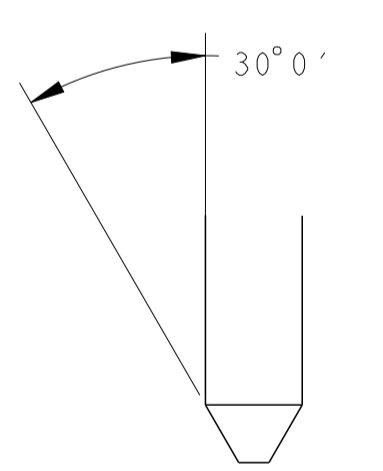
REV. NO.	DATE	BY	CHK	APPV
A1	31OCT07	AY	HY	
A2	11NOV13	YS	TK	
A3	28MAR16	TM	KK	
A4	31OCT2016	KF	HY	



プリント基板取付寸法図
 DIMENSION FOR P.C. BOARD



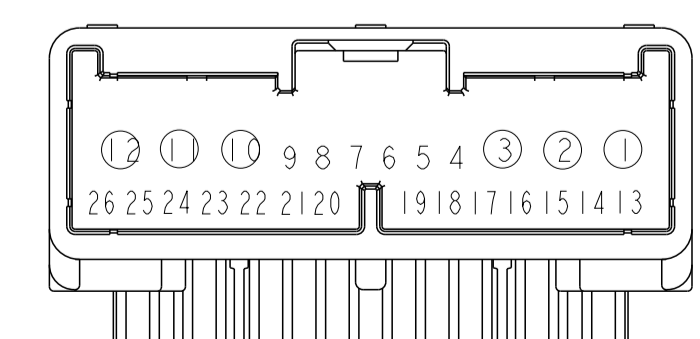
DETAIL B
 SCALE 20:1



DETAIL D
 SCALE 20:1

1. 嵌合相手コネクタ品番: 1376360
- △. 回路番号: FIG. 1 参照
3. 適用ねじ: JIS B1115, B1122タッピングねじ. なべ2種. 呼び径3. 長さはTABLE-2参照
4. ねじ締付トルク(参考): 0.392N・m MAX. 但し. 管理値は別途規定すること
5. 本製品の取扱は取扱説明書 No. 411-5927に従うこと
- △. [Z]より8mmの位置で測定.
- △. コンタクト仕上識別用マーク

1. MATING CONNECTOR PART NO.: 1376360
- △. CIRCUIT NUMBER: SEE FIG. 1
3. APPLICABLE SCREW: PAN-HEADED, TYPE2 TAPPING SCREW OF NOMINAL DIAMETER 3mm REFER TO JIS B1115, B1122 LENGTH: SEE TABLE-2
4. FASTENING TORQUE (FOR REFERENCE): 0.392N・m MAX BUT TORQUE FOR OPERATION SHOULD BE PROVIDED RESPECTIVELY
5. HANDLING OF THIS PART SHOULD FOLLOW INSTRUCTION SHEET No. 411-5927
- △. MEASURED AT 8mm FROM [Z]
- △. MARKING FOR DESCERMENT OF THE CONTACT FINISH



- ①: パワー回路用 (FOR POWER CIRCUIT)
- △: FIG. 1 CIRCUIT NUMBERS

TABLE-1

TABLE-1	SEE DWG 1376357-8	2-1376357-0
SEE DWG 1376357-8	SEE DWG 1376357-8	1-1376357-9
SEE DWG 1376357-8	SEE DWG 1376357-8	1-1376357-8
SEE DWG 1376357-8	SEE DWG 1376357-8	1-1376357-7
SEE DWG 1376357-8	SEE DWG 1376357-8	1-1376357-4
SEE DWG 1376357-8	SEE DWG 1376357-8	1-1376357-3
SEE DWG 1376357-8	SEE DWG 1376357-8	1-1376357-2
SEE DWG 1376357-8	SEE DWG 1376357-8	1-1376357-1
SEE DWG 1376357-8	SEE DWG 1376357-8	1-1376357-0
SEE DWG 1376357-8	SEE DWG 1376357-8	1376357-9
SEE DWG 1376357-8	SEE DWG 1376357-8	1376357-8

CARTON BOX	PLASTIC TUBE	62	SELECTIVE-TIN (MATTE)	-	1~3 10~12	18~23	-	4~9 13~17, 24~26	NATURAL 自然色	6376357-4	
PLASTIC BOX 通い箱	PLASTIC TUBE プラスチックチューブ	62	SELECTIVE-TIN (MATTE)	-	1~3 10~12	18~23	-	4~9 13~17, 24~26	NATURAL 自然色	6376357-2	
CARTON BOX タンポ-ル箱	PLASTIC TUBE プラスチックチューブ	7	SELECTIVE-TIN (MATTE)	-	1~3 10~12	4~9 18~23	-	13~17, 24~26	NATURAL 自然色	1-1376357-6	
PLASTIC BOX 通い箱	PLASTIC TUBE プラスチックチューブ	7	SELECTIVE-TIN (MATTE)	-	1~3 10~12	4~9 18~23	-	13~17, 24~26	NATURAL 自然色	1-1376357-5	
CARTON BOX タンポ-ル箱	PLASTIC TUBE プラスチックチューブ	2	PRE-TIN TIN-LEAD	1~3 10~12	-	18~23	4~9 13~17, 24~26	-	NATURAL 自然色	1376357-4	
CARTON BOX タンポ-ル箱	PLASTIC TUBE プラスチックチューブ	1	PRE-TIN	1~3 10~12	-	-	4~9 13~26	-	NATURAL 自然色	1376357-3	
PLASTIC BOX 通い箱	PLASTIC TUBE プラスチックチューブ	1	PRE-TIN	1~3 10~12	-	-	4~9 13~26	-	NATURAL 自然色	1376357-1	
OUTER 分装	INNER 内装										
PACKING STYLE 梱包形態			MARKING マーキング	SOLDERING SIDE 半田付け側	PRE-TIN 09011 TAB POWER	SELECTIVE-TIN	SELECTIVE GOLD	PRE-TIN 025 TAB SIGNAL	SELECTIVE-TIN	COLOR 色	PART NUMBER 型番
					CONTACT SIDE 接触面側						
					CONTACT FINISH 端子仕上げ						

THIS DRAWING IS A CONTROLLED DOCUMENT. DWN: R. NAGAI 14OCT2000
 CHK: T. HAYASHI 14OCT2000
 APVD: N. SAI 14OCT2000

DIMENSIONS: 単位: mm
 TOLERANCES UNLESS OTHERWISE SPECIFIED: 公差: ±0.3 mm

MATERIAL: PBT:BRASS
 FINISH: SEE TABLE-1

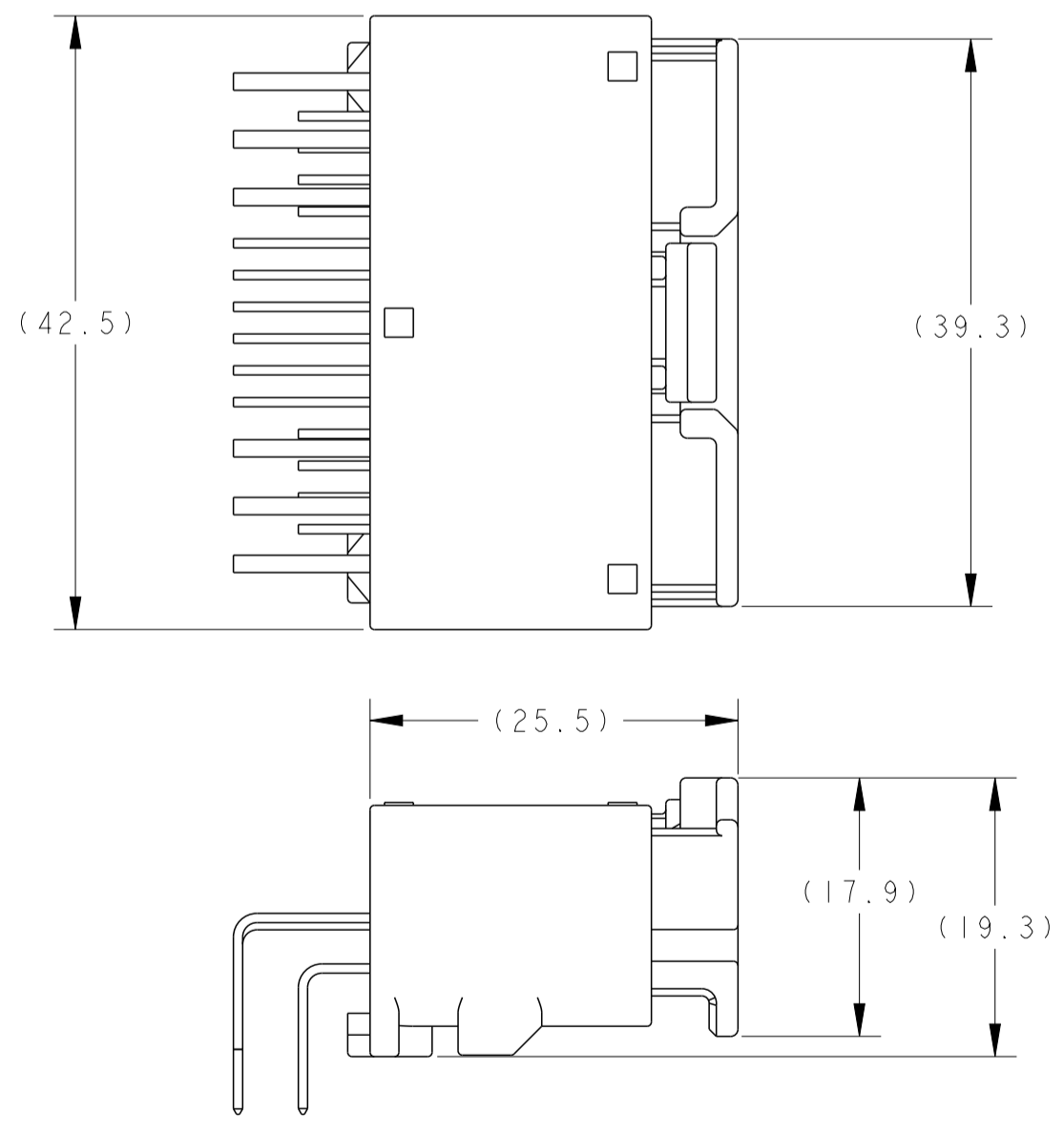
WEIGHT: 9.93 g
 CUSTOMER DRAWING

SIZE: A1
 CAGE CODE: 00779
 DRAWING NO: 1376357

RESTRICTED TO: A4

TE Connectivity
 025/090 SERIES CONNECTOR
 26POSITION CAP HOUSING ASSEMBLY

SCALE: 2:1 SHEET 1 OF 2 REV: A4



CAP ASSEMBLY AND PLUG ASSEMBLY ENGAGEMENT DRAWING
 キャップアッセンブリー & プラグアッセンブリー 嵌合図

THIS DRAWING IS A CONTROLLED DOCUMENT.		OWN R. NAGAI	14OCT2000	STE TE Connectivity												
DIMENSIONS: mm		CHK T. HAYASHI	14OCT2000													
TOLERANCES UNLESS OTHERWISE SPECIFIED: 公差 = ± 0.3		APVD N. SA	14OCT2000	NAME 025/090 SERIES CONNECTOR 26 POSITION CAP HOUSING ASSEMBLY												
<table border="1"> <tr><td>Ø-PLC</td><td>±</td></tr> <tr><td>H-PLC</td><td>+0.1</td></tr> <tr><td>Z-PLC</td><td>±0.01</td></tr> <tr><td>F-PLC</td><td>±0.001</td></tr> <tr><td>W-PLC</td><td>±0.001</td></tr> <tr><td>ANGLES</td><td>±0.001</td></tr> </table>		Ø-PLC	±	H-PLC	+0.1	Z-PLC	±0.01	F-PLC	±0.001	W-PLC	±0.001	ANGLES	±0.001	PRODUCT SPEC SEE 1 OF 2		RESTRICTED TO —
Ø-PLC	±															
H-PLC	+0.1															
Z-PLC	±0.01															
F-PLC	±0.001															
W-PLC	±0.001															
ANGLES	±0.001															
MATERIAL SEE 1 OF 2		APPLICATION SPEC SEE 1 OF 2		SIZE A3												
FINISH SEE 1 OF 2		WEIGHT SEE 1 OF 2		CAGE CODE 00779												
CUSTOMER DRAWING		DRAWING NO. C-1376357		SCALE 2:1												
		SHEET 2 OF 2		REV A4												

X-ON Electronics

Largest Supplier of Electrical and Electronic Components

Click to view similar products for [Automotive Connectors](#) category:

Click to view products by [TE Connectivity](#) manufacturer:

Other Similar products are found below :

[003-018-000](#) [60403001](#) [60993906-B](#) [M902-2131](#) [M902-2161](#) [72.330.1035.1](#) [73.353.4028.0](#) [F119300-B](#) [F166900](#) [F258300-B](#) [F358300-B](#)
[F407400](#) [F444110](#) [F487000](#) [F509500B-B](#) [827153-1](#) [8N1515-32-24P](#) [9-1326729-8](#) [925474-1](#) [928905-1](#) [964562-4](#) [968782-1](#) [GT17SA-8DS-](#)
[HU](#) [98891-1012](#) [98947-1016](#) [12004147](#) [12004475-L](#) [12010290](#) [12010309-B](#) [12015454](#) [12020219-B](#) [12020308](#) [12041318-B](#) [12052225-L](#)
[12052466](#) [12059125](#) [12064869](#) [12004327-B](#) [12010503-B](#) [12015308](#) [12015384](#) [12015909](#) [1-21030-1](#) [12041254](#) [12041318](#) [12047946-B](#)
[12047957](#) [12047957-L](#) [12059473](#) [12066261](#)