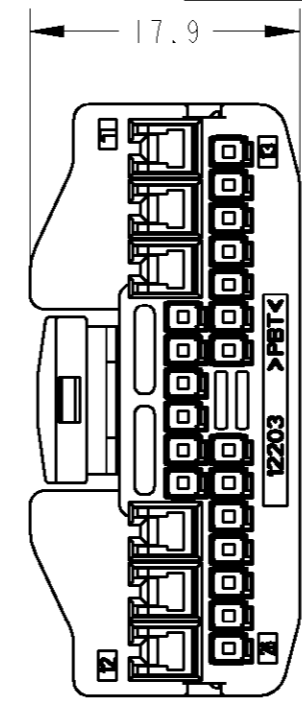
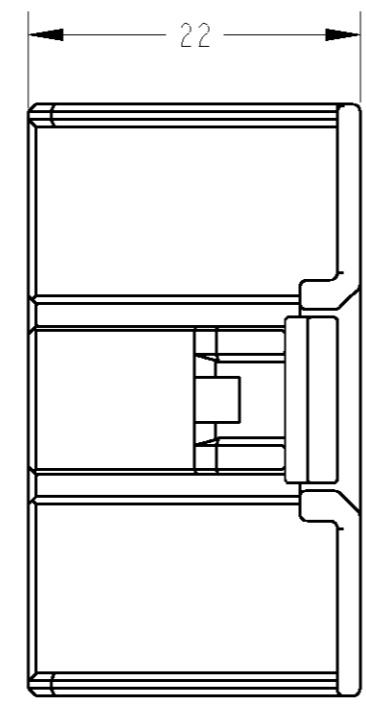
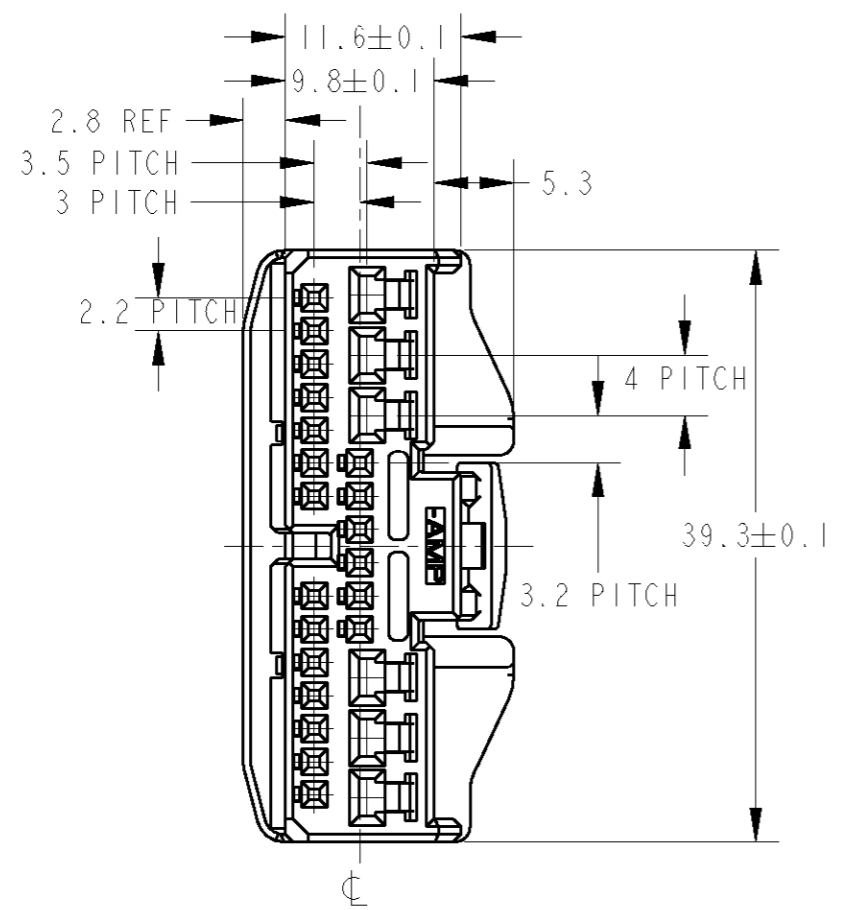


THIS DRAWING IS UNPUBLISHED. RELEASED FOR PUBLICATION 2000  
 © COPYRIGHT 2000 BY TYCO ELECTRONICS CORPORATION. ALL RIGHTS RESERVED.

LOC	DIST	REVISIONS						
		P	LTR	DESCRIPTION	DATE	DWN	APVD	
J	//		0	RELEASED	FJ00-1644-00	140CT2000	R.N	N.S



1. RETAINER SHOULD BE SET TO THE PRE-ASSEMBLY POSITION WITHIN THE PLUG HOUSING WHEN SHIPPED TO THE CUSTOMER
2. THE PRE-RETENTION LATCH OF THE RETAINER MUST BE OUT SIDE OF PLUG HOUSING WHEN PRE-ASSEMBLY
3. MATING CONNECTOR PART NO.: 1376357
4. DETAILS OF CAVITIES: SEE TABLE-2
5. HANDLING OF THIS PART SHOULD FOLLOW THE INSTRUCTION SHEET NO. 411-5927
6. APPLIED CONTACT PART NUMBER: SEE TABLE-2, 3

1. プラグハウジングにリテーナを仮係止して出荷される
2. 仮係止時、リテーナ突起がハウジングの外側に出ていること
3. 嵌合相手コネクタ品番: 1376357
4. キャビティ構成: TABLE-2参照
5. 本製品の取扱は取扱説明書NO. 411-5927に従うこと
6. 内装するリセパタクルコンタクト品番: TABLE-2, 3参照

TABLE-2

	POS 極数	APPLIED TERMINAL P/N 適用端子型番	APPLICABLE WIRE RANGE 適用電線
SIGNAL 025	20	1123343-1(TIN) 1123343-2(SELECTIVE GOLD)	CAVS 0.22-0.5mm <sup>2</sup> AVSS/CAVUS 0.3-0.5mm <sup>2</sup> AVSSH-F 0.3-0.5mm <sup>2</sup>
POWER 09011	6	S : SEE TABLE-3(TIN)	CAVUS 0.3-0.5mm <sup>2</sup> CAVS/AVSS 0.3-0.5mm <sup>2</sup> AVS 0.3-0.5mm <sup>2</sup>
		M : SEE TABLE-3(TIN)	CAVUS 0.5-1.25mm <sup>2</sup> CAVS/AVSS 0.5-1.25mm <sup>2</sup> AVS 0.5-1.25mm <sup>2</sup>
		L : SEE TABLE-3(TIN)	AVSS 2mm <sup>2</sup>

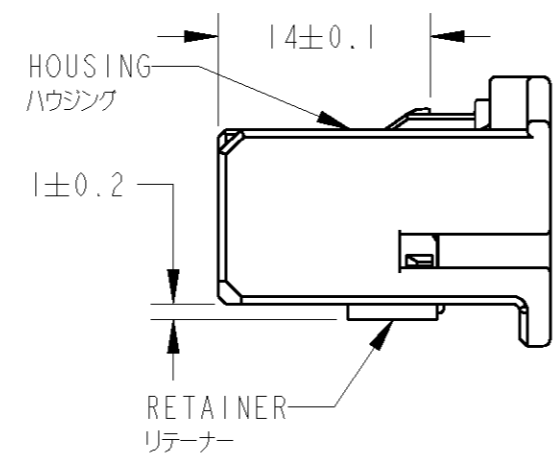


TABLE-1

CARTON BOX ダンボール箱	PLASTIC BAG ビニール袋	NATURAL 自然色	1376360-1
OUTER 外表	INNER 内装	COLOR 色	PART NUMBER 型番
PACKING STYLE 梱包形態			

TABLE-3

CONTACT MAKER 使用端子メーカー	CONTACT SIZE 端子サイズ		
	S	M	L
YAZAKI PARTS CO., LTD. 矢崎部品(株)殿	7116-4020	7116-4021	7116-4022
SUMITOMO WIRING SYSTEMS, LTD. 住友電装(株)殿	8240-4882	8240-4892	8240-4942
TOKAI RIKI CO., LTD. (株)東海理化電機製作所殿	4R1190-0004E	4R1191-0004E	4R1192-0005F

THIS DRAWING IS A CONTROLLED DOCUMENT FOR TYCO ELECTRONICS CORPORATION IT IS SUBJECT TO CHANGE AND THE CONTROLLING ENGINEERING ORGANIZATION SHOULD BE CONTACTED FOR THE LATEST REVISION.

DIMENSIONS: mm	TOLERANCES UNLESS OTHERWISE SPECIFIED: 一般公差 = ± 0.3	DWN R. NAGAI 140CT2000	Tyco Electronics AMP K.K. Kawasaki, Japan
	0-PLC ±	CHK T. HAYASHI 140CT2000	
	1-PLC ±0.1	APVD N. SAI 140CT2000	
	2-PLC ±0.01	PRODUCT SPEC 108-5667	
MATERIAL PBT	FINISH SEE TABLE-1	APPLICATION SPEC 114-5250	NAME 025/090 SERIES CONNECTOR 26POSITION PLUG HOUSING ASSEMBLY
		WEIGHT 7.02 g	SIZE A3
		CUSTOMER DRAWING	CAGE CODE 00779
			DRAWING NO 1376360
			RESTRICTED TO //
			SCALE 2:1
			SHEET 1
			OF 1
			REV 0

## X-ON Electronics

Largest Supplier of Electrical and Electronic Components

*Click to view similar products for [Automotive Connectors](#) category:*

*Click to view products by [TE Connectivity](#) manufacturer:*

Other Similar products are found below :

[003-018-000](#) [60403001](#) [60993906-B](#) [M902-2131](#) [M902-2161](#) [72.330.1035.1](#) [73.353.4028.0](#) [F119300-B](#) [F166900](#) [F258300-B](#) [F358300-B](#)  
[F407400](#) [F444110](#) [F487000](#) [F509500B-B](#) [827153-1](#) [8N1515-32-24P](#) [9-1326729-8](#) [925474-1](#) [928905-1](#) [964562-4](#) [968782-1](#) [GT17SA-8DS-](#)  
[HU](#) [98891-1012](#) [98947-1016](#) [12004147](#) [12004475-L](#) [12010290](#) [12010309-B](#) [12015454](#) [12020219-B](#) [12020308](#) [12041318-B](#) [12052225-L](#)  
[12052466](#) [12059125](#) [12064869](#) [12004327-B](#) [12010503-B](#) [12015308](#) [12015384](#) [12015909](#) [1-21030-1](#) [12041254](#) [12041318](#) [12047946-B](#)  
[12047957](#) [12047957-L](#) [12059473](#) [12066261](#)