

THIS DRAWING IS UNPUBLISHED.

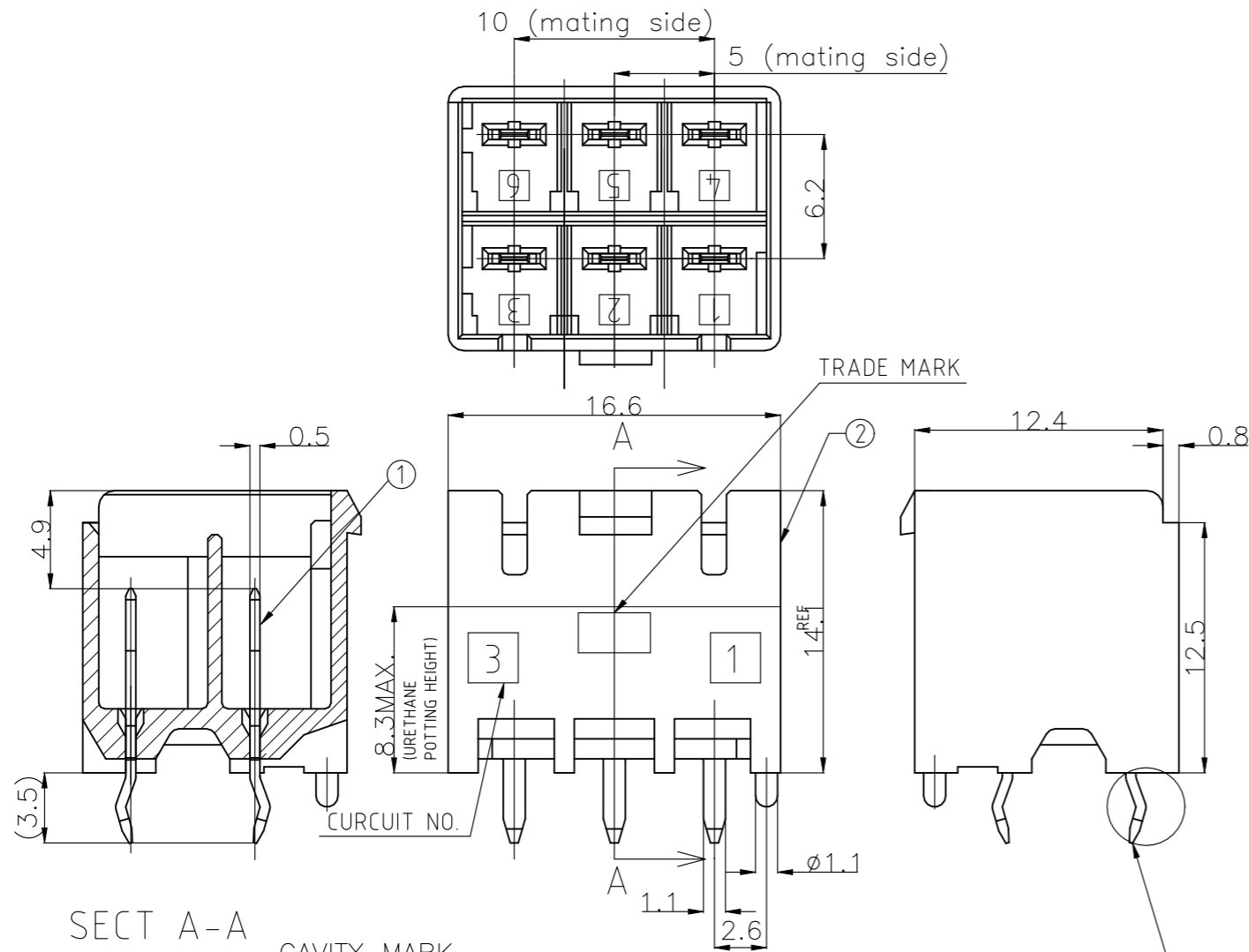
RELEASED FOR PUBLICATION

ALL RIGHTS RESERVED.

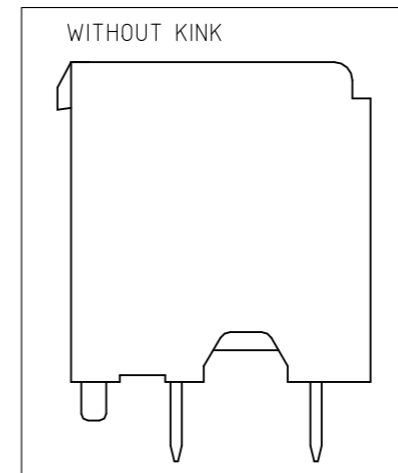
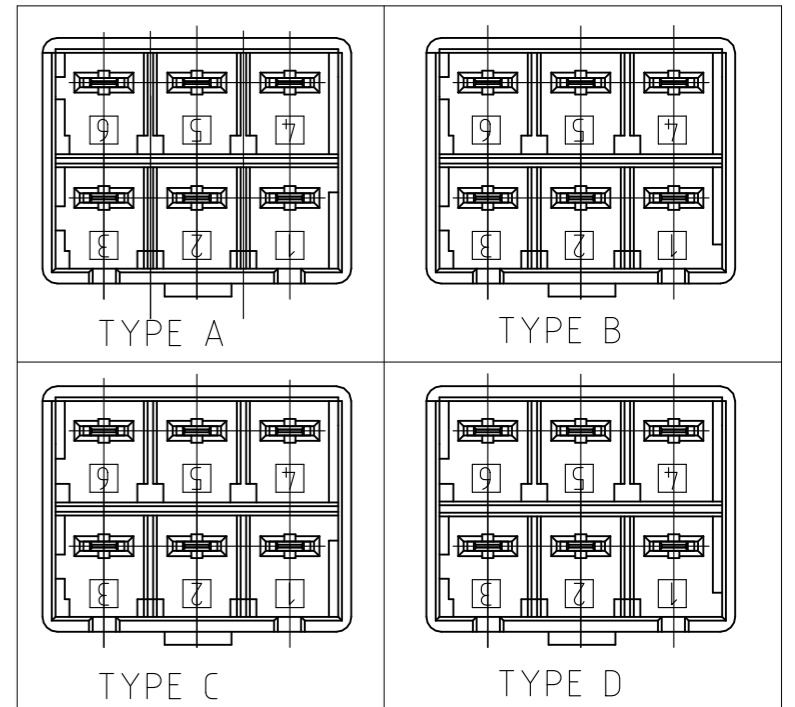
© COPYRIGHT - By -

REVISIONS

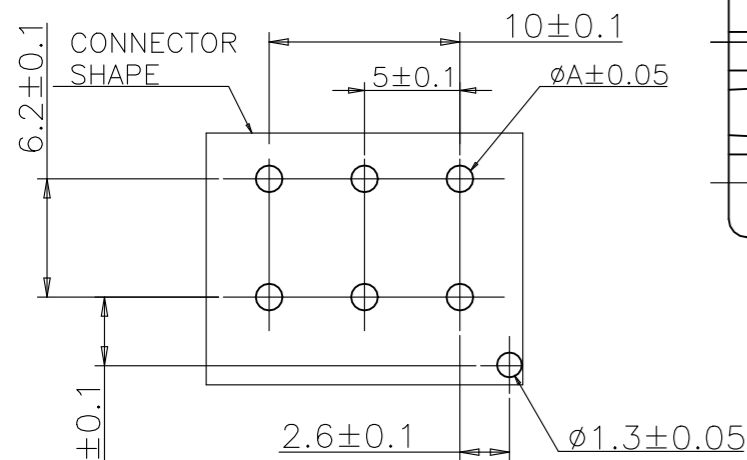
P	LTR	DESCRIPTION	DATE	DWN	APVD
	F2	REVISED PER ECR-21-101026	23MAR2021	SK	DZ



THE TYPE OF KEYING



SECT A-A



NO.	NAME	MATERIAL
②	HEADER HOUSING	6/6 NYLON GRASS FILLED
①	TAB	COPPER ALLOY TIN PLATED

△5	MATING CONN. P/N	WITH/WITHOUT KINK	TYPE OF KEYING	Color	Pos	PART NO.
△5	3-1376393-4	WITHOUT KINK	TYPE D	YELLOW	6Pos	8-1376387-4
△5	2-1376393-3	WITHOUT KINK	TYPE C	BLUE	6Pos	7-1376387-3
△5	1-1376393-2	WITHOUT KINK	TYPE B	RED	6Pos	6-1376387-2
△5	1376393-1	WITHOUT KINK	TYPE A	NATURAL	6Pos	5-1376387-1
△5	3-1376393-4	WITH KINK	TYPE D	YELLOW	6Pos	3-1376387-4
△5	2-1376393-3	WITH KINK	TYPE C	BLUE	6Pos	2-1376387-3
△5	1-1376393-2	WITH KINK	TYPE B	RED	6Pos	1-1376387-2
△5	1376393-1	WITH KINK	TYPE A	NATURAL	6Pos	1376387-1

- △1 RECOMMENDED P.C.B LAY OUT.
- △2 APPLICABLE P.C.B. THICKNESS:1.6.
- △3 MATING CONN. P/N PLUG HOUSING :SEE TABLE.
- 4 PARTS MEET IEC 60335-1 (GWT GLOW WIRE TEST 750 DEGREE SPEC). NYLON 66, GWT, V-0.
- △5

	DIM A
PUNCHING	1.25
DRILLING	1.4

RECOMMEDED PCB HOLES

THIS DRAWING IS A CONTROLLED DOCUMENT.

DWN A.OISHI 20MAR2003	TE Connectivity <b>5.0 POWER KEY CONNECTOR 6P HEADER ASSEMBLY (2ROW)</b>
CHK Y.KASHIWA 28AUG'00	
APVD Y.KASHIWA 28AUG'00	
PRODUCT SPEC 108-5699	
MATERIAL SEE TABLE	APPLICATION SPEC 114-5292
CUSTOMER DRAWING	

SIZE A3	CAGE CODE 00779	DRAWING NO C-1376387	RESTRICTED TO -
SCALE 3:1		SHEET 1 OF 2	REV F2



## X-ON Electronics

Largest Supplier of Electrical and Electronic Components

*Click to view similar products for [Power to the Board](#) category:*

*Click to view products by [TE Connectivity](#) manufacturer:*

Other Similar products are found below :

[6450171-4](#) [6450552-7](#) [6600323-8](#) [6643429-1](#) [6646040-2](#) [6651939-1](#) [6766604-1](#) [120959-1](#) [1393557-2](#) [1393532-2](#) [1393532-3](#) [1393532-4](#)  
[1393557-1](#) [1600812-5](#) [1-6450861-2](#) [1744132-7](#) [1761122-1](#) [1766250-1](#) [1892109-1](#) [2-6450860-5](#) [2-6450870-0](#) [1-6450161-4](#) [1-6450850-6](#) [1-6450869-6](#) [1645526-2](#) [1-6600130-0](#) [2005243-2](#) [377-0020-11130](#) [TE34-12-16P-F0](#) [5-6450830-6](#) [5646956-4](#) [377-0080-11131A](#) [4-6450830-9](#)  
[4-6600333-3](#) [10125416-4050LF](#) [6600320-3](#) [3-6450860-5](#) [1888123-2](#) [6450166-1](#) [6643978-1](#) [6766605-1](#) [701-15-02109](#) [N11444](#) [6651938-1](#)  
[6450810-7](#) [46437-1112](#) [1-1589677-8](#) [5646956-5](#) [6450813-2](#) [6450129-4](#)