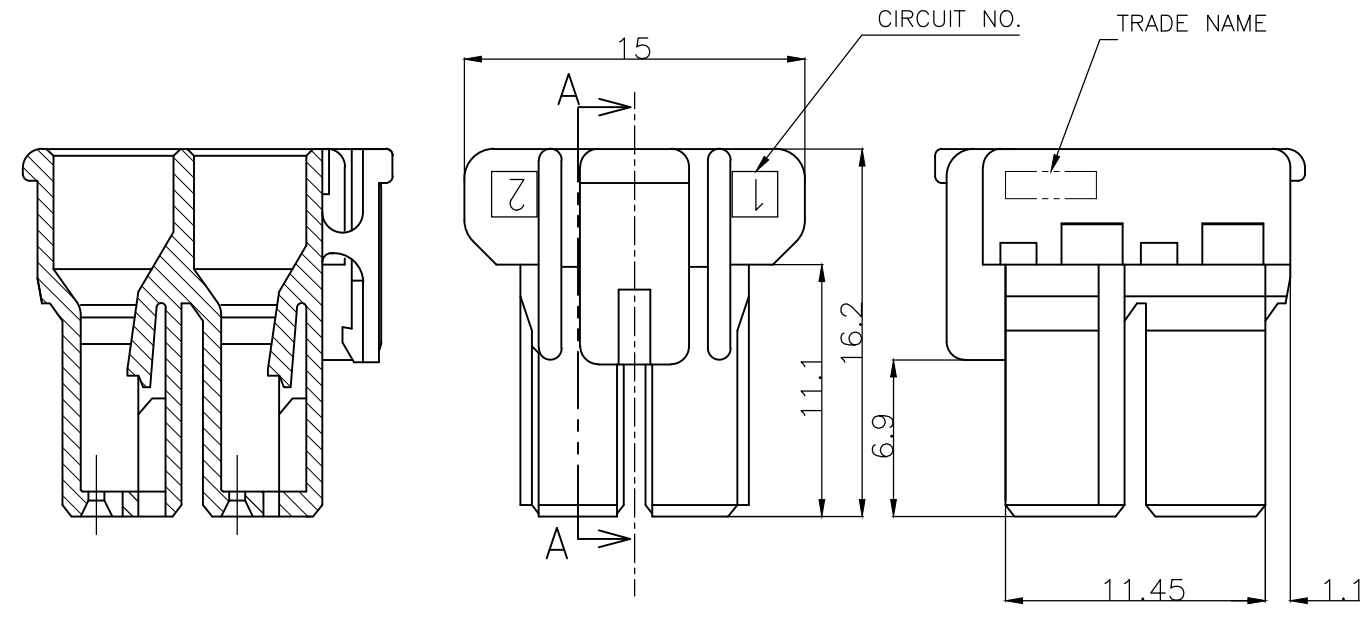
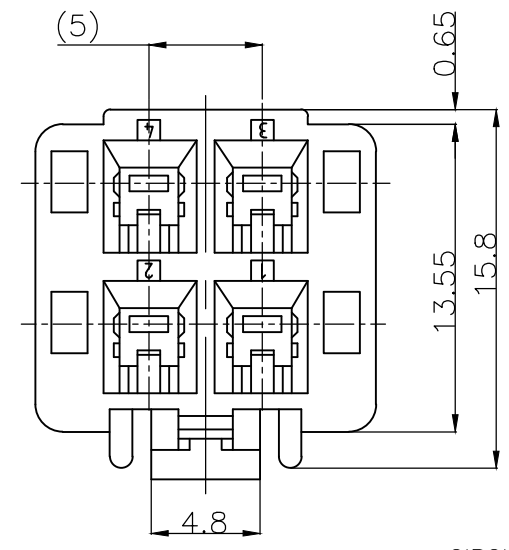
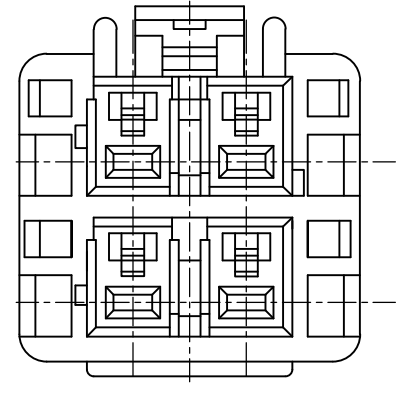


THIS DRAWING IS UNPUBLISHED. RELEASED FOR PUBLICATION
 © COPYRIGHT - By - ALL RIGHTS RESERVED.

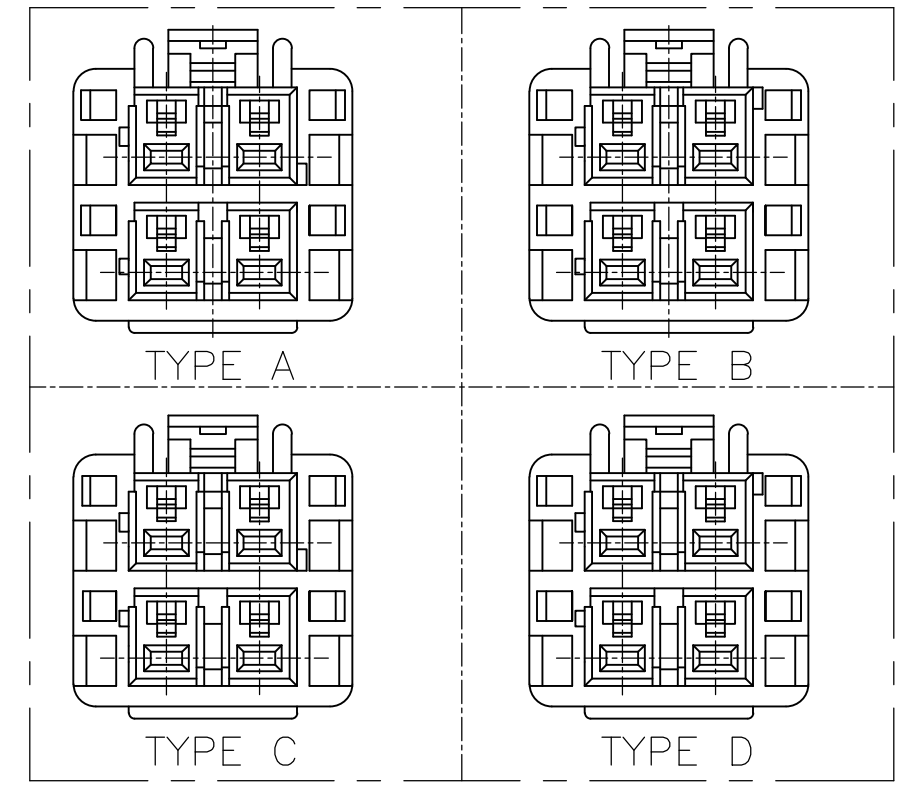
REVISIONS					
P	LTR	DESCRIPTION	DATE	DWN	APVD
	C3	REVISED PER ECO-17-008188	4JAN2018	C.X	D.Z



SECT A-A



THE TYPE OF KEYING



- 1 MATING CONN. P/N
 HEADER ASS'Y :SEE TABLE
 REC CONTACT ;1376347-1,1376348-1
- 2 PARTS MEET IEC 60335-1 (GWT GLOW WIRE TEST 750 DEGREE SPEC)
- 3 NYLON 66, GWT, V-0.

(HOSING)	(6/6 NYLON GRASS FILLED)
(NAME)	(MATERIAL)

3	1376394-1	3-1376386-4	TYPE D	YELLOW	4Pos	3-1376392-4
3	1376394-1	2-1376386-3	TYPE C	BLUE	4Pos	2-1376392-3
3	1376394-1	1-1376386-2	TYPE B	RED	4Pos	1-1376392-2
3	1376394-1	1376386-1	TYPE A	NATURAL	4Pos	1376392-1
	APPLICABLE PLATE. P/N	MATING CONN. P/N	THE TYPE OF KEYING	Color	Pos	PART NO.

THIS DRAWING IS A CONTROLLED DOCUMENT.		DWN A.OISHI 31AUG00	TE Connectivity			
DIMENSIONS: mm		CHK Y.KASHIWA 28AUG'00				
TOLERANCES UNLESS OTHERWISE SPECIFIED:		APVD Y.KASHIWA 28AUG'00	PRODUCT SPEC			5.0 POWER KEY CONNECTOR 4P PLUG HOUSING(2ROW)
0 PLC ± 0.2 1 PLC ± 0.2 2 PLC ± 0.2 3 PLC ± 4 PLC ± ANGLES ± 1°		APPLICATION SPEC			SIZE A3	
MATERIAL SEE TABLE		WEIGHT				CAGE CODE 00779
FINISH SEE TABLE		CUSTOMER DRAWING			RESTRICTED TO -	
		SCALE 3:1			SHEET 1 OF 2	REV C3

THIS DRAWING IS UNPUBLISHED.

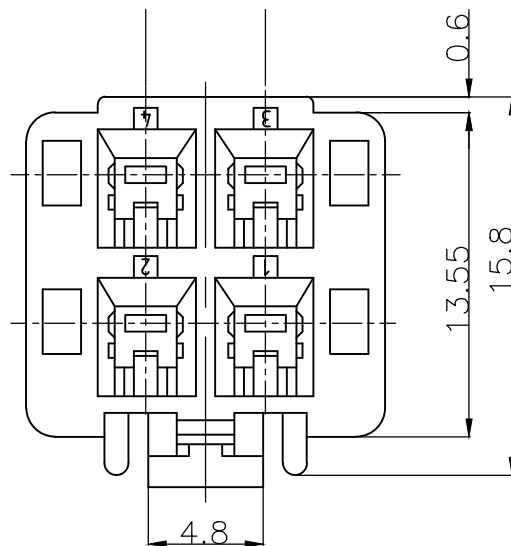
RELEASED FOR PUBLICATION

ALL RIGHTS RESERVED.

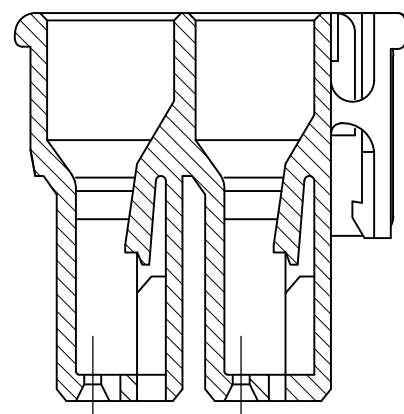
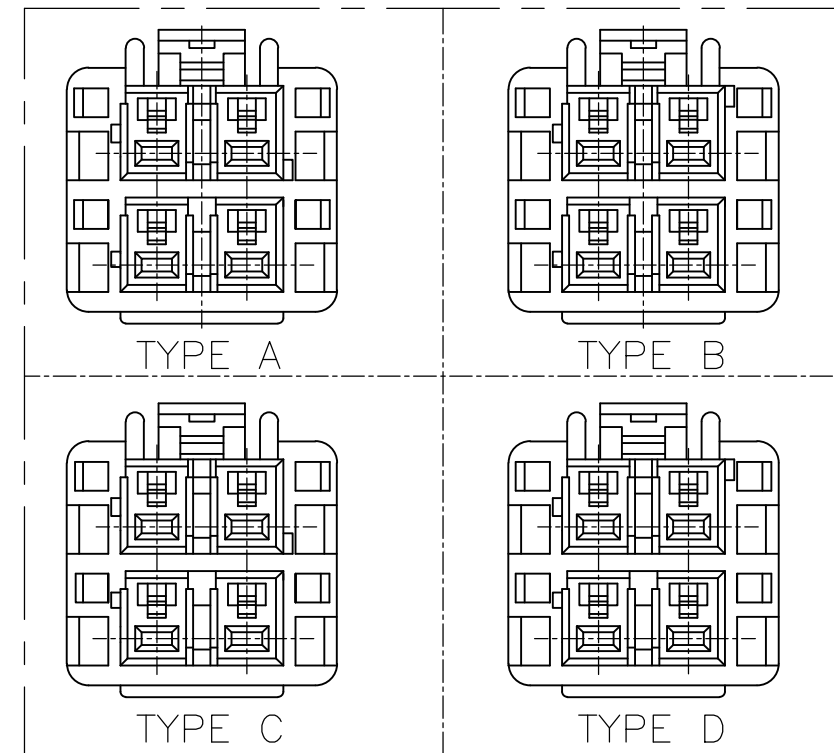
© COPYRIGHT - By -

REVISIONS

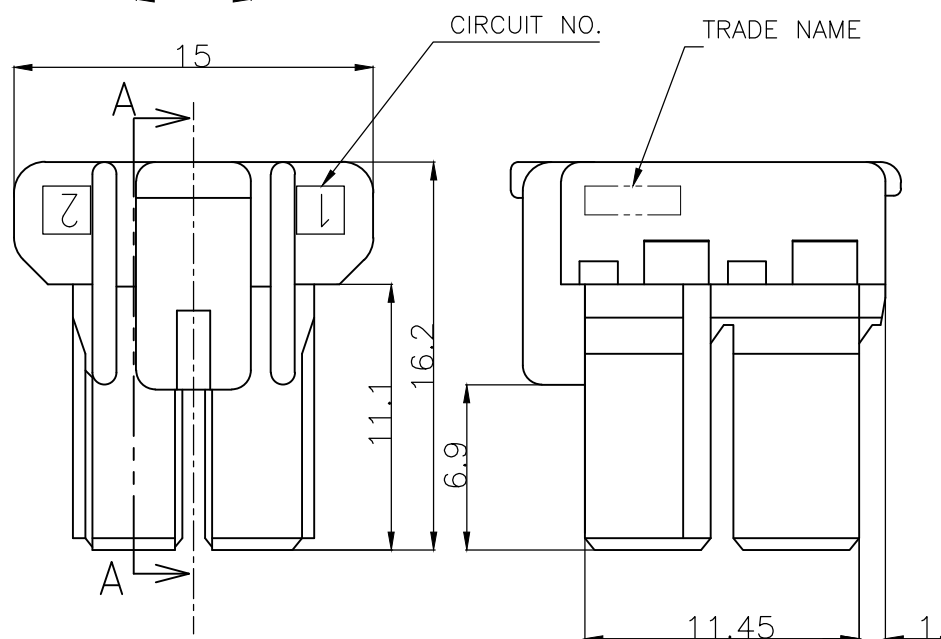
P	LTR	DESCRIPTION	DATE	DWN	APVD
-	-	SEE SHEET 1	-	-	-



THE TYPE OF KEYING



SECT A-A



1 MATING CONN. P/N
 HEADER ASS'Y :SEE TABLE
 REC CONTACT ;1376347-1,1376348-1

HOSING	6 / 6 NYLON
(NAME)	(MATERIAL)

1376394-1	3-1376386-5	TYPE D	YELLOW	4Pos	3-1376392-5
1376394-1	2-1376386-4	TYPE C	BLUE	4Pos	2-1376392-4
1376394-1	1-1376386-3	TYPE B	RED	4Pos	1-1376392-3
1376394-1	1376386-2	TYPE A	NATURAL	4Pos	1376392-2
APPLICABLE PLATE. P/N	MATING CONN. P/N	THE TYPE OF KEYING	Color	Pos	PART NO.

THIS DRAWING IS A CONTROLLED DOCUMENT.		DWN A.OISHI 31AUG'00	STE TE Connectivity		
DIMENSIONS: mm		CHK Y.KASHIWA 28AUG'00			
TOLERANCES UNLESS OTHERWISE SPECIFIED:		APVD Y.KASHIWA 28AUG'00	NAME 5.0 POWER KEY CONNECTOR 4P PLUG HOUSING(2ROW)		
0 PLC ± 0.2 1 PLC ± 0.2 2 PLC ± 0.2 3 PLC ± 4 PLC ±		PRODUCT SPEC 108-78863	APPLICATION SPEC		
ANGLES ± 1°		114-5292	SIZE A3	CAGE CODE 00779	DRAWING NO C-1376392
MATERIAL SEE TABLE		FINISH SEE TABLE	WEIGHT A3		RESTRICTED TO -
CUSTOMER DRAWING			SCALE 3:1	SHEET 2 OF 2	REV C2

X-ON Electronics

Largest Supplier of Electrical and Electronic Components

Click to view similar products for [Power to the Board](#) category:

Click to view products by [TE Connectivity](#) manufacturer:

Other Similar products are found below :

[6450171-4](#) [6450552-7](#) [6600323-8](#) [6643429-1](#) [6646040-2](#) [6651939-1](#) [6766604-1](#) [120959-1](#) [1393557-2](#) [1393532-2](#) [1393532-3](#) [1393532-4](#)
[1393557-1](#) [1600812-5](#) [1-6450861-2](#) [1744132-7](#) [1761122-1](#) [1766250-1](#) [1892109-1](#) [2-6450860-5](#) [2-6450870-0](#) [1-6450161-4](#) [1-6450850-6](#) [1-](#)
[6450869-6](#) [1645526-2](#) [1-6600130-0](#) [2005243-2](#) [377-0020-11130](#) [TE34-12-16P-F0](#) [51700-10201602AALF](#) [5-6450830-6](#) [5646956-4](#) [377-](#)
[0080-11131A](#) [4-6450830-9](#) [4-6600333-3](#) [10125416-4050LF](#) [10130248-005LF](#) [6600320-3](#) [3-6450860-5](#) [1888123-2](#) [6450166-1](#) [6643978-1](#)
[6766605-1](#) [701-15-02109](#) [N11444](#) [6651938-1](#) [6450810-7](#) [46437-1112](#) [1-1589677-8](#) [5646956-5](#)