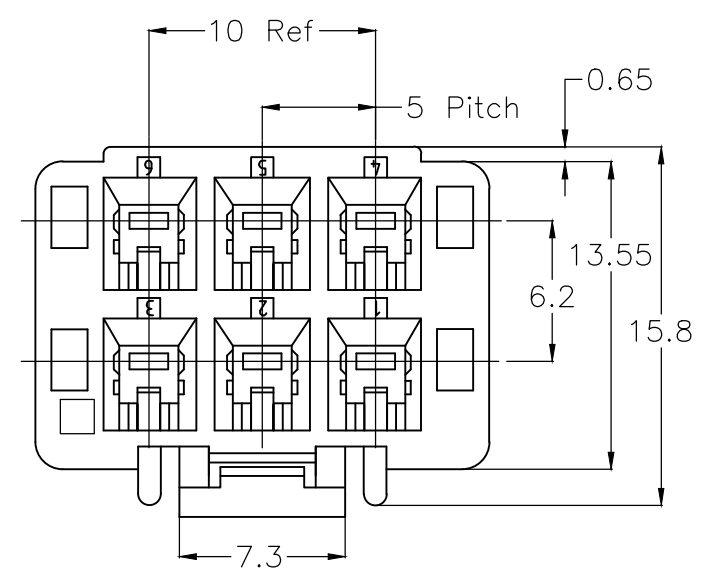


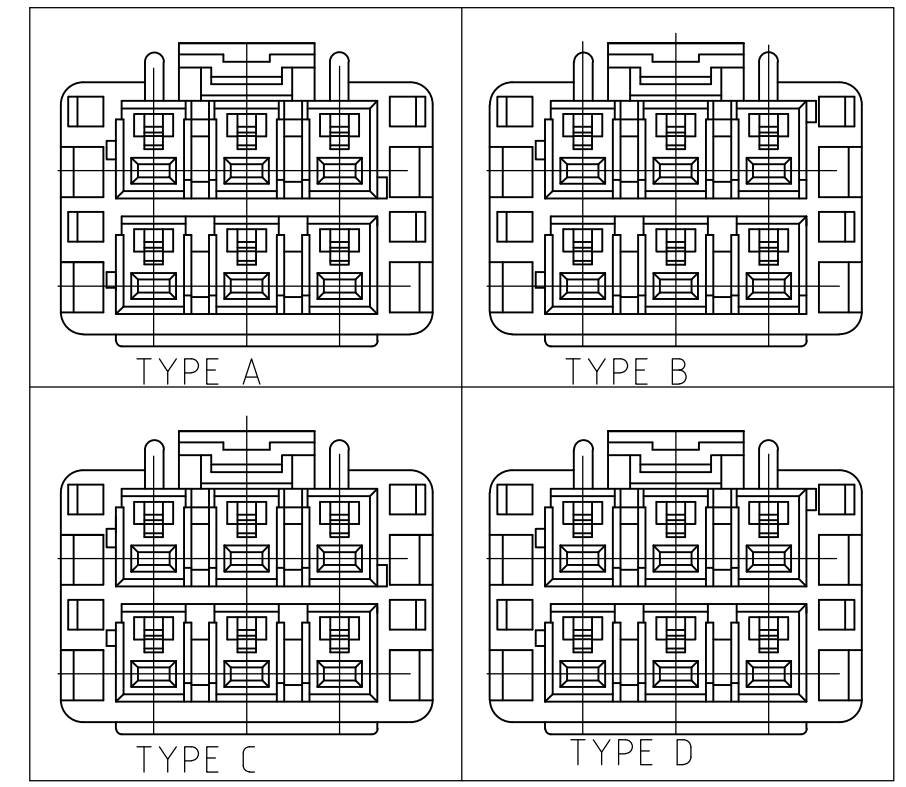
THIS DRAWING IS UNPUBLISHED. RELEASED FOR PUBLICATION  
 © COPYRIGHT - By - ALL RIGHTS RESERVED.

REVISIONS					
P	LTR	DESCRIPTION	DATE	DWN	APVD
C1		REVISED PER ECO-17-008188	10NOV2017	C.X	D.Z

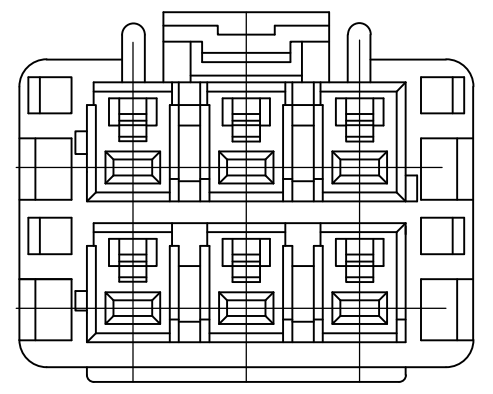
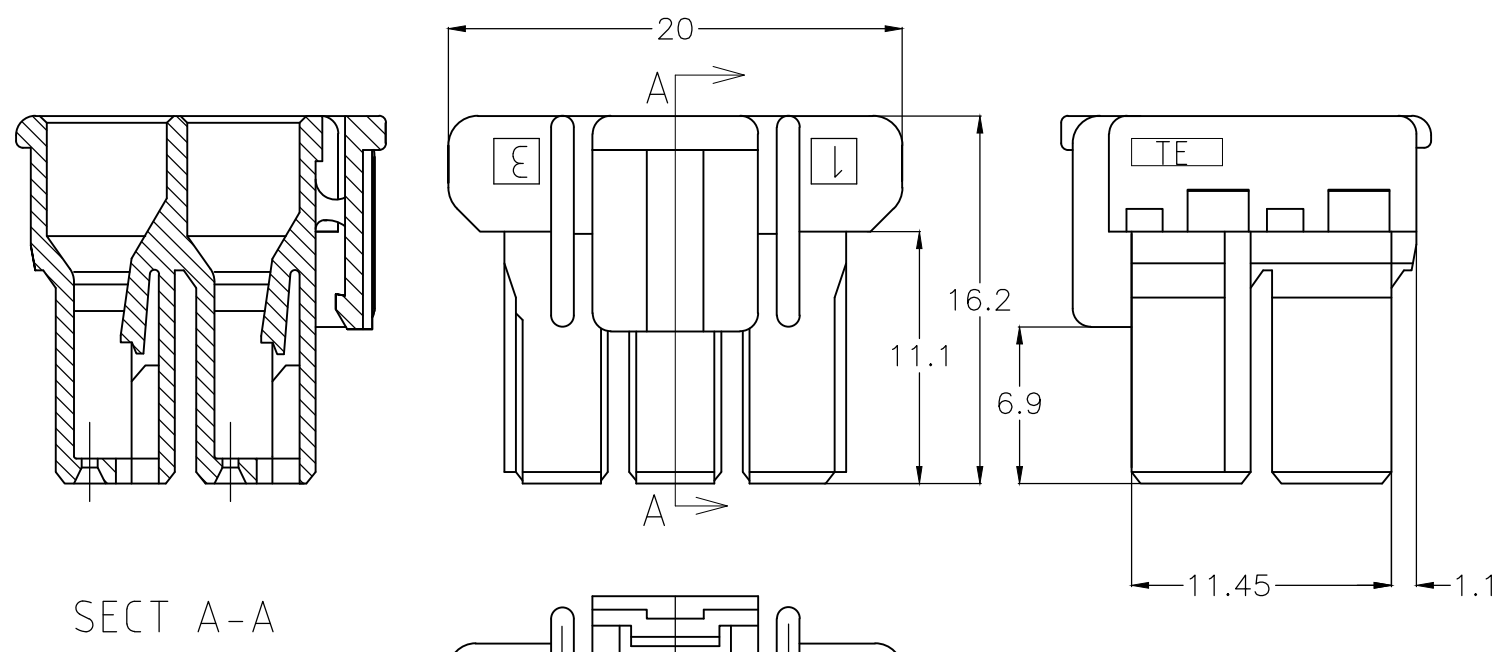


- 1 MATING CONN. P/N  
HEADER ASS'Y :SEE TABLE  
REC CONTACT ;1376347-1,1376348-1.
- 2 PARTS MEET IEC 60335-1 (GWT GLOW  
WIRE TEST 750 DEGREE SPEC).
- 3 NYLON 66, GWT, V-0.

THE TYPE OF KEYING



HOSING	6/6 NYLON GRASS FILLED
NAME	MATERIAL



3	1376395-1	3-1376387-4	TYPE D	YELLOW	6Pos	3-1376393-4
3	1376395-1	2-1376387-3	TYPE C	BLUE	6Pos	2-1376393-3
3	1376395-1	1-1376387-2	TYPE B	RED	6Pos	1-1376393-2
3	1376395-1	1376387-1	TYPE A	NATURAL	6Pos	1376393-1

APPLICABLE PLATE. P/N	MATING CONN. P/N	THE TYPE OF KEYING	Color	Pos	PART NO.
-----------------------	------------------	--------------------	-------	-----	----------

THIS DRAWING IS A CONTROLLED DOCUMENT.		DWN A.OISHI 31AUG00	<b>TE Connectivity</b>		
DIMENSIONS: mm		CHK Y.KASHIWA 28AUG'00			
TOLERANCES UNLESS OTHERWISE SPECIFIED:		APVD Y.KASHIWA 28AUG'00	NAME 5.0 POWER KEY CONNECTOR 6P PLUG HOUSING(2ROW)		
0 PLC ± 0.2 1 PLC ± 2 PLC ± 3 PLC ± 4 PLC ± ANGLES ± 1°		PRODUCT SPEC 108-5699	SIZE A3		
MATERIAL SEE TABLE		FINISH SEE TABLE	APPLICATION SPEC 114-5292	CAGE CODE 00779	DRAWING NO C-1376393
		WEIGHT	RESTRICTED TO		
		CUSTOMER DRAWING		SCALE 3:1	SHEET 1 OF 2
				REV C1	

THIS DRAWING IS UNPUBLISHED.

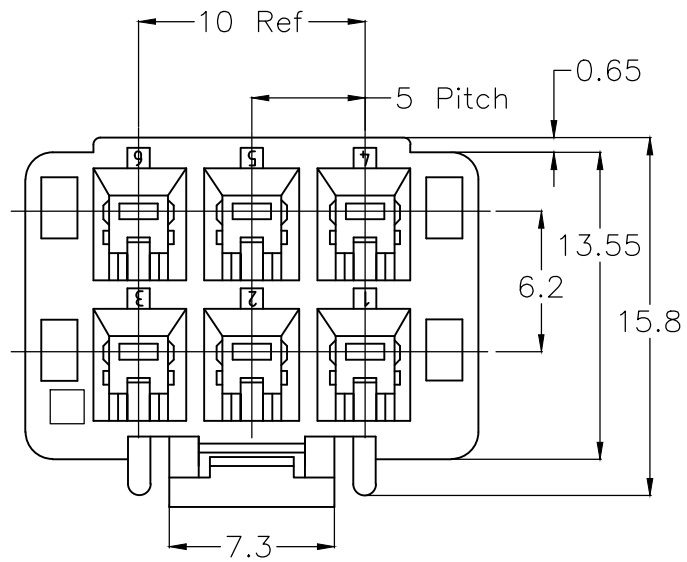
RELEASED FOR PUBLICATION

ALL RIGHTS RESERVED.

© COPYRIGHT - By -

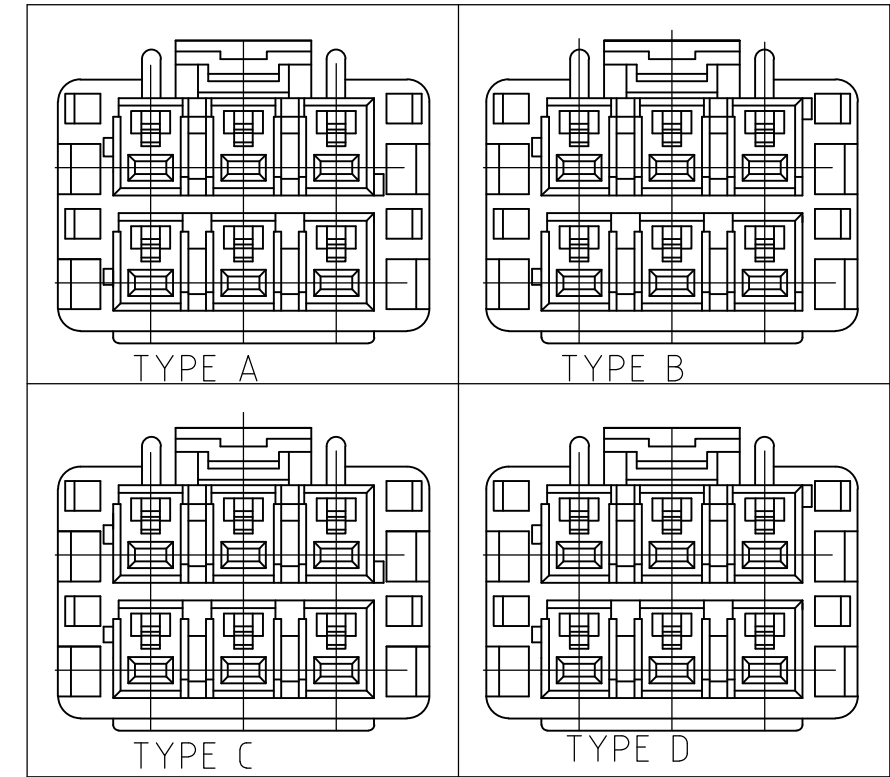
REVISIONS

P	LTR	DESCRIPTION	DATE	DWN	APVD
-	-	SEE SHEET 1	-	-	-

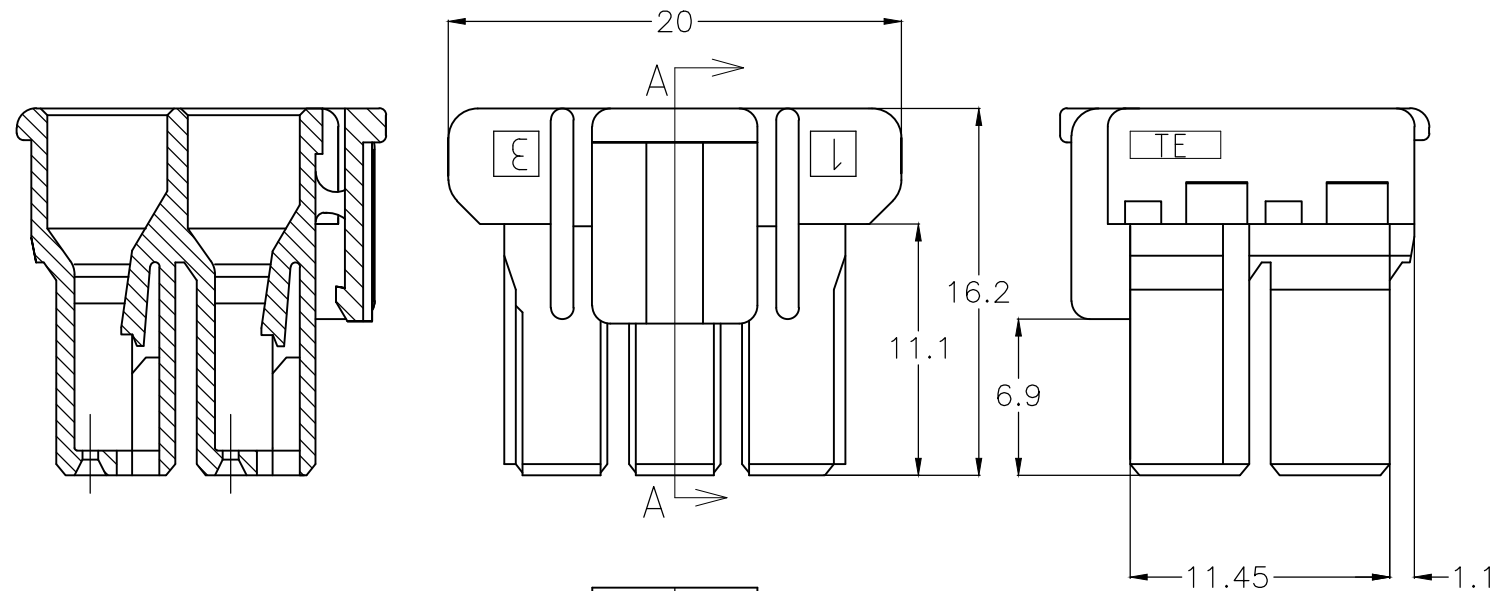


1 MATING CONN. P/N  
 HEADER ASS'Y :SEE TABLE  
 REC CONTACT ;1376347-1,1376348-1.

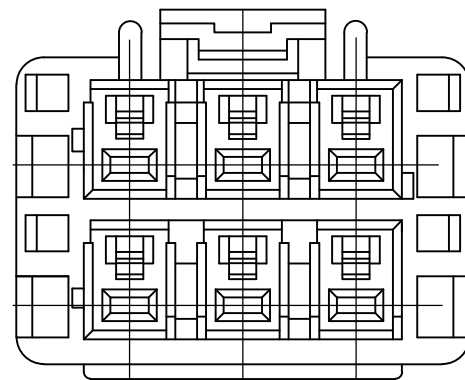
THE TYPE OF KEYING



HOSING	6/6 NYLON W/O GF
NAME	MATERIAL



SECT A-A



APPLICABLE PLATE. P/N	MATING CONN. P/N	THE TYPE OF KEYING	Color	Pos	PART NO.
1376395-1	3-1376387-5	TYPE D	YELLOW	6Pos	3-1376393-5
1376395-1	2-1376387-4	TYPE C	BLUE	6Pos	2-1376393-4
1376395-1	1-1376387-3	TYPE B	RED	6Pos	1-1376393-3
1376395-1	1376387-2	TYPE A	NATURAL	6Pos	1376393-2

THIS DRAWING IS A CONTROLLED DOCUMENT.		DWN A.OISHI 31AUG00	<b>TE Connectivity</b>				
DIMENSIONS: mm		CHK Y.KASHIWA 28AUG'00					
TOLERANCES UNLESS OTHERWISE SPECIFIED:		APVD Y.KASHIWA 28AUG'00	<b>5.0 POWER KEY CONNECTOR          6P PLUG HOUSING(2ROW)</b>				
0 PLC ± 0.2 1 PLC ± 2 PLC ± 3 PLC ± 4 PLC ± ANGLES ± 1°		PRODUCT SPEC 108-78863					
MATERIAL SEE TABLE		FINISH SEE TABLE	APPLICATION SPEC 114-5292	SIZE A3	CAGE CODE 00779	DRAWING NO C-1376393	RESTRICTED TO -
CUSTOMER DRAWING			WEIGHT 1.73g	SCALE 3:1	SHEET 2 of 2	REV C1	

## X-ON Electronics

Largest Supplier of Electrical and Electronic Components

*Click to view similar products for [Headers & Wire Housings](#) category:*

*Click to view products by [TE Connectivity](#) manufacturer:*

Other Similar products are found below :

[892-18-020-10-001101](#) [58102-G61-06LF](#) [582553-1](#) [0009485154](#) [009176003701906](#) [0050291907](#) [LY20-4P-DT1-P1E-BR](#) [02.125.8002.8](#)  
[609-3404](#) [61062-3](#) [61082-181009](#) [622-3653LF](#) [63453-116](#) [636-1030](#) [636-1427](#) [636-3427](#) [636-4007](#) [641938-9](#) [641991-4](#) [644827-2](#) [65817-010LF](#) [65817-015LF](#) [65863-015LF](#) [66207-023LF](#) [67095-007LF](#) [67601157](#) [68645-018](#) [68648-049](#) [70.362.1628.0](#) [70-4210](#) [70-4226B](#) [70-4853B](#) [707-5020](#) [707-5028](#) [71.350.2428.0](#) [71918-208LF](#) [71961-016LF](#) [733-134](#) [733-162](#) [754199-000](#) [760-3052](#) [787-8014-00](#) [79531-3000](#)  
[FCN-360C032-B](#) [FCN-367T-T012/H](#) [FCN-723D010/2](#) [80.063.4001.1](#) [800-90-001-10-001000](#) [800-90-010-10-002000](#) [801-43-002-10-013000](#)