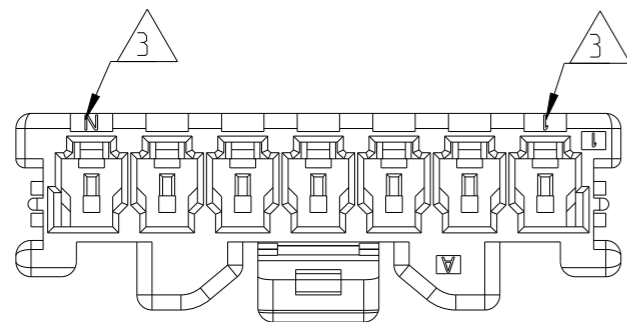
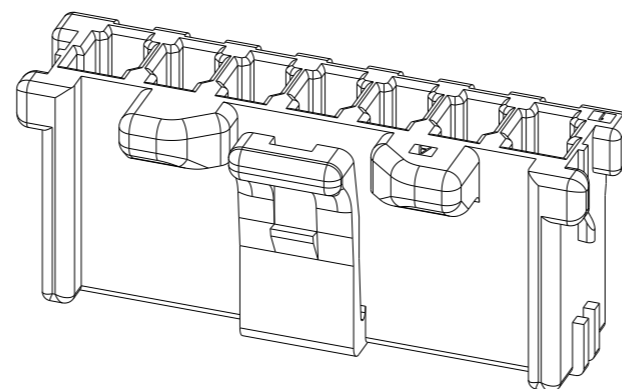
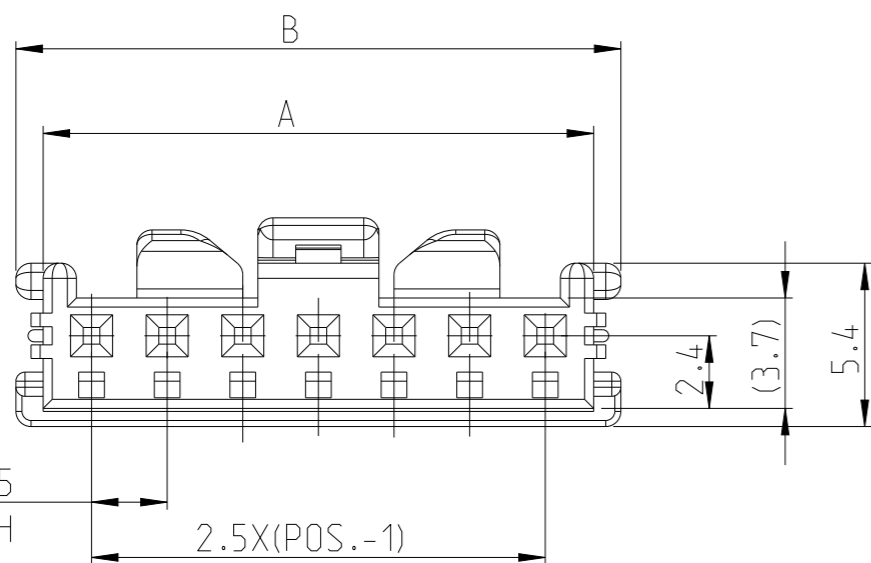
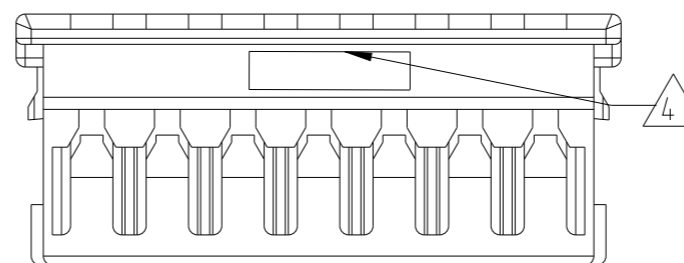
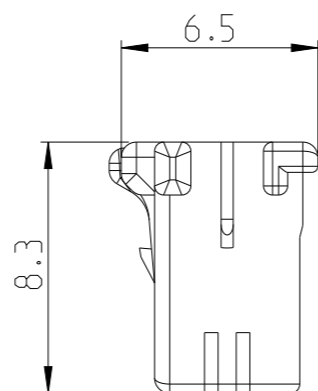
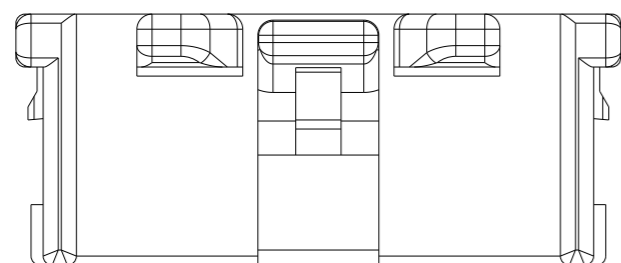


P	LTR	DESCRIPTION	DATE	DWN	APVD
E		REVISED PER ECR-21-101595	1APR2021	CX	DZ



- ① MATERIAL INFORMATION: PA66 WITH GLASS FIBER.
- ② DIMENSION SHOWN REPRESENT PRODUCT IN DRY AS MOLDED CONDITION.
- ③ CIRCUIT NUMBER.
- ④ TRADE MARK.
- ⑤ MATING HEADER ASSEMBLY: 1376477,1376492.
- ⑥ MATING CONTACT: 1376476.

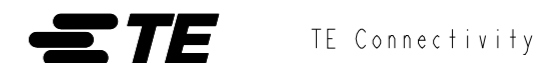


①	20	18.2	NATURAL	7	1376477-7
①	17.5	15.7	BLUE	6	2-1376477-6
①	17.5	15.7	RED	6	1-1376477-6
①	17.5	15.7	NATURAL	6	1376477-6
①	15	13.2	NATURAL	5	1376477-5
①	12.5	10.7	BLUE	4	2-1376477-4
①	12.5	10.7	NATURAL	4	1376477-4
①	10	8.2	RED	3	1-1376477-3
①	10	8.2	NATURAL	3	1376477-3
①	7.5	5.7	RED	2	1-1376477-2
①	7.5	5.7	NATURAL	2	1376477-2
MATERIAL	B	A	COLOR	POSITION	PART NO.
	DIMENSION				

THIS DRAWING IS A CONTROLLED DOCUMENT.

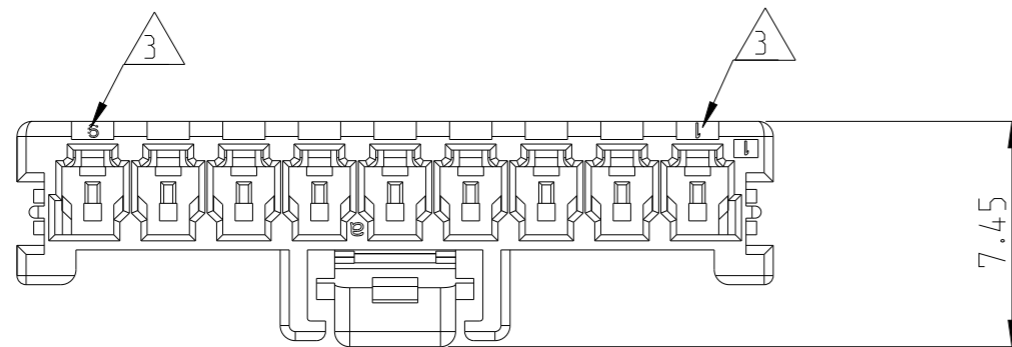
DIMENSIONS:	TOLERANCES UNLESS OTHERWISE SPECIFIED:
mm	
	①-PLC 0-10 ±0.2
	+ PLC 10-30 ±0.25
	2 PLC ±
	3 PLC ±
	4 PLC ±
	ANGLES ±°
MATERIAL	FINISH
PA66 GF	-
-	-

DWN	M.MA	09OCT2020
CHK	M.MA	09OCT2020
APVD	D.ZHANG	09OCT2020
PRODUCT SPEC	108-5703	
APPLICATION SPEC	114-5286	
WEIGHT	-	
CUSTOMER DRAWING		

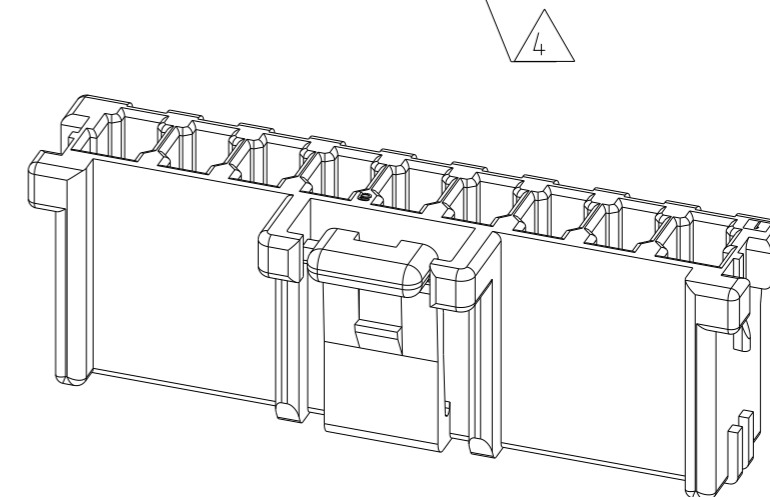
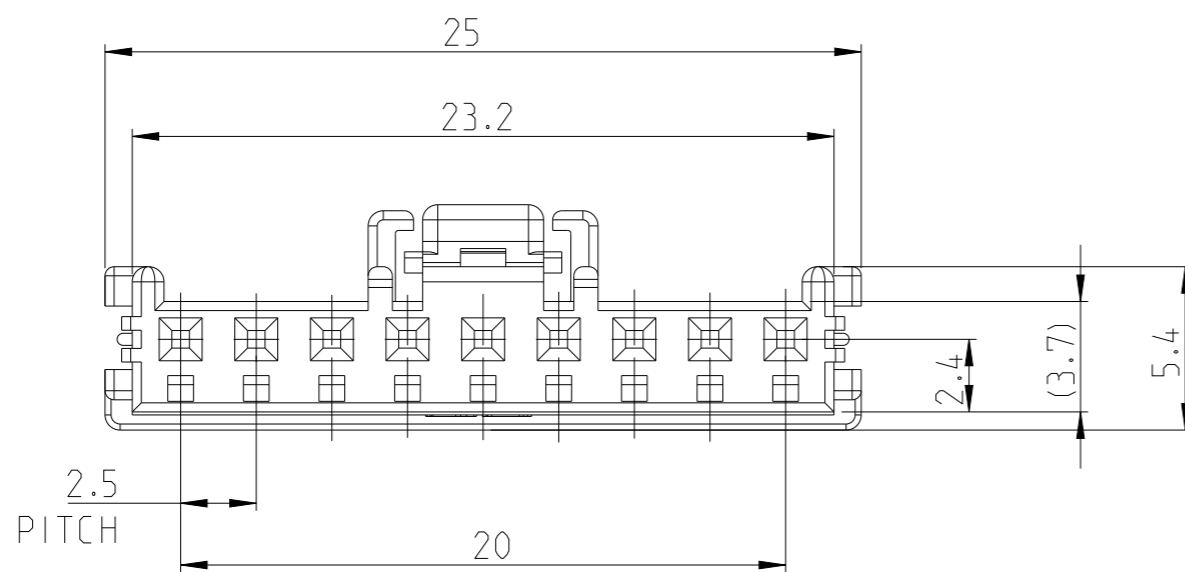
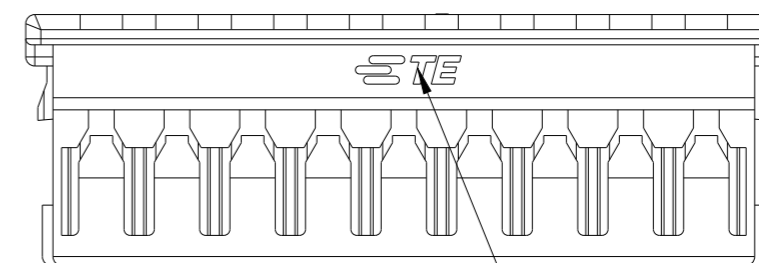
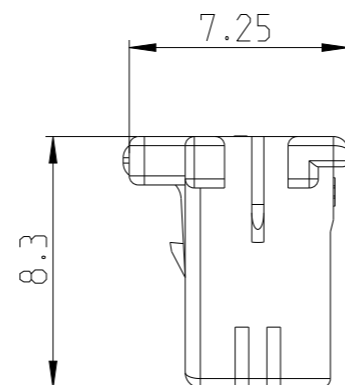
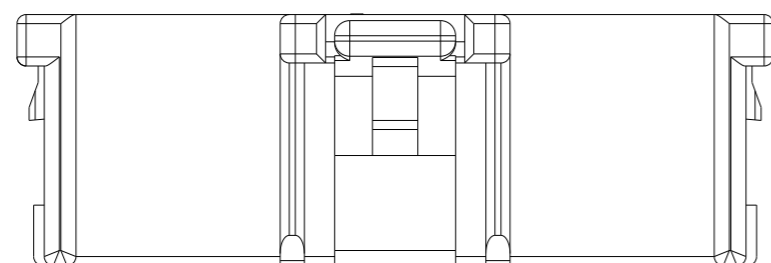


NAME				PLUG HOUSING	
PRODUCT SPEC				2.5MM SIGNAL MATE CONNECTOR	
SIZE	CAGE CODE	DRAWING NO	RESTRICTED TO		
A3	00779	①-1376477	-		
SCALE	SHEET	OF	REV		
4:1	1	2	E		


P	LTR	DESCRIPTION	DATE	DWN	APVD
		SEE SHEET1			



- 1 MATERIAL INFORMATION: PA66 WITH GLASS FIBER.
- 2 DIMENSION SHOWN REPRESENT PRODUCT IN DRY AS MOLDED CONDITION.
- 3 CIRCUIT NUMBER.
- 4 TRADE MARK.



1	1376476	1376478-9	NATURAL	9	1376477-9
MATERIAL	MATING CONTACT	MATING PN	COLOR	POSITION	PART NO.

THIS DRAWING IS A CONTROLLED DOCUMENT.		DWN M.MA 09OCT2020	 TE Connectivity		
DIMENSIONS: mm		CHK M.MA 09OCT2020			
TOLERANCES UNLESS OTHERWISE SPECIFIED:		APVD D.ZHANG 09OCT2020	NAME PLUG HOUSING 2.5MM SIGNAL MATE CONNECTOR		
0-PLC 0-10 ±0.2 1-PLC 10-30 ±0.25 2-PLC ± 3-PLC ± 4-PLC ± ANGLES ±3°		PRODUCT SPEC 108-5703	RESTRICTED TO		
MATERIAL PA66 GF		APPLICATION SPEC 114-5286	SIZE A3	CAGE CODE 00779	DRAWING NO C-1376477
FINISH		WEIGHT	SCALE 3:1 SHEET 2 OF 2 REV E		
		CUSTOMER DRAWING			

X-ON Electronics

Largest Supplier of Electrical and Electronic Components

Click to view similar products for [Headers & Wire Housings](#) category:

Click to view products by [TE Connectivity](#) manufacturer:

Other Similar products are found below :

[892-18-020-10-001101](#) [58102-G61-06LF](#) [582553-1](#) [0009485154](#) [009176003701906](#) [0050291907](#) [LY20-4P-DT1-P1E-BR](#) [02.125.8002.8](#)
[609-3404](#) [61062-3](#) [61082-181009](#) [622-3653LF](#) [63453-116](#) [636-1030](#) [636-1427](#) [636-3427](#) [636-4007](#) [641938-9](#) [641991-4](#) [644827-2](#) [65817-](#)
[010LF](#) [65817-015LF](#) [65863-015LF](#) [66207-023LF](#) [67095-007LF](#) [67601157](#) [68645-018](#) [68648-049](#) [70.362.1628.0](#) [70-4210](#) [70-4226B](#) [70-](#)
[4853B](#) [707-5020](#) [707-5028](#) [71.350.2428.0](#) [71918-208LF](#) [71961-016LF](#) [733-134](#) [733-162](#) [754199-000](#) [760-3052](#) [787-8014-00](#) [79531-3000](#)
[FCN-360C032-B](#) [FCN-367T-T012/H](#) [FCN-723D010/2](#) [80.063.4001.1](#) [800-90-001-10-001000](#) [800-90-010-10-002000](#) [801-43-002-10-013000](#)