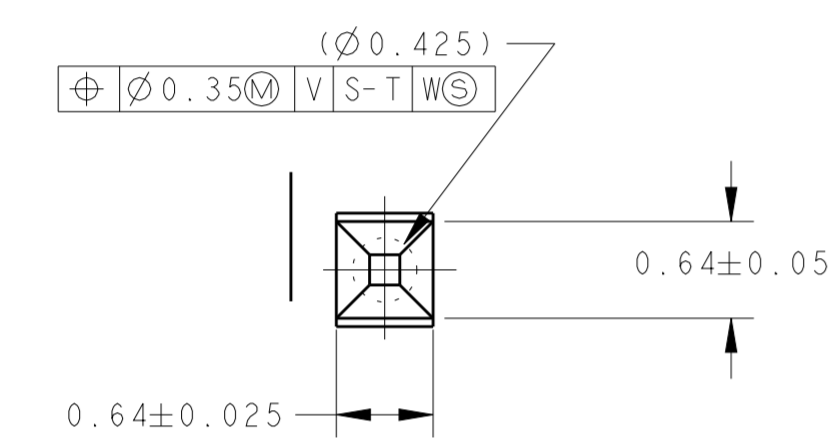
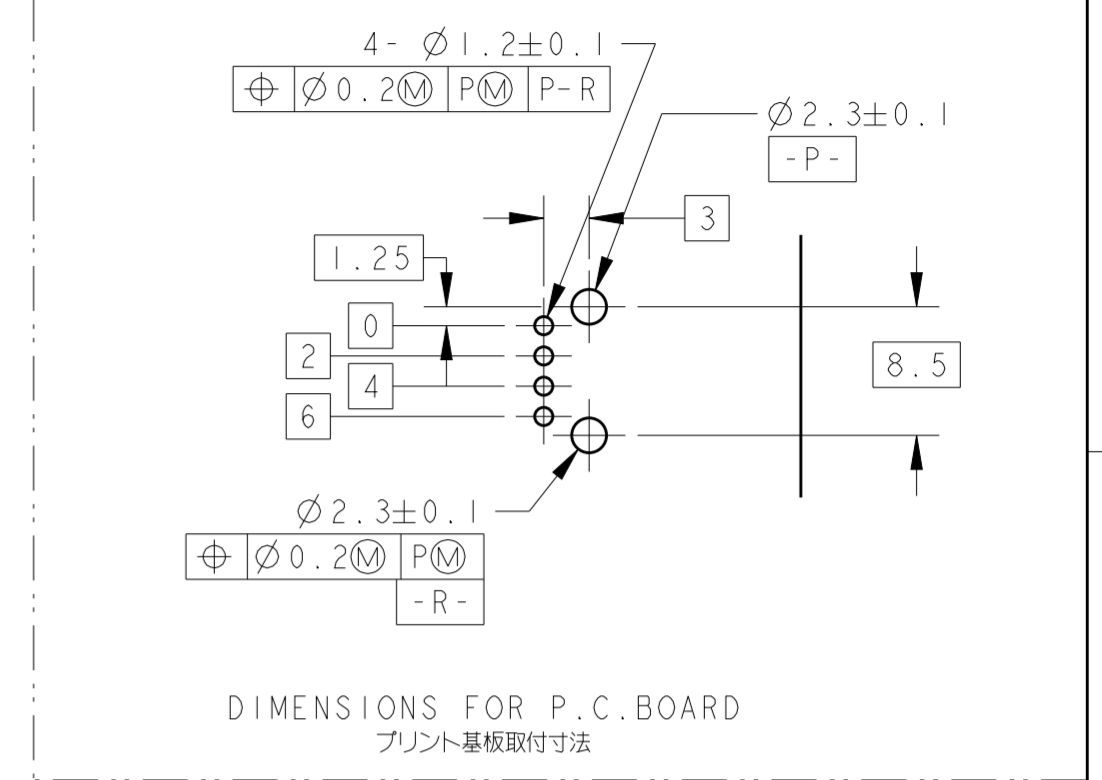
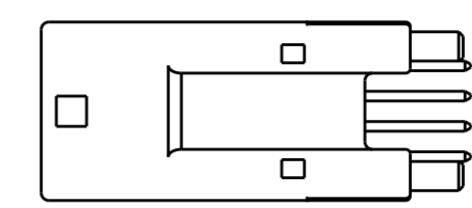
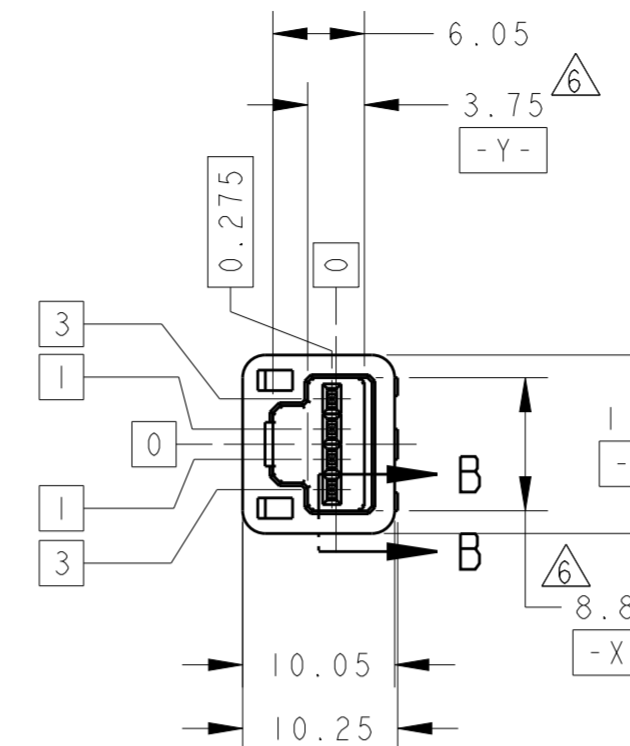
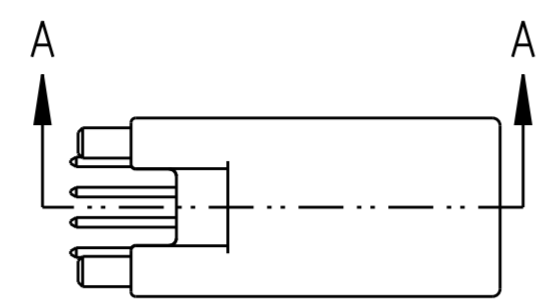
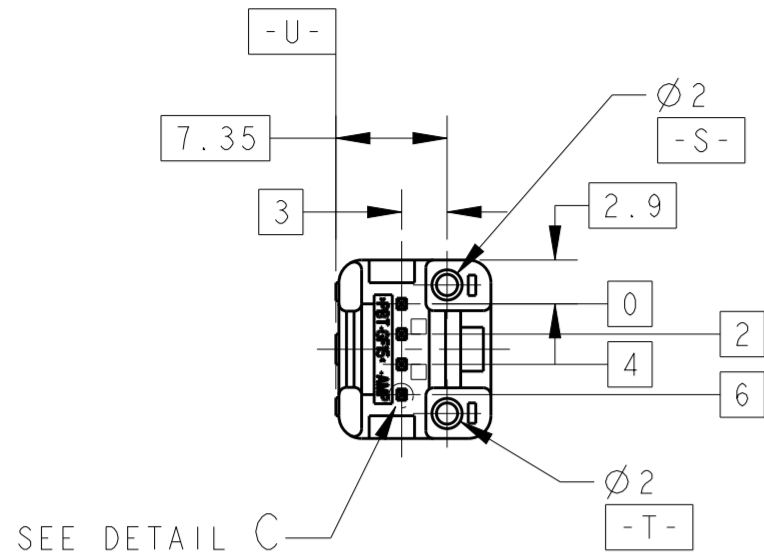
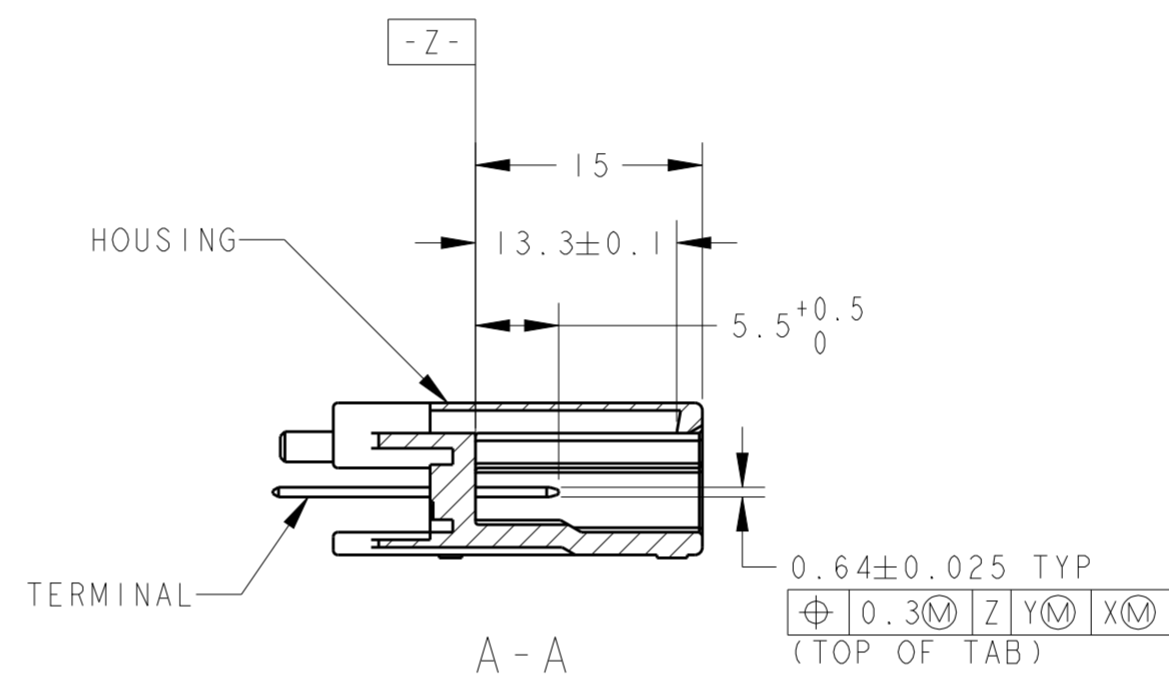
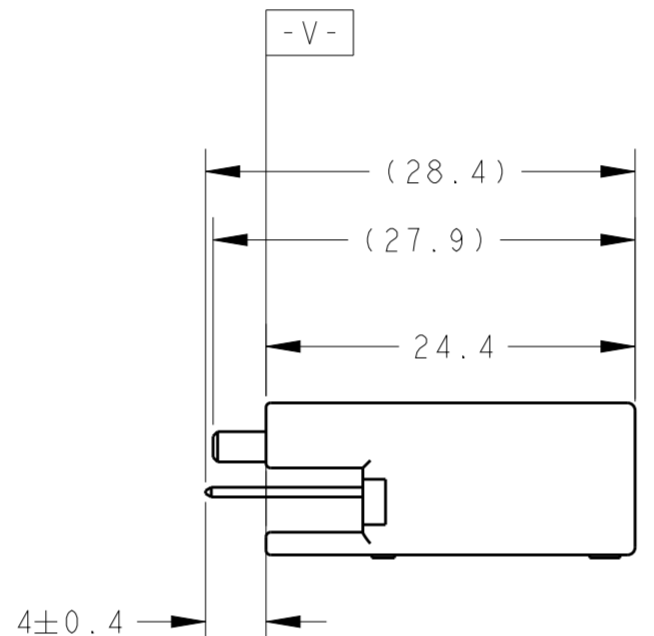


THIS DRAWING IS UNPUBLISHED. RELEASED FOR PUBLICATION 20
 © COPYRIGHT 2015 BY TYCO ELECTRONICS CORPORATION ALL RIGHTS RESERVED.

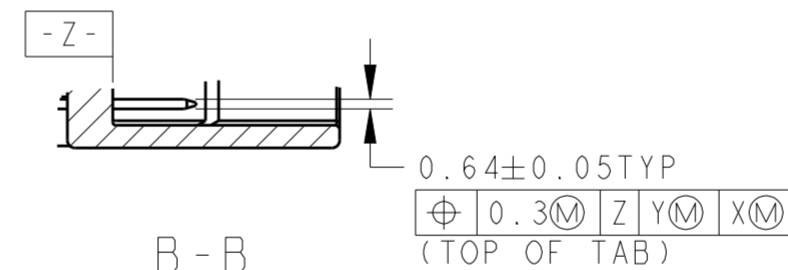
REVISIONS						
P	LTR	DESCRIPTION	ECN	DATE	DWN	APVD
0		RELEASED	FJ00-0957-00	28AUG00	NY	NS
01		REVISED	FJ00-1046-02	22MAY02	AY	KA
A		REVISED	ECR-15-011568	06AUG15	YT	YS



DETAIL C
SCALE 20:1



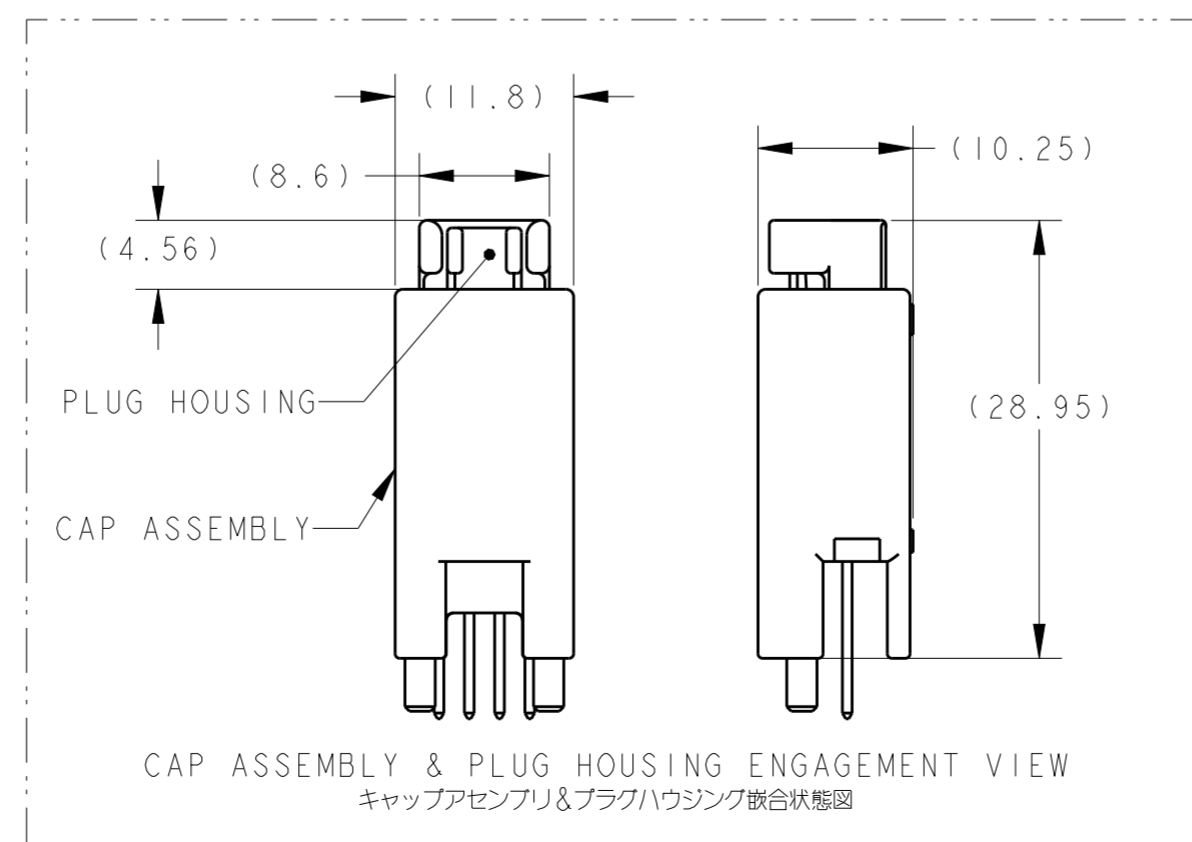
A - A



B - B

- MATING CONNECTOR PART NUMBER ; SEE TABLE-1 TO BE MATED SMOOTHLY WITH THE PLUG HOUSING;
- TO BE MOUNTED ON P.C.BOARD BY WELDING, BUT CONDITION SHOULD BE PROVIDED RESPECTIVELY.
- HANDLING OF THIS PART SHOULD FOLLOW INSTRUCTION SHEET NO.411-5933.

- 嵌合相手ハウジングは、TABLE-1参照。プラグハウジングと支障なく嵌合すること。
- 基板への取付は、熱溶着によること。管理値は、別途規定すること。
- 取扱説明書NO.411-5933



CAP ASSEMBLY & PLUG HOUSING ENGAGEMENT VIEW
キャップアセンブリ&プラグハウジング嵌合状態図

TABLE - 1

POS. 極数	PLUG HOUSING P/N プラグハウジング型番
4	1318620-2

PAPER BOX タ"ンホ"ール箱	PAPER BOX タ"ンホ"ール箱	OUTER 外装	PACKING STYLE 梱包形態	
PLASTIC TUBE プラスチックチューブ	PLASTIC TUBE プラスチックチューブ	INNER 内装	SELECTIVE-TIN (BRT/MATTE)	3
4	-	025 TAB CONT	PRE-TINED	2
-	4	025 TAB CONT	BLACK	1
1	1	4P CAP HSG	FINISH/COLOR	NO
1612446-1	1376515-1	NAME		

THIS DRAWING IS A CONTROLLED DOCUMENT.

DWN N. YASUDA 28AUG00	TE Connectivity
CHK N. SAI 28AUG00	
APVD N. SAI 28AUG00	
PRODUCT SPEC 108-5675	
MATERIAL PBT GF15 BRASS	NAME 025 4POSITION CAP HOUSING ASSEMBLY (V-TYPE)
TOLERANCES UNLESS OTHERWISE SPECIFIED: 一般公差: ±0.3	SIZE A200779
0-PLC ±	DRAWING NO C-1376515
1-PLC ±0.5	RESTRICTED TO
2-PLC ±0.13	SCALE 2:1
3-PLC ±0.013	SHEET 1 OF 1
4-PLC ±0.0001	REV A
ANGLES ±	
FINISH	
SEE TABLE	

X-ON Electronics

Largest Supplier of Electrical and Electronic Components

Click to view similar products for [Automotive Connectors](#) category:

Click to view products by [TE Connectivity](#) manufacturer:

Other Similar products are found below :

[003-018-000](#) [600858](#) [60403001](#) [60993906-B](#) [60993913-B](#) [629515004020001](#) [M902-2131](#) [M902-2161](#) [M902-2344](#) [72.330.1035.1](#)
[73.353.4028.0](#) [F118010](#) [F119300-B](#) [F132210](#) [F132210-B](#) [F166900](#) [F180100](#) [F258300](#) [F258300-B](#) [F294300-B](#) [F339100](#) [F339700](#) [F358300-](#)
[B](#) [F374110](#) [F407400](#) [F412210](#) [F427600](#) [F444110](#) [F487000](#) [F495100-B](#) [F500900-B](#) [F509500B-B](#) [770444-1](#) [776880-1](#) [827153-1](#) [881735-1](#)
[8N1515-32-24P](#) [9-1326727-8](#) [9-1326729-8](#) [925467-1](#) [925474-1](#) [928905-1](#) [936398-2](#) [964562-1](#) [964562-4](#) [964731-2](#) [965051-1](#) [968782-1](#)
[GT17SA-8DS-HU](#) [GT17VS-10DP-5.2CF](#)