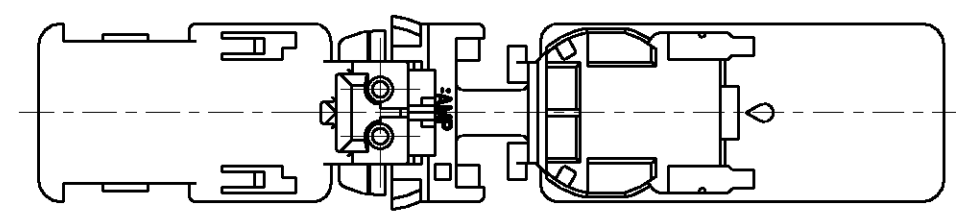
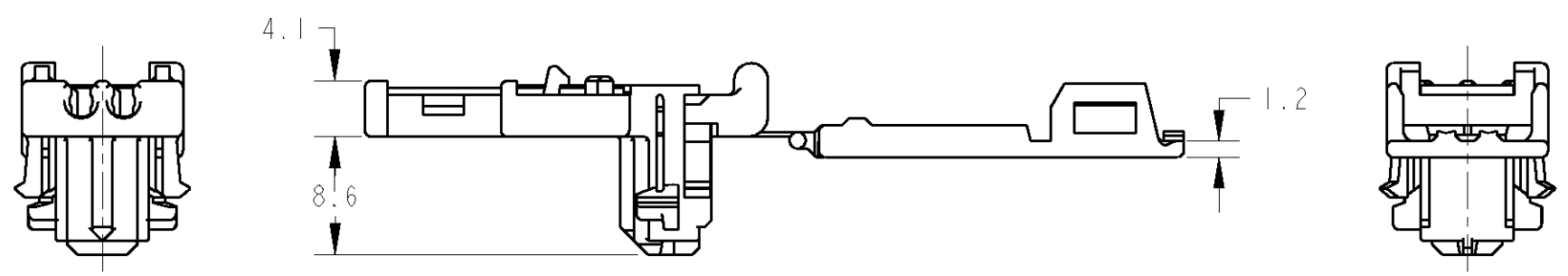
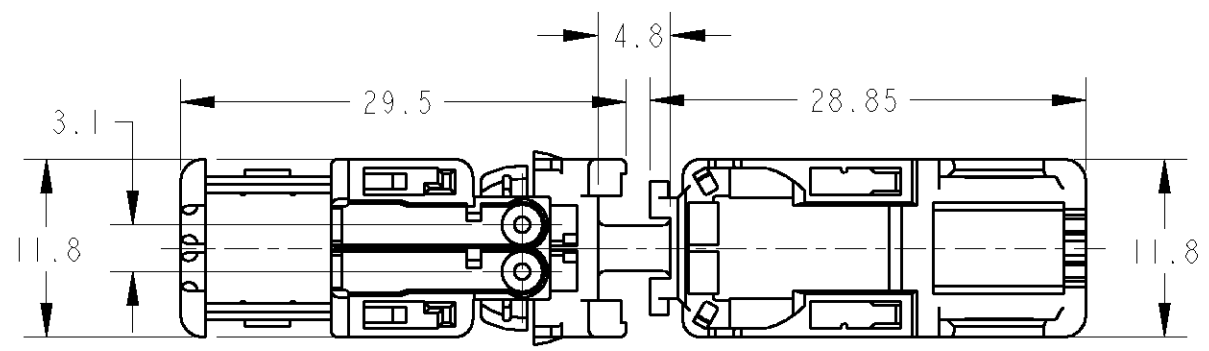
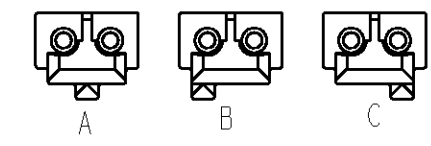


THIS DRAWING IS UNPUBLISHED. RELEASED FOR PUBLICATION 2000  
 © COPYRIGHT 2000 BY TYCO ELECTRONICS CORPORATION. ALL RIGHTS RESERVED.

LOC	DIST	REVISIONS						
		P	LTR	DESCRIPTION	ECN	DATE	DWN	APVD
J	-		O	RELEASED	FJ00-1865-00	30NOV2000	T.H	N.S
			A	REVISED	FJ00-1722-01	30JUL2001	T.H	N.S
			B	REVISED	FJ00-2489-01	23OCT2001	T.H	H.Y
			C	REVISED	FJA0-0420-04	05JUL04	A.O	H.Y



1. APPLICABLE TERMINAL P/N: 353376 (WIRE RANGE: AVSS, CAVS 0.3~0.5mm<sup>2</sup>)  
APPLICABLE FERRITE P/N: 353379
  2. THIS PRODUCT SHOULD BE USED WITH THE IIDIA SQUIB CONNECTOR SLIM TYPE LOCKING BUTTON (P/N: 1376689).
  3. MATING SHORT-CIRCUIT RING PART NUMBER: 699638, 1376766, 1473369
  4. ABOUT THE FORM OF INTERFACE, SEE THE DRAWING OF SHORT-CIRCUIT RING.
  5. INSTRUCTION SHEET: 411-5973.
1. 適用端子P/N: 353376 (AVSS, CAVS 0.3~0.5mm<sup>2</sup>)  
適用フェライトP/N: 353379
  2. 本製品は、IIDIA SQUIB CONNECTOR SLIM TYPE LOCKING BUTTON (P/N: 1376689) を装着して使用する。
  3. 本製品が適応するショートサーキットリング品番は、699638, 1376766, 1473369
  4. 嵌合相手形状は、ショートサーキットリング図面を参照のこと。
  5. 取扱説明書: 411-5973



RIB POSITION

RIB POSITION	COLOR	PART NUMBER
C	ORANGE	1376688-3
B	YELLOW	1376688-2
A	YELLOW	1376688-1

THIS DRAWING IS A CONTROLLED DOCUMENT FOR TYCO ELECTRONICS CORPORATION IT IS SUBJECT TO CHANGE AND THE CONTROLLING ENGINEERING ORGANIZATION SHOULD BE CONTACTED FOR THE LATEST REVISION.		DWN T.HAYASHI 30NOV2000 CHK N.SAI 30NOV2000 APVD N.SAI 30NOV2000		<b>tyco</b> Tyco Electronics AMP K.K. <b>Electronics</b> Kawasaki, Japan	
DIMENSIONS: 単位: 概 mm		TOLERANCES UNLESS OTHERWISE SPECIFIED: ±0.2 0-PLC ± 1-PLC ±0.1 2-PLC ±0.01 3-PLC ±0.001 4-PLC ±0.0001 ANGLES ±1.00°		PRODUCT SPEC 製品規格 108-5679 APPLICATION SPEC 取付適用規格 -	
MATERIAL 材料 PBT		FINISH 仕上 SEE TABLE		WEIGHT 1.6g SIZE A3 CAGE CODE 00779 DRAWING NO 1376688 RESTRICTED TO -	
CUSTOMER DRAWING				SCALE 3:1 SHEET 1 OF 1 REV C	

## X-ON Electronics

Largest Supplier of Electrical and Electronic Components

*Click to view similar products for [Automotive Connectors](#) category:*

*Click to view products by [TE Connectivity](#) manufacturer:*

Other Similar products are found below :

[003-018-000](#) [60993906-B](#) [M902-2131](#) [M902-2161](#) [M902-2344](#) [72.330.1035.1](#) [73.353.4028.0](#) [F166900](#) [F358300-B](#) [F407400](#) [776880-1](#)  
[827153-1](#) [8N1515-32-24P](#) [9-1326729-8](#) [925474-1](#) [928905-1](#) [964562-4](#) [968782-1](#) [98891-1012](#) [12004475-L](#) [12020308](#) [12041318-B](#)  
[12052466](#) [12059716](#) [12064869](#) [12015909](#) [1-21030-1](#) [12041254](#) [12041318](#) [12047946-B](#) [12110546-B](#) [12131792](#) [12084688](#) [12092346](#)  
[HD34-18-14PT](#) [HD46-24-23SN-059](#) [HDB36-24-16PN-059](#) [HDP26-24-9SE-L015](#) [12185280](#) [12185550](#) [12336-12](#) [12191172-B](#) [12S](#)  
[13545280](#) [13577943](#) [13681974](#) [13737722-B](#) [13830674](#) [13832576](#) [13849772](#)