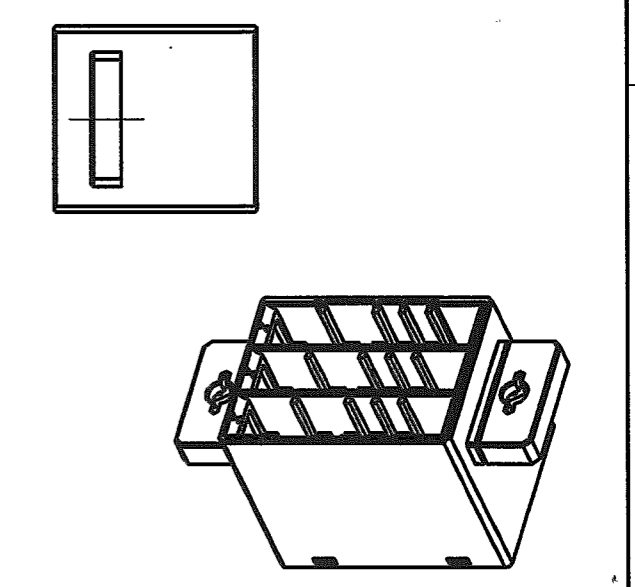
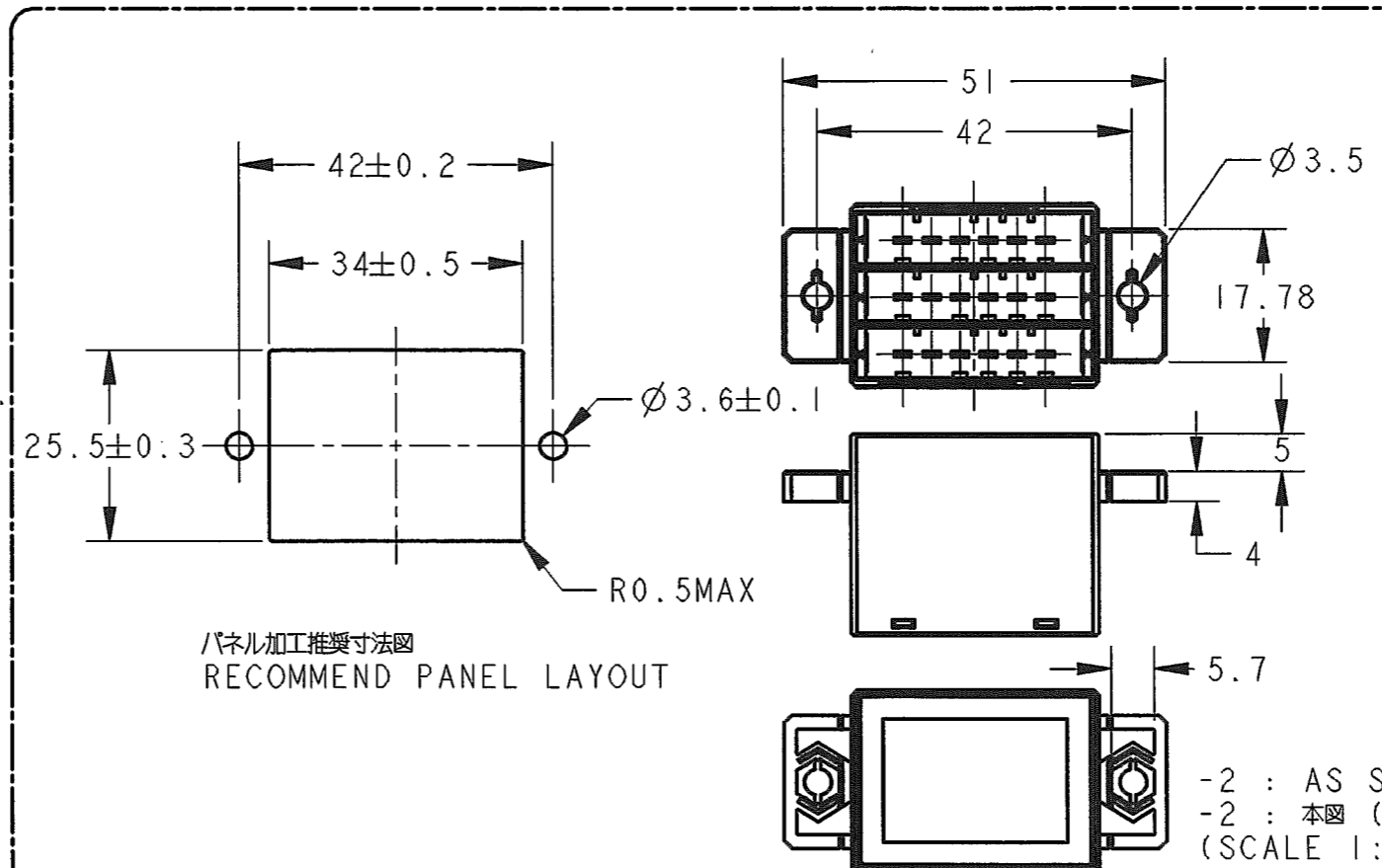
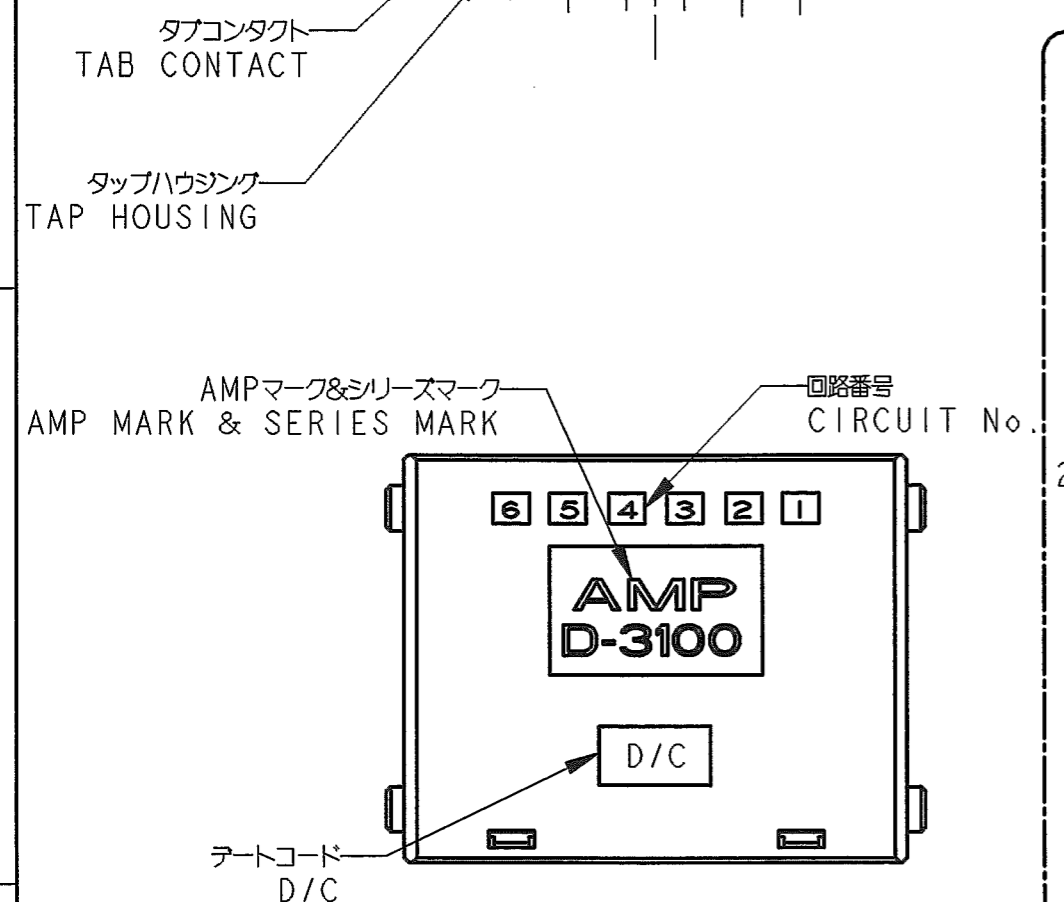
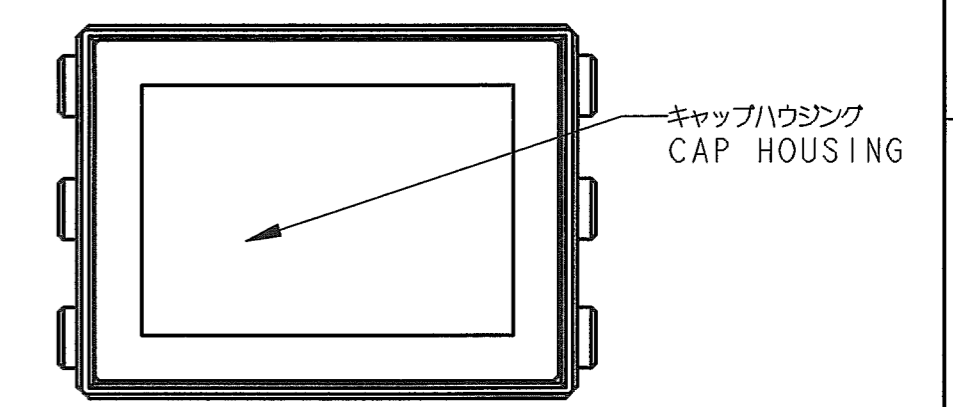
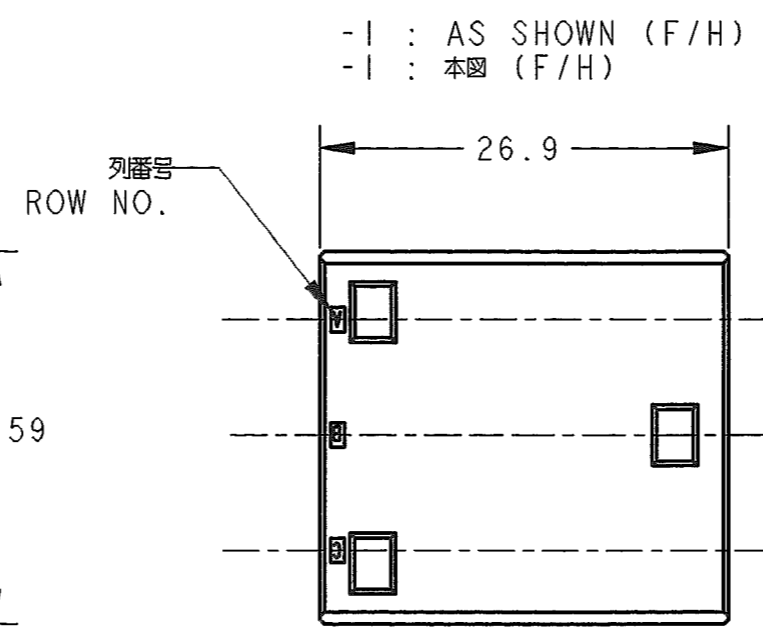
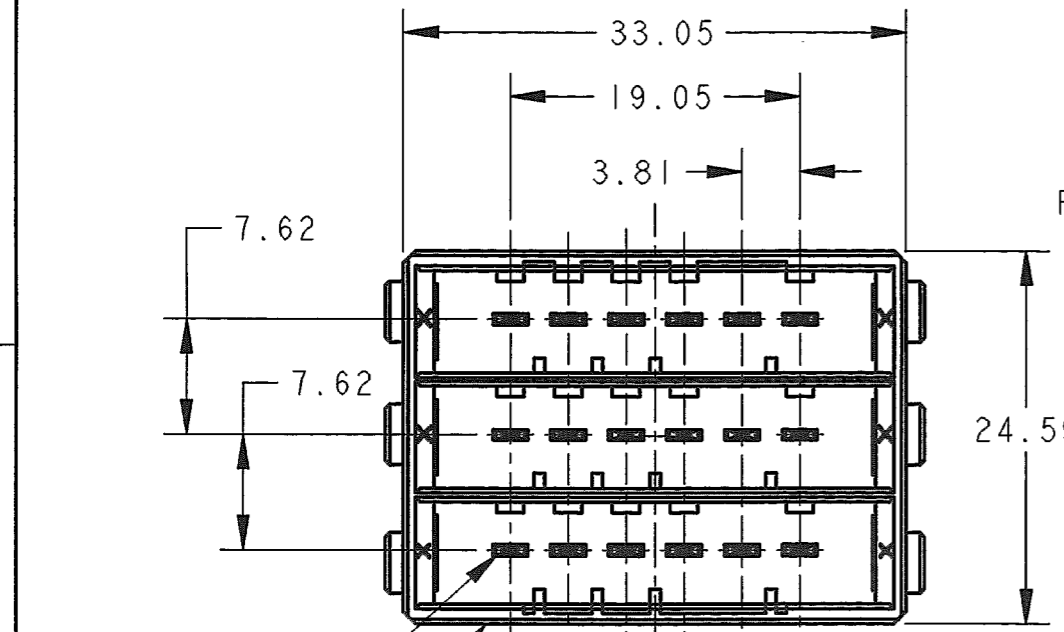


THIS DRAWING IS UNPUBLISHED. RELEASED FOR PUBLICATION 2001
 © COPYRIGHT 2001 BY TYCO ELECTRONICS CORPORATION. ALL RIGHTS RESERVED.

LOC	DIST	REVISIONS						
		P	LTR	DESCRIPTION	ECN	DATE	DWN	APVD
J	-	0		RELEASED	FJ00-1740-01	26SEP2001	S.Y	S.M
		01		REVISED	FJD0-0298-03	27AUG2003	D.M	S.M



-2 : AS SHOWN (P/M)
 -2 : 本図 (P/M)
 (SCALE 1:1)

注記
 1、材料：ハウジング：ガラス入り熱可塑性ポリエステル樹脂、94V-0、黒
 コンタクト：銅合金
 2、メッキ：コンタクト：全面Ni下地 1.3μmMIN、接点部：金メッキ 0.38μmMIN

NOTE
 1, MATERIAL; HOUSING: GLASS FILED THERMOPLASTIC, 94V-0, BLACK
 CONTACT: COPPER ALLOY
 2, FINISH; UNDER PLATE: Ni 1.3μm MIN, CONTACT AREA: Au 0.38μm MIN

<small>THIS DRAWING IS A CONTROLLED DOCUMENT FOR TYCO ELECTRONICS CORPORATION IT IS SUBJECT TO CHANGE AND THE CONTROLLING ENGINEERING ORGANIZATION SHOULD BE CONTACTED FOR THE LATEST REVISION.</small>		DWN 09AUG2001 S. YOKOZEKI		tyco Tyco Electronics AMP K.K. Electronics Kawasaki, Japan	
DIMENSIONS: 単位: ㎜ mm		TOLERANCES UNLESS OTHERWISE SPECIFIED:		CHK 26SEP2001 D. MITSUGI	
		0 PLC ±- 1 PLC ± ±0.4 2 PLC ± ±3° 3 PLC ±- 4 PLC ±- ANGLES ±-		APVD 26SEP2001 S. MANABE	
MATERIAL 材料 -		FINISH 仕上 -		NAME 名称 DYNATAP CONN. 18P ASSY -DYNAMIC 3100 -	
CUSTOMER DRAWING		WEIGHT -		SIZE A3 CAGE CODE 00779 DRAWING NO. C=1376807 RESTRICTED TO -	
		SCALE 2:1 SHEET 1 OF 1 REV 01			

X-ON Electronics

Largest Supplier of Electrical and Electronic Components

Click to view similar products for [Headers & Wire Housings](#) category:

Click to view products by [TE Connectivity](#) manufacturer:

Other Similar products are found below :

[95000-104TRLF](#) [10135584-644402LF](#) [DF62W-EP2022PCA](#) [95000-106TRLF](#) [DF62W-2022SCA](#) [DF62W-EP2022PC](#) [2203348](#) [DF62W-2022SC](#) [1084018](#) [1029039](#) [1084017](#) [802-10-012-10-002000](#) [1112640](#) [1112639](#) [000-34000](#) [0009482033](#) [0009507031](#) [57102-S06-03LF](#) [57202-S52-04LF](#) [PCN6-15S-2.5E](#) [0039019024](#) [58102-G61-06LF](#) [582553-1](#) [0009508121](#) [0050291907](#) [018731A](#) [LY20-4P-DT1-P1E-BR](#) [02.125.8002.8](#) [60101931](#) [60598-1 \(Cut Strip\)](#) [M1625-3R/100](#) [61062-3](#) [61082-181009](#) [636-1427](#) [638009-1](#) [641938-9](#) [641991-4](#) [644168-1](#) [647662-1](#) [65039-019ELF](#) [65817-002LF](#) [65817-015LF](#) [65863-015LF](#) [66207-023LF](#) [67016-026LF](#) [67046-001LF](#) [67095-007LF](#) [68002-116](#) [68016-236H](#) [68648-049](#)