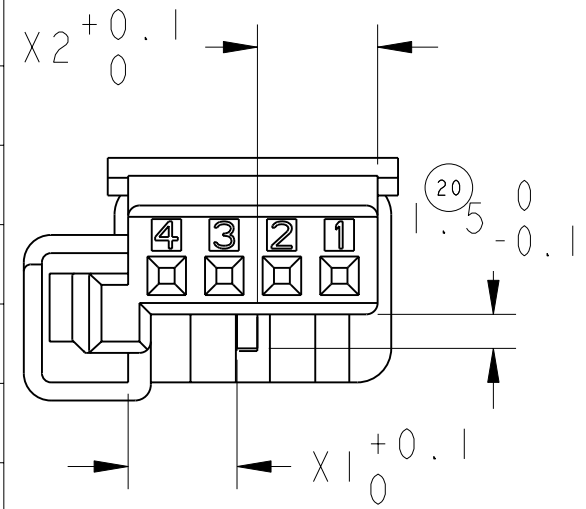


THIS DRAWING IS UNPUBLISHED. / RELEASED FOR PUBLICATION  
 DIFFUSION RESTREINTE / LIBRE A LA DIFFUSION  
 © COPYRIGHT 20 / BY TYCO ELECTRONICS CORPORATION. ALL RIGHTS RESERVED. / TOUS DROITS RESERVES

LOC		DIST		REVISIONS			
P	LTR	DESCRIPTION MODIFICATIONS	DATE	DWN DESS.	APVD APP.		
A		ADD RADIUS ON THE LOCKING LANCE RIB.	22JUN2001	SA	JJR		
B		TE UPDATE - MARKING POSITION UPDATED	25JAN2011	EC	XR		

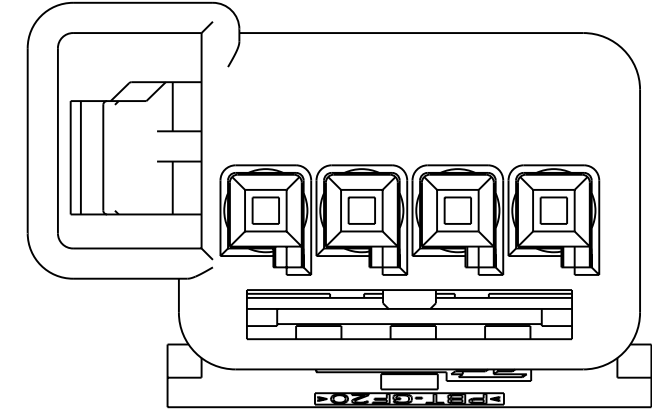
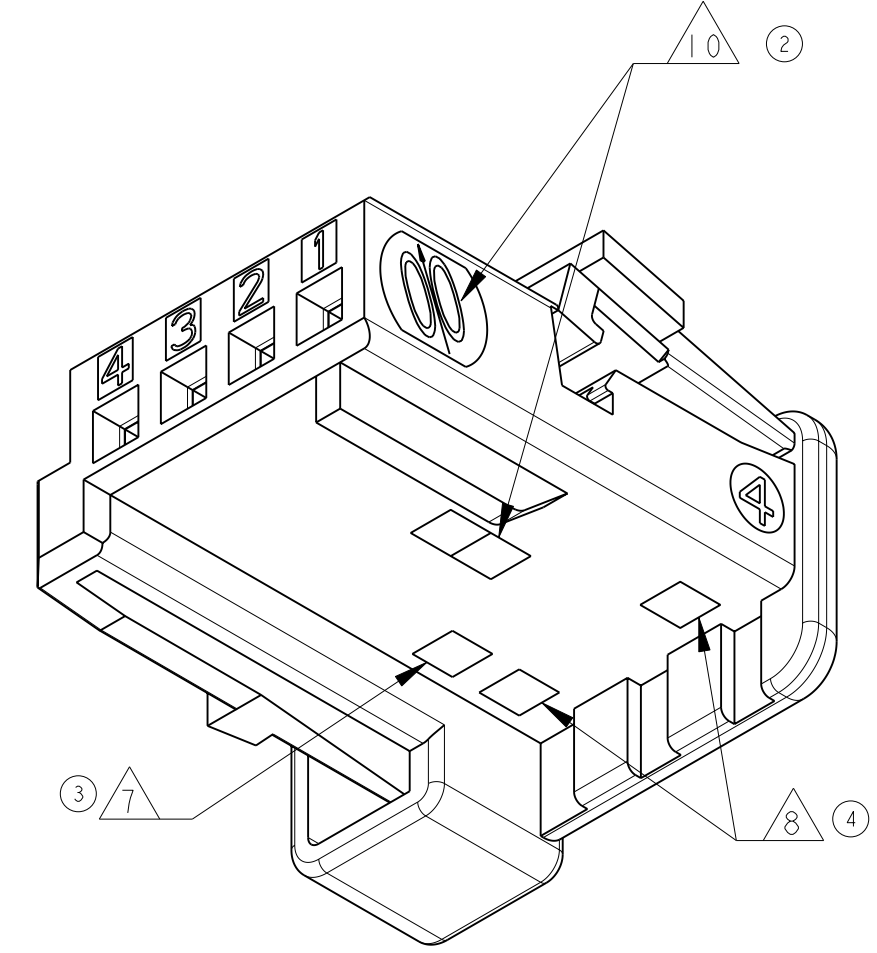
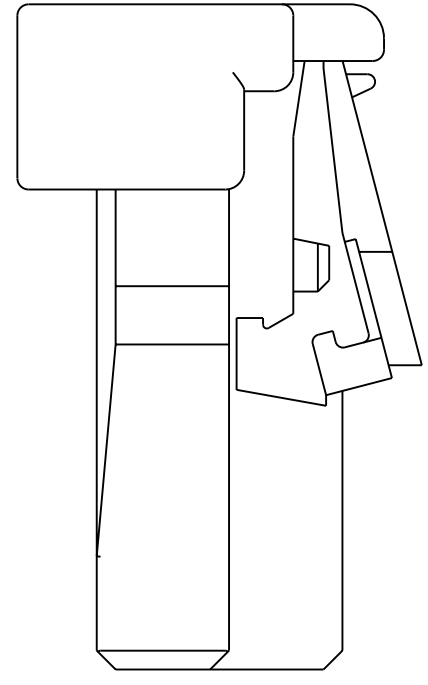
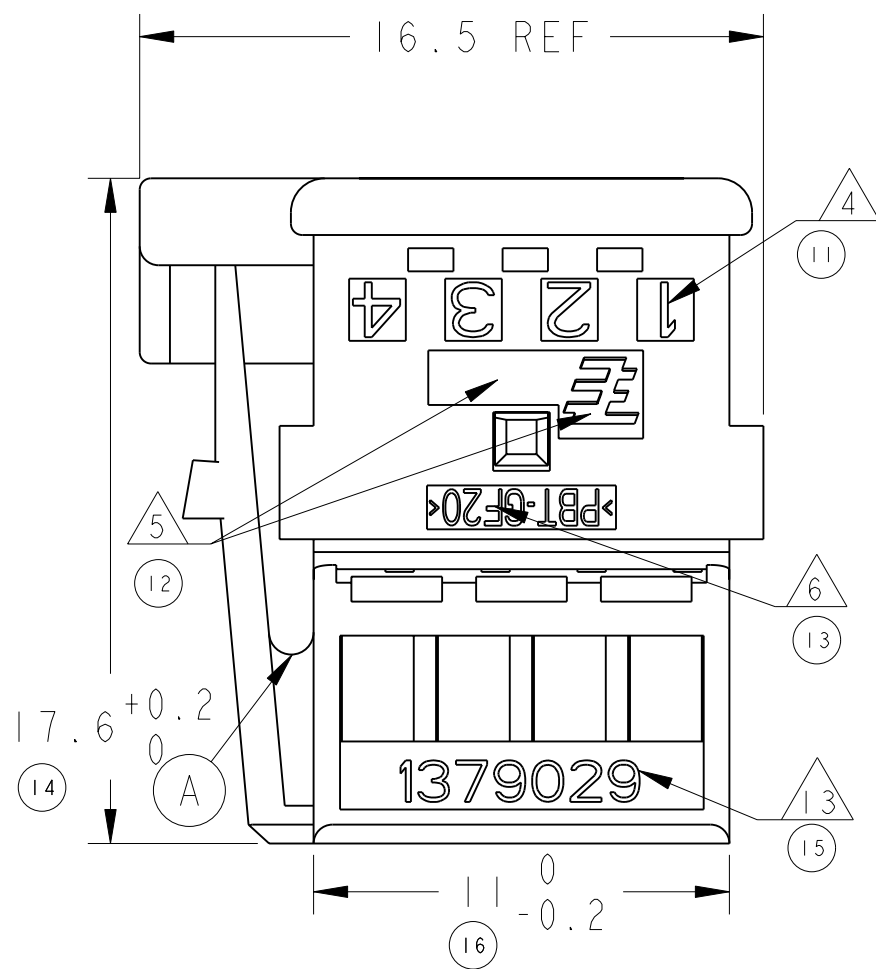
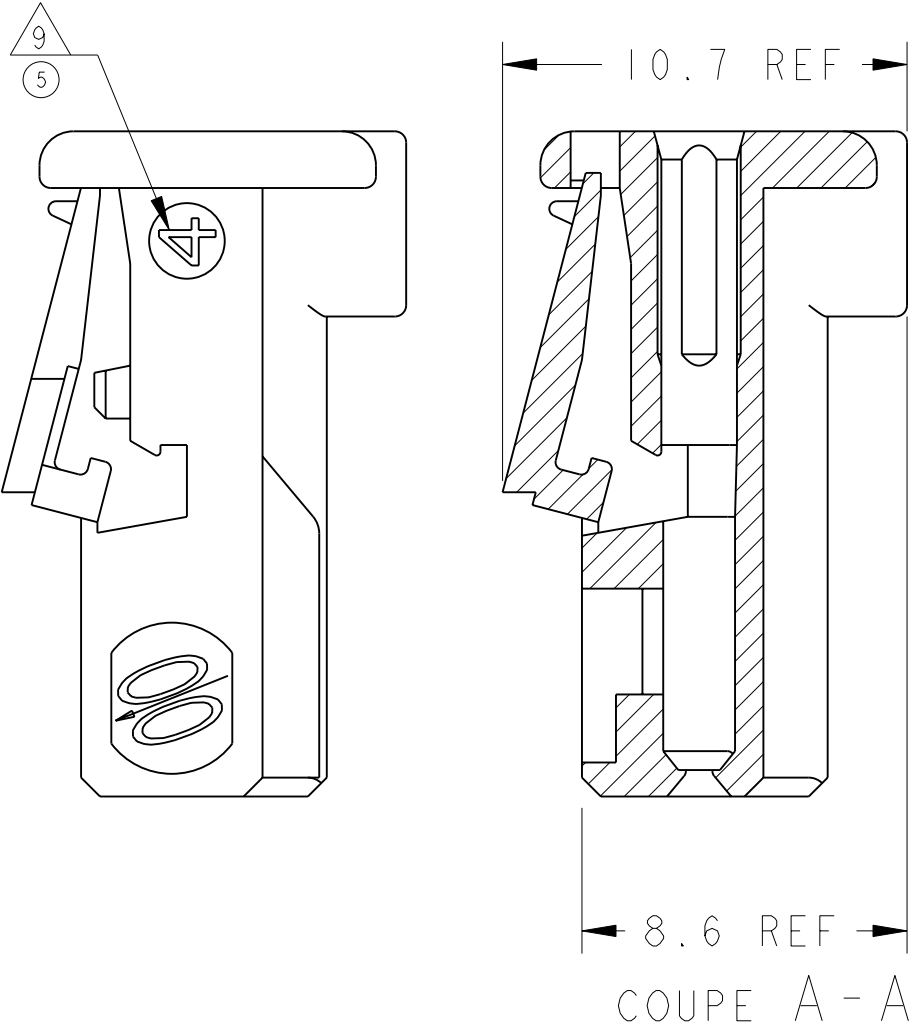
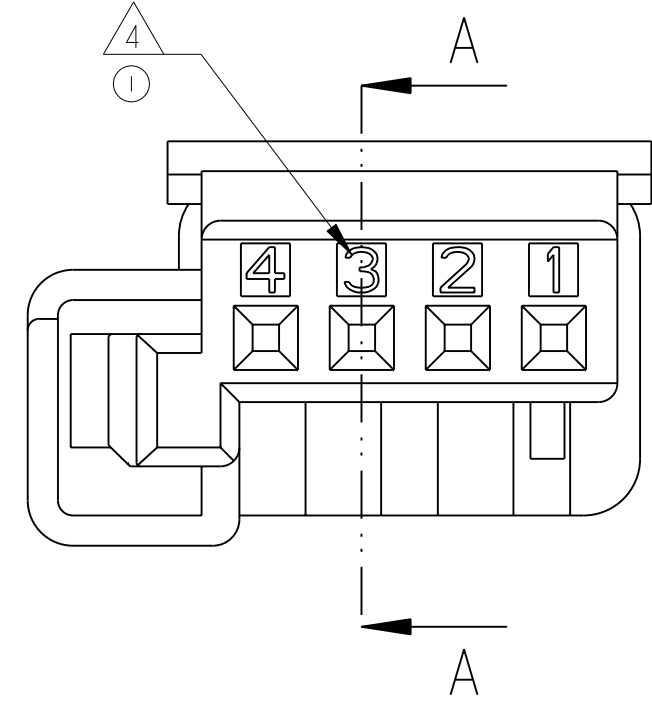
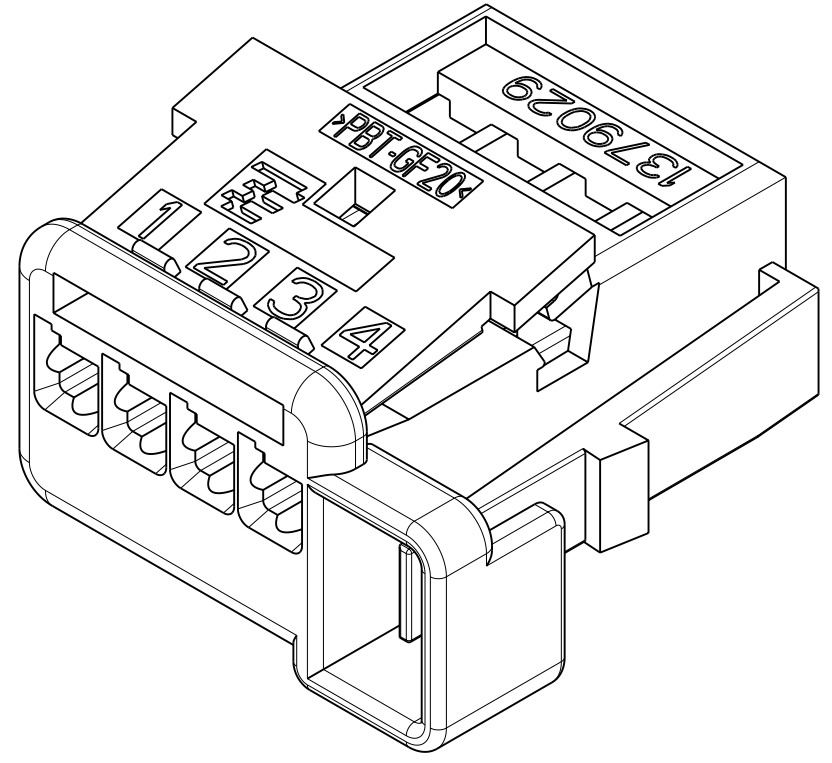
TABLE DE CODAGE - KEYING TABLE

COULEUR / COLOUR	X1	X2	REF. TE / TE PN
NOIR / BLACK	(21) 8.7	(22) 1.4	1379029-1
BLANC / WHITE	(23) 7.4	(24) 2.7	1379029-2
BLEU / BLUE	(25) 6.1	(26) 4	1379029-3
JAUNE / YELLOW	(27) 4.8	(28) 5.3	1379029-4
GRIS / GREY	(29) 3.5	(30) 6.6	1379029-5
MARRON / BROWN	(31) 2.2	(32) 7.9	1379029-6



NOTES :

- POSITION DES ALVEOLES SUIVANT INTERFACE TE 208-15592 / INTERFACE ACCORDING TO TE 208-15592
- PIECE A UTILISER AVEC LE CLIP MQS 144969-x, 928999-x OU 963715-x / TO USE WITH MQS RECEPTACLE 144969-x, 928999-x OR 963715-x
- 1379029-1 REPRESENTE / 1379029-1 AS SHOWN
- REPERE D'ALVEOLE / CAVITY IDENTIFICATION
- LOGO TE OR AMP / TE OR AMP STAMP
- MARQUAGE MATIERE / MATERIAL IDENTIFICATION
- MARQUAGE DU MOULE (OPTION) / MOLD IDENTIFICATION (OPTIONAL)
- INDICE DE REVISION DE MOULE (EMPLACEMENT OPTIONNEL) / MOLD REVISION NUMBER (OPTIONAL LOCATION)
- NUMERO D'EMPREINTE DE MOULE / MOLD CAVITY IDENTIFICATION NUMBER
- DATEUR (EMPLACEMENT OPTIONNEL) / DATE CODE (OPTIONAL LOCATION)
- REFERENCE TE / TE PN



THIS DRAWING IS A CONTROLLED DOCUMENT FOR TYCO ELECTRONICS CORPORATION IT IS SUBJECT TO CHANGE AND THE CONTROLLING ENGINEERING ORGANIZATION SHOULD BE CONTACTED FOR THE LATEST REVISION. CE PLAN EST UN DOCUMENT CONTROLÉ PAR AMP INCORPORATED. IL EST SUSCEPTIBLE D'ÊTRE REVISÉ. CONTACTER LE SERVICE TECHNIQUE D'AMP DE FRANCE POUR OBTENIR LA DERNIÈRE REVISION.		DWN/DESSINE / 13JAN00 O. LEMAIRE CHK/VERIFIE / 14FEB00 J. LALANGE APVD/APROUVE / 14FEB00 JJ. REVIL		TYCO Electronics France 95301 PONTOISE	
DIMENSIONS: / mm TOLERANCES UNLESS OTHERWISE SPECIFIED: / (SUIV. NB DE DECIMALES) 0 P.C./DEC. ± 1 P.C./DEC. ± 2 P.C./DEC. ±0.2 3 P.C./DEC. ± 4 P.C./DEC. ± ANGLES ±5°		PRODUCT SPEC / 108-15236 SPEC. PRODUIT / APPLICATION SPEC / 411-15635 SPEC. APPLICATION / WEIGHT / 1.2g MASSE APPROX. /		NAME / PORTE-CLIPS 4 VOIES MQS AVALOIR TITRE / 4 POS. MQS RECEPTACLE HOUSING POSITIVE MATE	
MATERIAL/MATIERE / PBT GF20 FINISH/FINITION /		SIZE / A2 FORMAT / CAGE CODE / 00779 DRAWING NO / C-1379029 No PLAN /		RESTRICTED TO / RESERVE A CUSTOMER DRAWING / PLAN CLIENT UNIQUEMENT / POUR REFERENCE SCALE / ECHELLE 5:1 SHEET / FEUILLE 1 OF / DE 1 REV / B	

## X-ON Electronics

Largest Supplier of Electrical and Electronic Components

*Click to view similar products for [Automotive Connectors](#) category:*

*Click to view products by [TE Connectivity](#) manufacturer:*

Other Similar products are found below :

[003-018-000](#) [60993906-B](#) [M902-2131](#) [M902-2161](#) [M902-2344](#) [72.330.1035.1](#) [73.353.4028.0](#) [F166900](#) [F358300-B](#) [F407400](#) [776880-1](#)  
[827153-1](#) [8N1515-32-24P](#) [9-1326729-8](#) [925474-1](#) [928905-1](#) [964562-4](#) [968782-1](#) [98891-1012](#) [12004475-L](#) [12020308](#) [12041318-B](#)  
[12052466](#) [12064869](#) [12015909](#) [1-21030-1](#) [12041254](#) [12041318](#) [12047946-B](#) [12110546-B](#) [12131792](#) [12084688](#) [12092346](#) [HD34-18-14PT](#)  
[HD46-24-23SN-059](#) [HDB36-24-16PN-059](#) [HDP26-24-9SE-L015](#) [12185280](#) [12185550](#) [12336-12](#) [12191172-B](#) [12S](#) [13545280](#) [13577943](#)  
[13681974](#) [13737722-B](#) [13830674](#) [13832576](#) [13849772](#) [13542772](#)