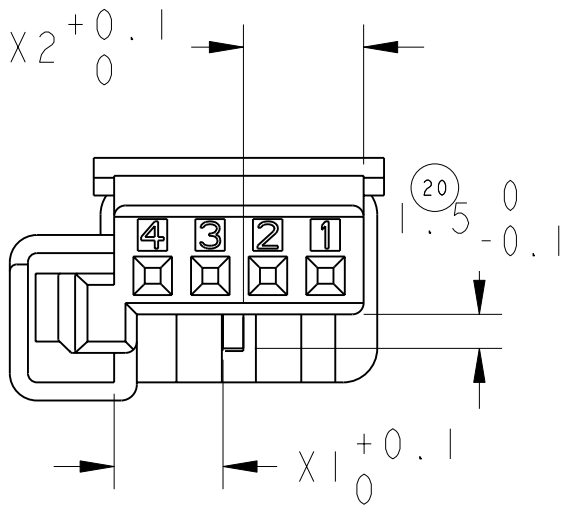


THIS DRAWING IS UNPUBLISHED.
 DIFFUSION RESTREINTE
 © COPYRIGHT 20 BY TYCO ELECTRONICS CORPORATION. ALL RIGHTS RESERVED.
 LIBRE A LA DIFFUSION
 TOUS DROITS RESERVES

LOC	DIST	REVISIONS					
		P	LTR	DESCRIPTION MODIFICATIONS	DATE	DWN DESS.	APVD APP.
F	7	A		ADD RADIUS ON THE LOCKING LANCE RIB.	22JUN2001	SA	JJR
		B		TE UPDATE - MARKING POSITION UPDATED	25JAN2011	EC	XR

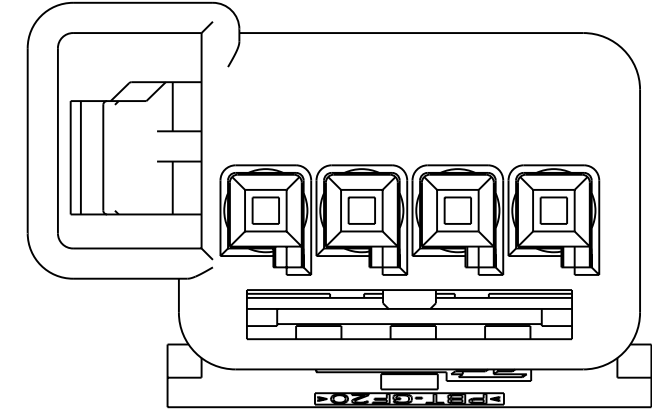
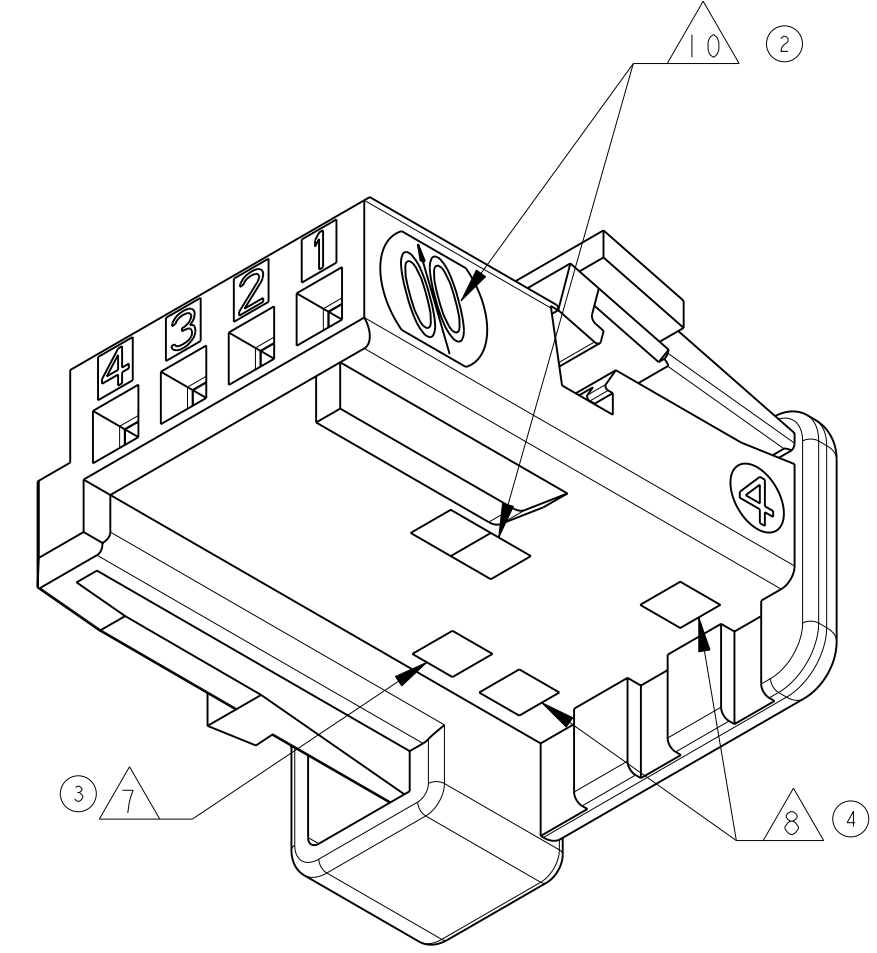
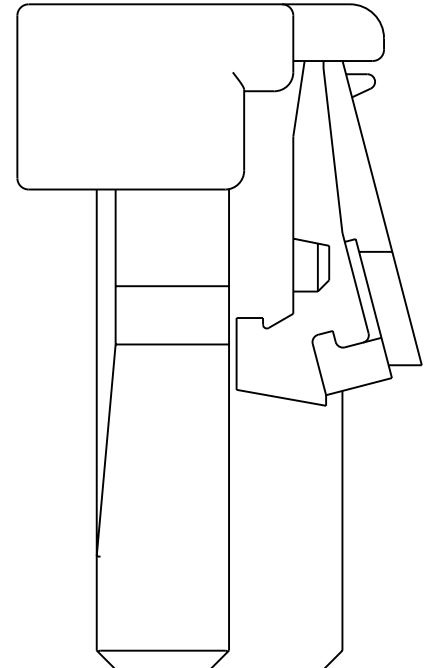
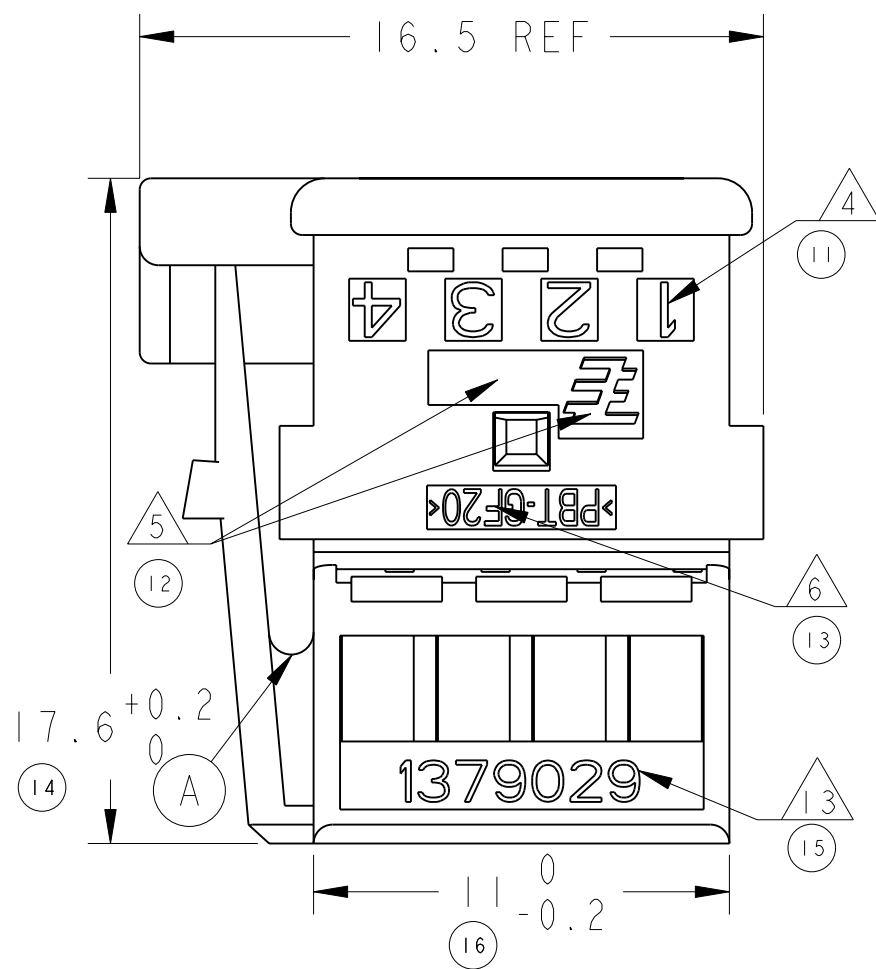
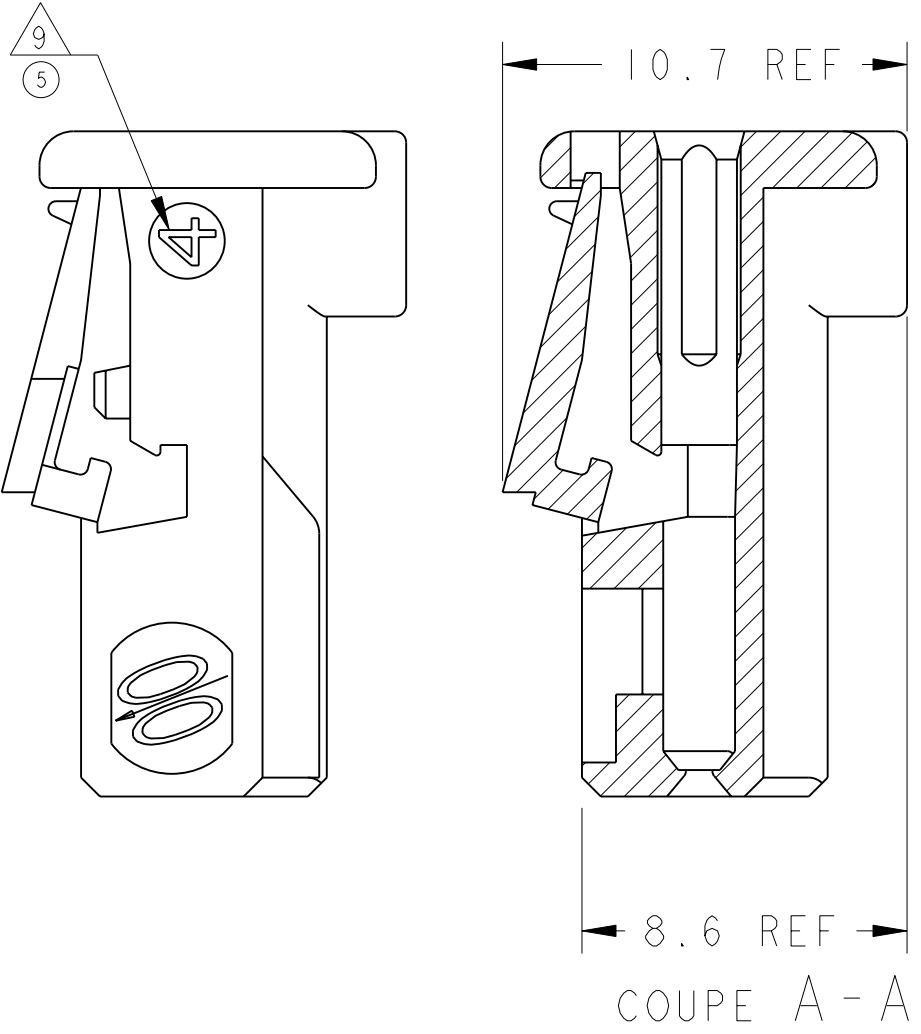
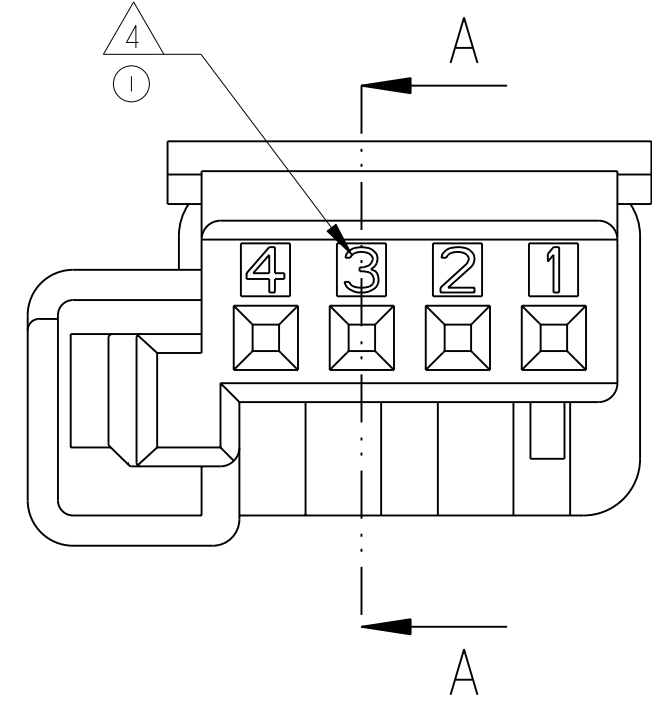
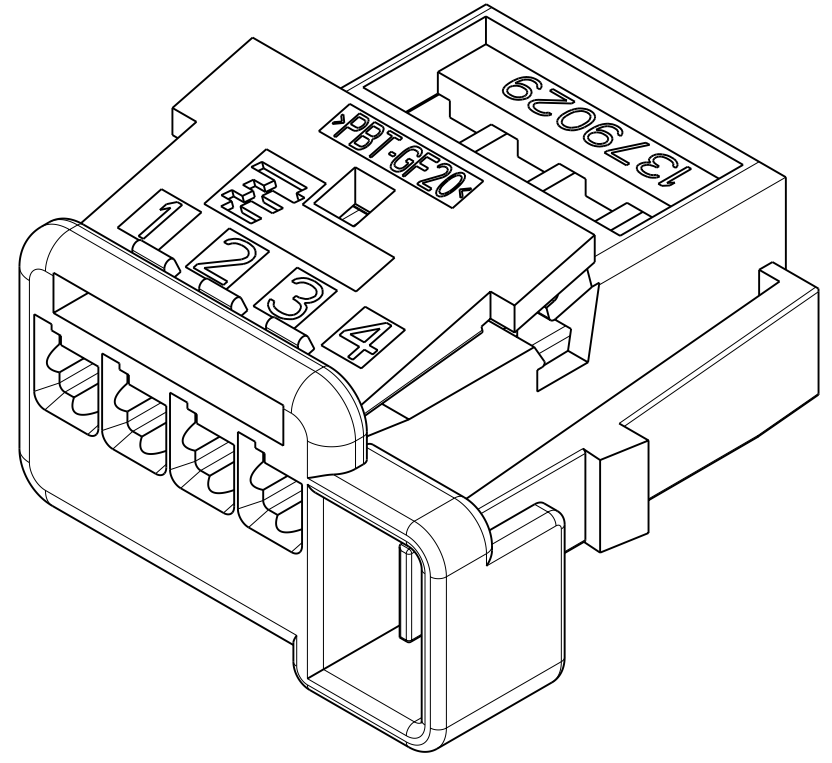
TABLE DE CODAGE - KEYING TABLE

COULEUR COLOUR	X1	X2	REF. TE TE PN
NOIR BLACK	(21) 8.7	(22) 1.4	1379029-1
BLANC WHITE	(23) 7.4	(24) 2.7	1379029-2
BLEU BLUE	(25) 6.1	(26) 4	1379029-3
JAUNE YELLOW	(27) 4.8	(28) 5.3	1379029-4
GRIS GREY	(29) 3.5	(30) 6.6	1379029-5
MARRON BROWN	(31) 2.2	(32) 7.9	1379029-6



NOTES :

- POSITION DES ALVEOLES SUIVANT INTERFACE TE 208-15592
 INTERFACE ACCORDING TO TE 208-15592
- PIECE A UTILISER AVEC LE CLIP MQS 144969-x, 928999-x OU 963715-x
 TO USE WITH MQS RECEPTACLE 144969-x, 928999-x OR 963715-x
- 1379029-1 REPRESENTE
 1379029-1 AS SHOWN
- REPERE D'ALVEOLE
 CAVITY IDENTIFICATION
- LOGO TE OR AMP
 TE OR AMP STAMP
- MARQUAGE MATIERE
 MATERIAL IDENTIFICATION
- MARQUAGE DU MOULE (OPTION)
 MOLD IDENTIFICATION (OPTIONAL)
- INDICE DE REVISION DE MOULE (EMPLACEMENT OPTIONNEL)
 MOLD REVISION NUMBER (OPTIONAL LOCATION)
- NUMERO D'EMPREINTE DE MOULE
 MOLD CAVITY IDENTIFICATION NUMBER
- DATEUR (EMPLACEMENT OPTIONNEL)
 DATE CODE (OPTIONAL LOCATION)
- REFERENCE TE
 TE PN



THIS DRAWING IS A CONTROLLED DOCUMENT FOR TYCO ELECTRONICS CORPORATION IT IS SUBJECT TO CHANGE AND THE CONTROLLING ENGINEERING ORGANIZATION SHOULD BE CONTACTED FOR THE LATEST REVISION. CE PLAN EST UN DOCUMENT CONTROLÉ PAR AMP INCORPORATED. IL EST SUSCEPTIBLE D'ÊTRE REVISÉ. CONTACTER LE SERVICE TECHNIQUE D'AMP DE FRANCE POUR OBTENIR LA DERNIÈRE REVISION.		DWN/DESSINE 13JAN00 O. LEMAIRE CHK/VERIFIE 14FEB00 J. LALANGE APVD/APROUVE 14FEB00 JJ. REVIL		TYCO Electronics France 95301 PONTOISE	
DIMENSIONS: mm		TOLERANCES UNLESS OTHERWISE SPECIFIED: (SUIVI NB DE DECIMALES) 0 P.LC/DEC. ± 1 P.LC/DEC. ± 2 P.LC/DEC. ±0.2 3 P.LC/DEC. ± 4 P.LC/DEC. ± ANGLES ±5°		PRODUCT SPEC SPEC. PRODUIT 108-15236 APPLICATION SPEC SPEC. APPLICATION 411-15635	
MATERIAL/MATIERE PBT GF20		FINISH/FINITION		WEIGHT MASSE APPROX. 1.2g	
CUSTOMER DRAWING /PLAN CLIENT		UNIQUEMENT POUR REFERENCE		SCALE ECHELLE 5:1	
SIZE FORMAT A2		CAGE CODE 00779		DRAWING NO No PLAN C-1379029	
SHEET FEUILLE 1		OF DE 1		REV B	

X-ON Electronics

Largest Supplier of Electrical and Electronic Components

Click to view similar products for [Automotive Connectors](#) category:

Click to view products by [TE Connectivity](#) manufacturer:

Other Similar products are found below :

[003-018-000](#) [60403001](#) [60993906-B](#) [M902-2131](#) [M902-2161](#) [72.330.1035.1](#) [73.353.4028.0](#) [F119300-B](#) [F166900](#) [F258300-B](#) [F358300-B](#)
[F407400](#) [F444110](#) [F487000](#) [F509500B-B](#) [827153-1](#) [8N1515-32-24P](#) [9-1326729-8](#) [925474-1](#) [928905-1](#) [964562-4](#) [968782-1](#) [GT17SA-8DS-](#)
[HU](#) [98891-1012](#) [98947-1016](#) [12004147](#) [12004475-L](#) [12010290](#) [12010309-B](#) [12015454](#) [12020219-B](#) [12020308](#) [12041318-B](#) [12052225-L](#)
[12052466](#) [12059125](#) [12064869](#) [12004327-B](#) [12010503-B](#) [12015308](#) [12015384](#) [12015909](#) [1-21030-1](#) [12041254](#) [12041318](#) [12047946-B](#)
[12047957](#) [12047957-L](#) [12059473](#) [12066261](#)