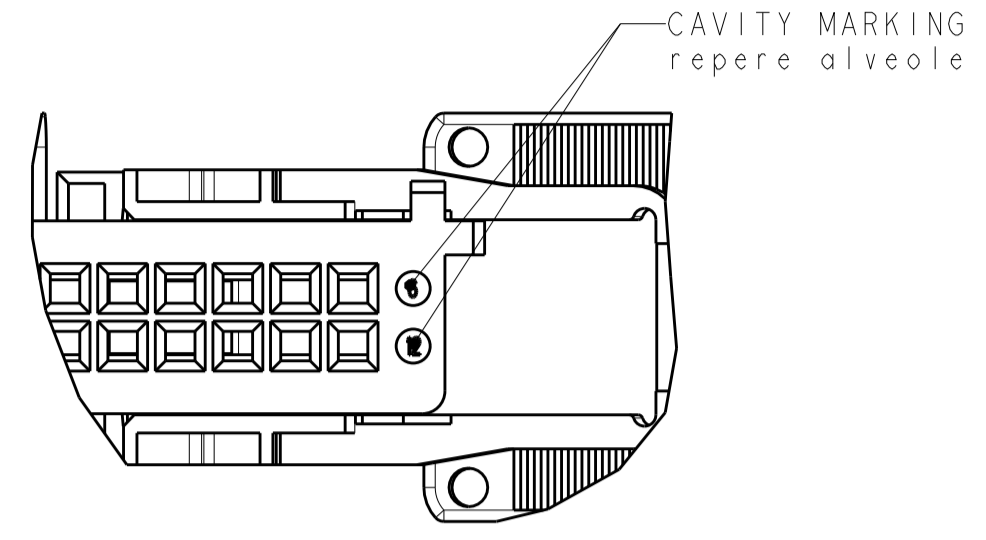


REVISIONS						
P.	LTN	REV	DESCRIPTION MODIFICATIONS	DATE	DWN BESS.	APVD APP.
B			ADDED PN 1379095-3	12AUG2003	MP	XR
C			ADDED ASSEMBLY DATE CODE	13JUL2007	MP	XR
D			DIMENSIONS UPDATED AND NOTE 1 ADDED	20AUG2010	EC	XR
E			UPDATED MOLD CAVITY MARKING OF COVER	07MAY2019	ASB	GKT

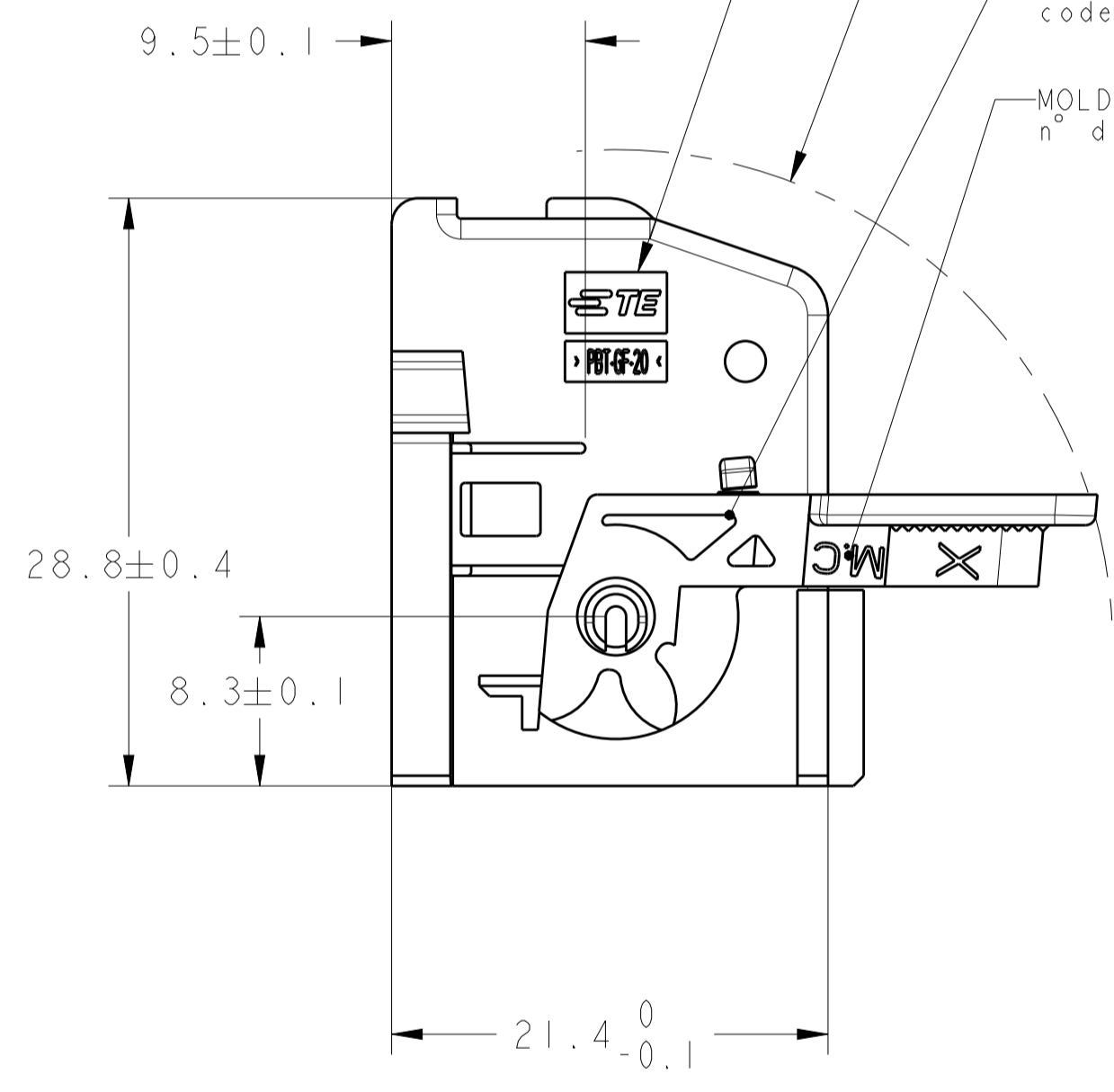


"AMP" OR  
"TYCO ELECTRONICS" OR "TE"  
STAMP  
LOGO "AMP" OU  
"TYCO ELECTRONICS"  
ou "TE"

R24.4REF  
VOLUME OF THE LEVER  
(encombrement levier)

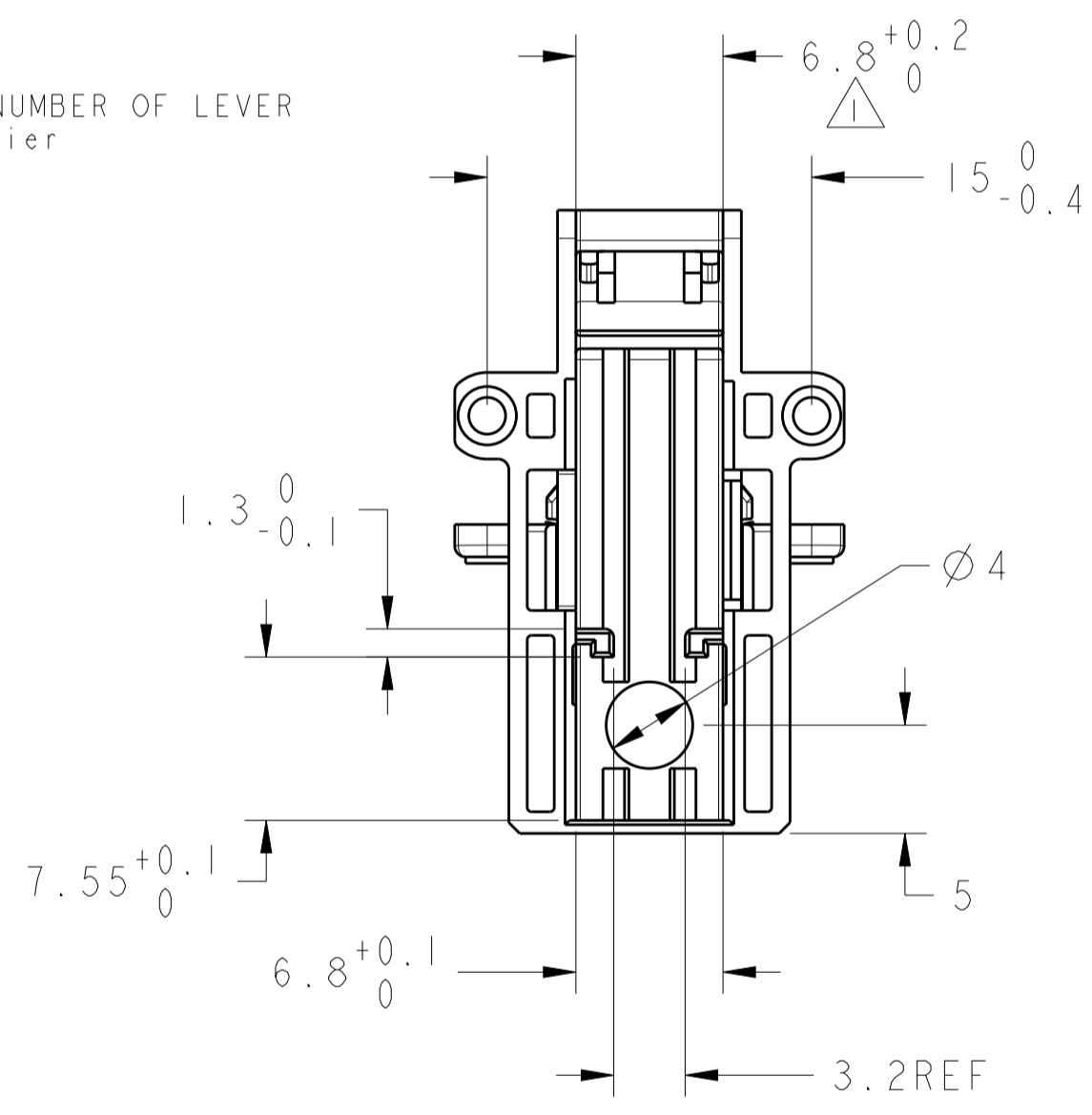
EXCHANGEABLE MANUFACTURING DATE OF LEVER  
code date du moulage levier

MOLD CAVITY IDENTIFICATION NUMBER OF LEVER  
n° d'empreinte du moule levier



EXCHANGEABLE MANUFACTURING DATE SHIELD  
code date du moulage porte module

ⓔ MOLD IDENTIFICATION NUMBER OF SHIELD  
n° d'empreinte du moule du porte module

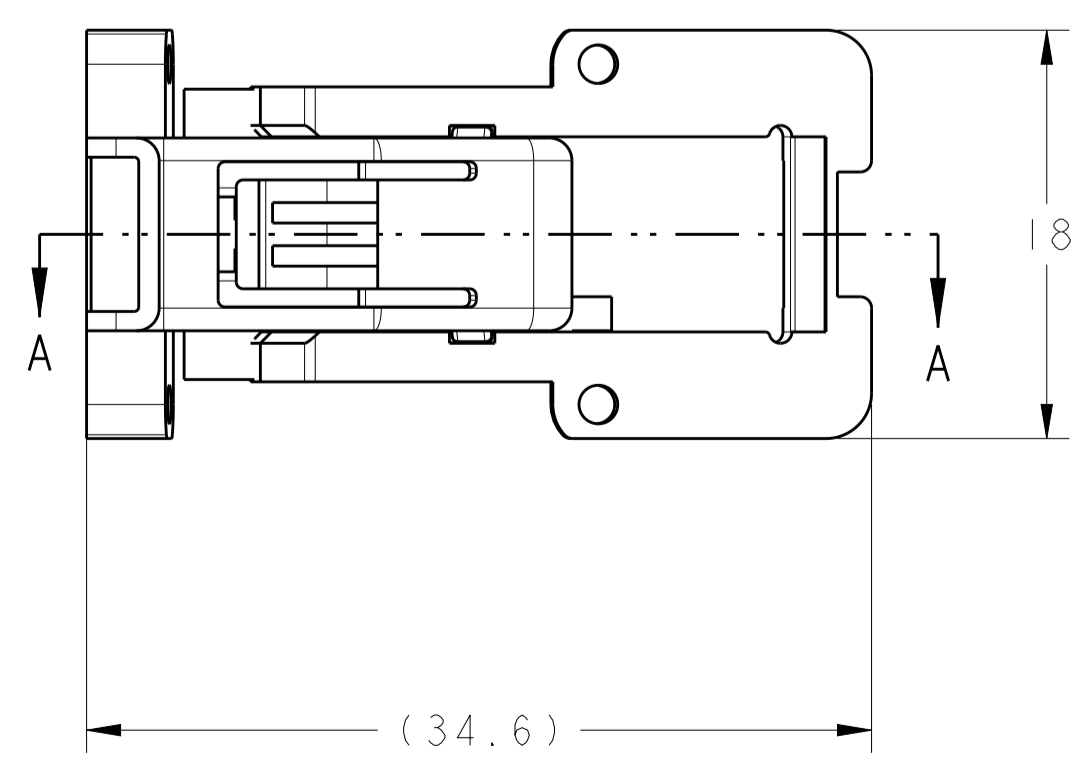
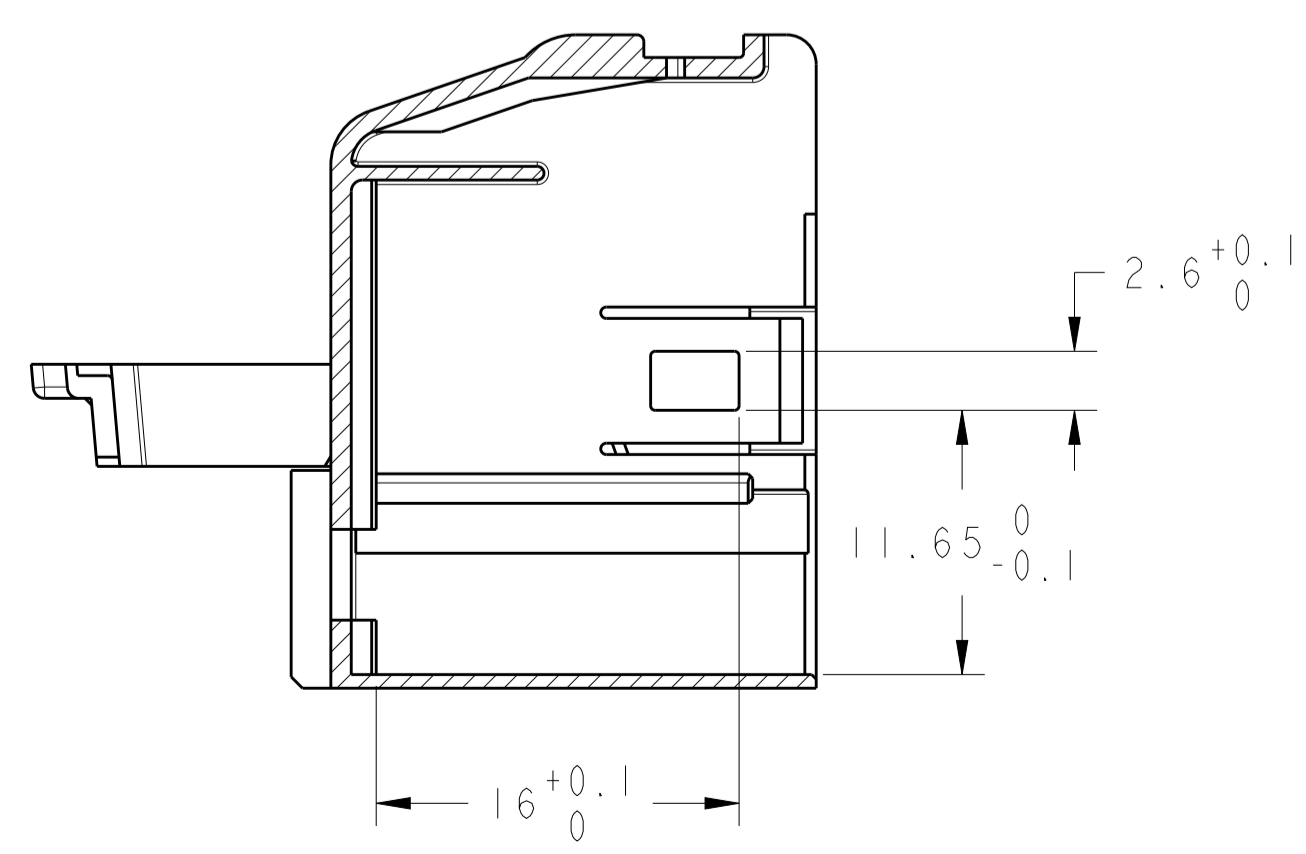


DESIGNATION designation	ITEM rep.	QTTY qte	MATERIAL matiere	TE PN ref TE	COLOR couleur	KEYING detrompage
SHIELD capot	1	1	PBT GF 20% PBT 20% FV	1379095-3	BLACK noir	
LEVER levier	2	1	PBT GF 20% PBT 20% FV		BLACK noir	
SHIELD capot	1	1	PBT GF 20% PBT 20% FV	1379095-2	BLUE bleu	
LEVER levier	1	1	PBT GF 20% PBT 20% FV		BLACK noir	
SHIELD capot	1	1	PBT GF 20% PBT 20% FV	1379095-1	BROWN marron	
LEVER levier	2	1	PBT GF 20% PBT 20% FV		BLACK noir	

△ ALLOWED DEFORMATION 0.3MAX

ASSEMBLY DATE CODE OPTIONAL  
date code de l'assemblage optionnel

COUPE A-A



THIS DRAWING IS A CONTROLLED DOCUMENT. CE PLAN EST UN DOCUMENT CONTROLÉ PAR AMP INCORPORATED. IL EST SOUS LE CONTRÔLE DE LA DIVISION CLIENTS DE SERVICE. TOUT CHANGEMENT DE STATUT DOIT ÊTRE NOTIFIÉ AU DÉPARTEMENT CONCERNÉ.		DWN/DESSINE M. POLIFONTE 06OCT99	NAME SHIELD + LEVER FOR MQS 12 POS (0) ASSY GENE 11 PORTE-MODULE 12 VOIES MQS GENE 11 ASSY (0)
DIMENSIONS: mm		CHK/REVISE J. LALANDE 06OCT99	PRODUCT SPEC SPEC. PRODUCT 108-15261
TOLERANCES UNLESS OTHERWISE SPECIFIED: 0 PLG/DEC: #: 1 PLG/DEC: #: 2 PLG/DEC: #0.2 4 PLG/DEC: #: ANGLES: #°		APVD/APPROVE J. LALANDE 06OCT99	APPLICATION SPEC SPEC. APPLICATION 411-15565
MATERIAL/MATIERE VOIR TABLEAU	FINISH/FINITION VOIR TABLEAU	WEIGHT MASSE APPROX. 3.2g	SIZE FORMA1
CUSTOMER DRAWING /PLAN CLIENT		CAGE CODE /DRAWING NO A100779	RESTRICTED TO RESERVE A
UNIQUEMENT POUR RÉFÉRENCE		SCALE ECHELLE 3:1	SHEET OF FEUILLE 1 DE 1

## X-ON Electronics

Largest Supplier of Electrical and Electronic Components

*Click to view similar products for [Automotive Connectors](#) category:*

*Click to view products by [TE Connectivity](#) manufacturer:*

Other Similar products are found below :

[003-018-000](#) [60403001](#) [60993906-B](#) [M902-2131](#) [M902-2161](#) [72.330.1035.1](#) [73.353.4028.0](#) [F119300-B](#) [F166900](#) [F258300-B](#) [F358300-B](#)  
[F407400](#) [F444110](#) [F487000](#) [F509500B-B](#) [827153-1](#) [8N1515-32-24P](#) [9-1326729-8](#) [925474-1](#) [928905-1](#) [964562-4](#) [968782-1](#) [GT17SA-8DS-](#)  
[HU](#) [98891-1012](#) [98947-1016](#) [12004147](#) [12004475-L](#) [12010290](#) [12010309-B](#) [12015454](#) [12020219-B](#) [12020308](#) [12041318-B](#) [12052225-L](#)  
[12052466](#) [12059125](#) [12064869](#) [12004327-B](#) [12010503-B](#) [12015308](#) [12015384](#) [12015909](#) [1-21030-1](#) [12041254](#) [12041318](#) [12047946-B](#)  
[12047957](#) [12047957-L](#) [12059473](#) [12066261](#)