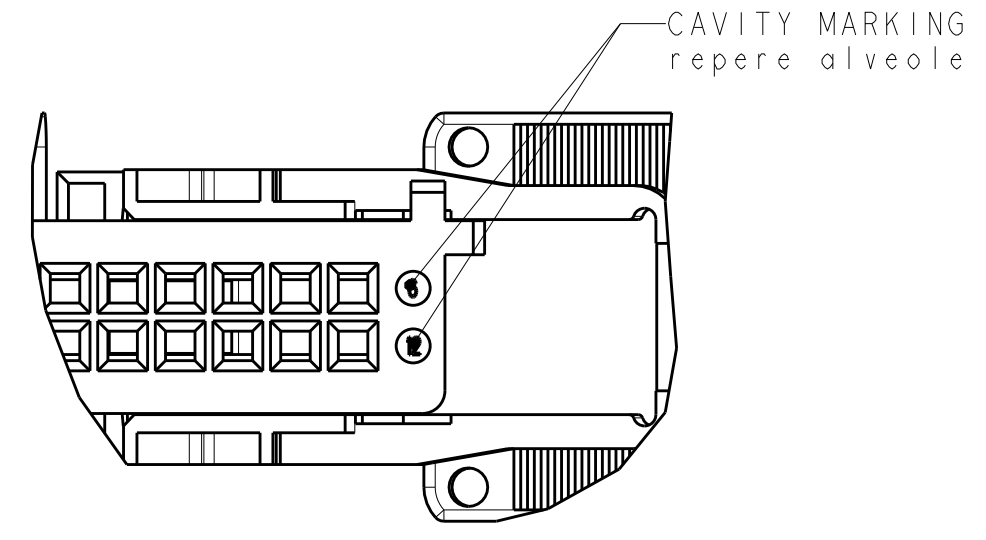


REVISIONS						
P.	LTN	REV	DESCRIPTION MODIFICATIONS	DATE	DWN BESS.	APVD APP.
B			ADDED PN 1379095-3	12AUG2003	MP	XR
C			ADDED ASSEMBLY DATE CODE	13JUL2007	MP	XR
D			DIMENSIONS UPDATED AND NOTE 1 ADDED	20AUG2010	EC	XR
E			UPDATED MOLD CAVITY MARKING OF COVER	07MAY2019	ASB	GKT

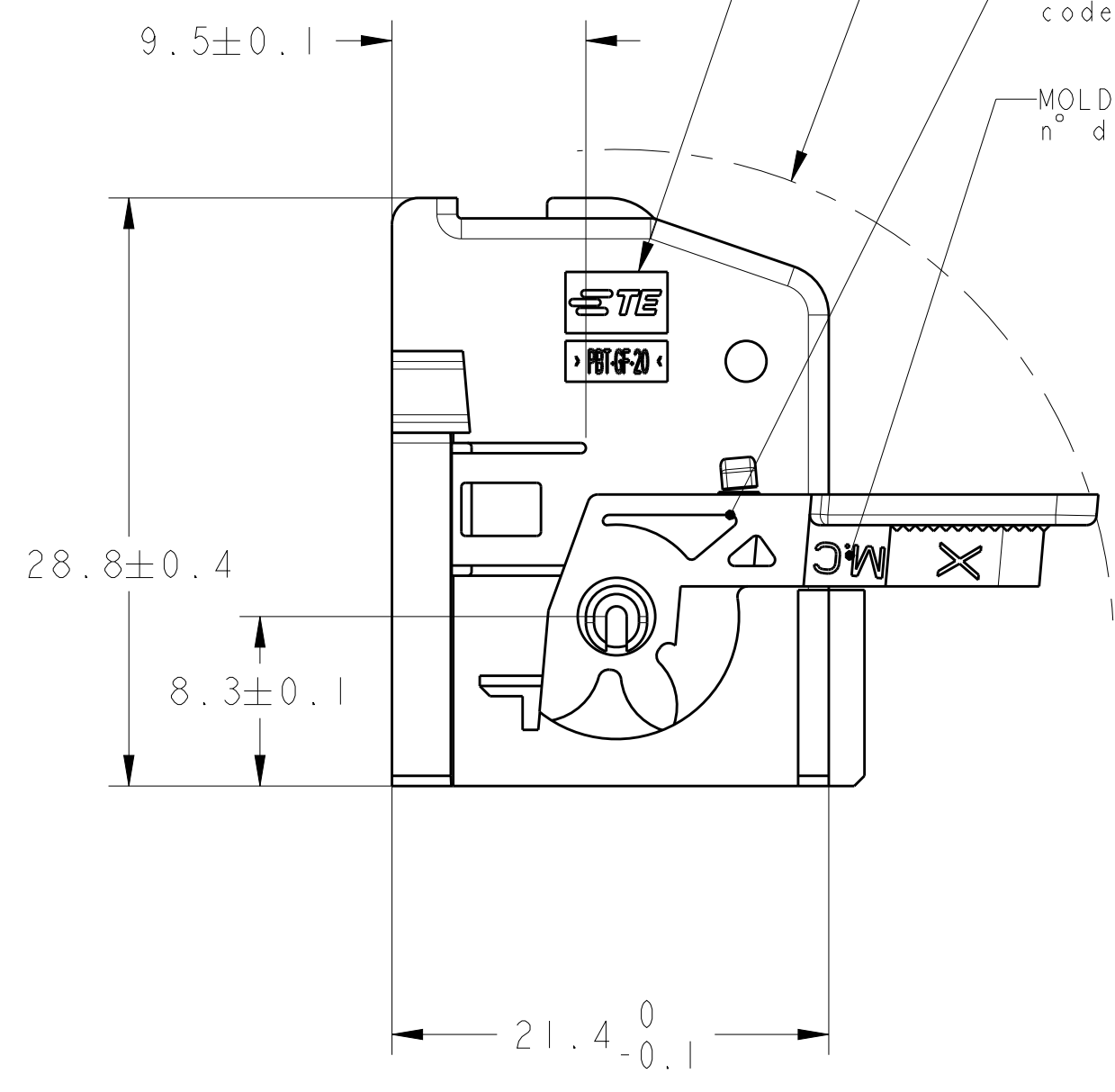


"AMP" OR
"TYCO ELECTRONICS" OR "TE"
STAMP
LOGO "AMP" OU
"TYCO ELECTRONICS"
ou "TE"

R24.4REF
VOLUME OF THE LEVER
(encombrement levier)

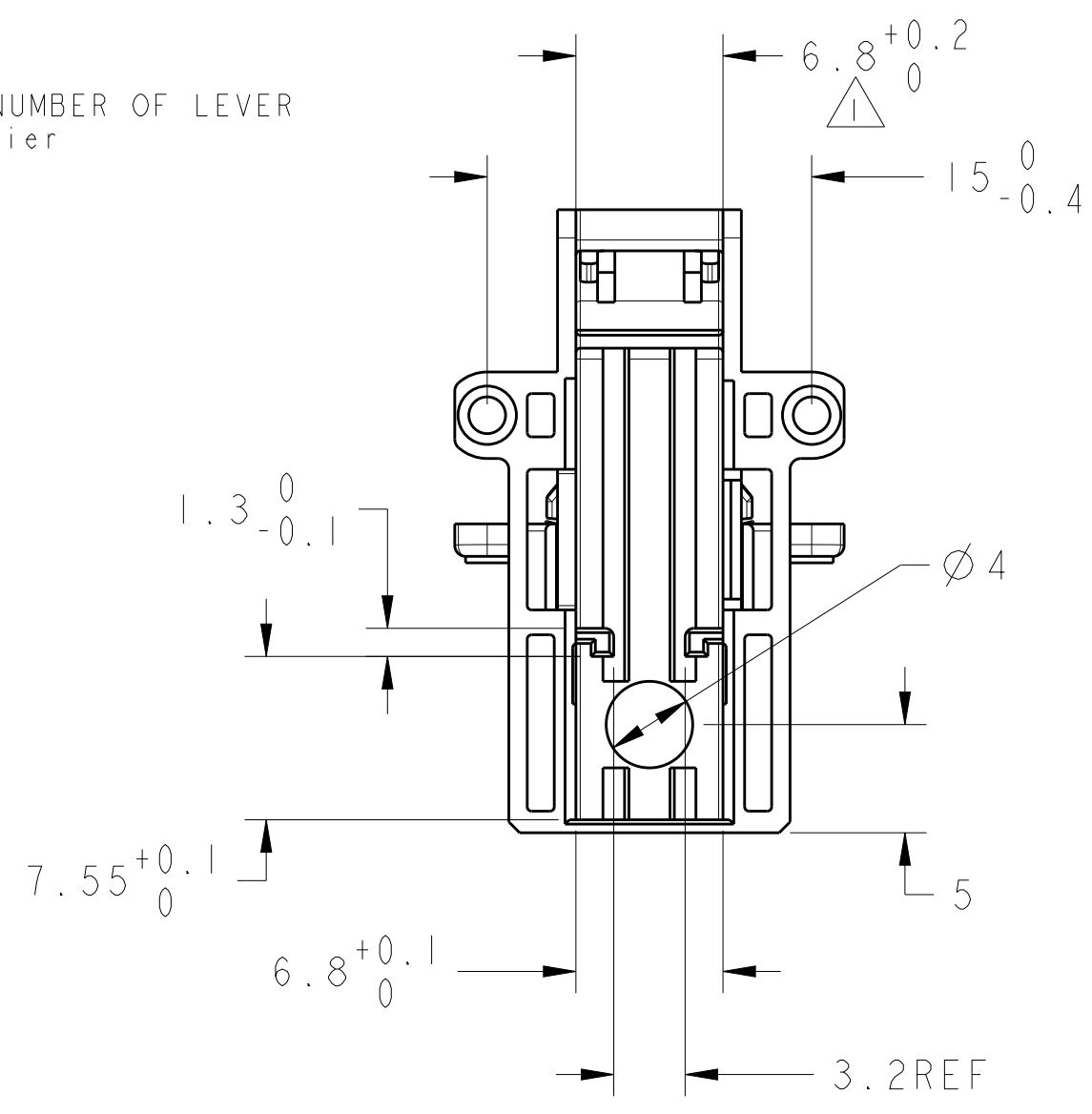
EXCHANGEABLE MANUFACTURING DATE OF LEVER
code date du moulage levier

MOLD CAVITY IDENTIFICATION NUMBER OF LEVER
n° d'empreinte du moule levier



EXCHANGEABLE MANUFACTURING DATE SHIELD
code date du moulage porte module

ⓔ MOLD IDENTIFICATION NUMBER OF SHIELD
n° d'empreinte du moule du porte module

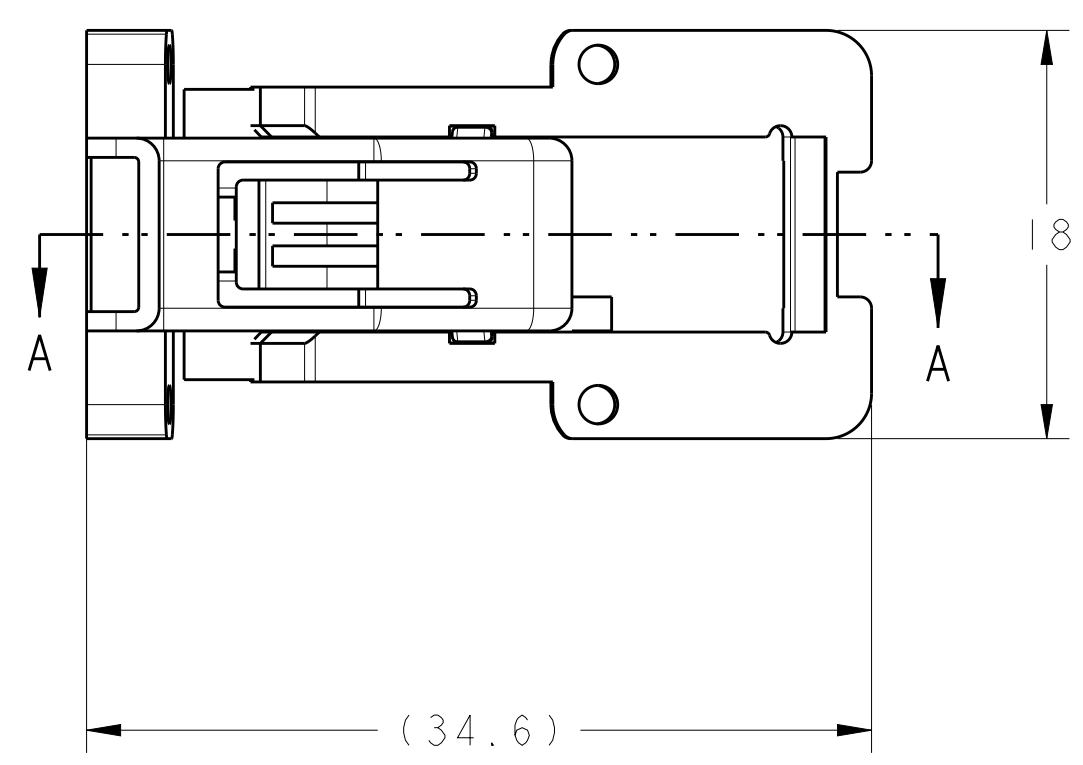
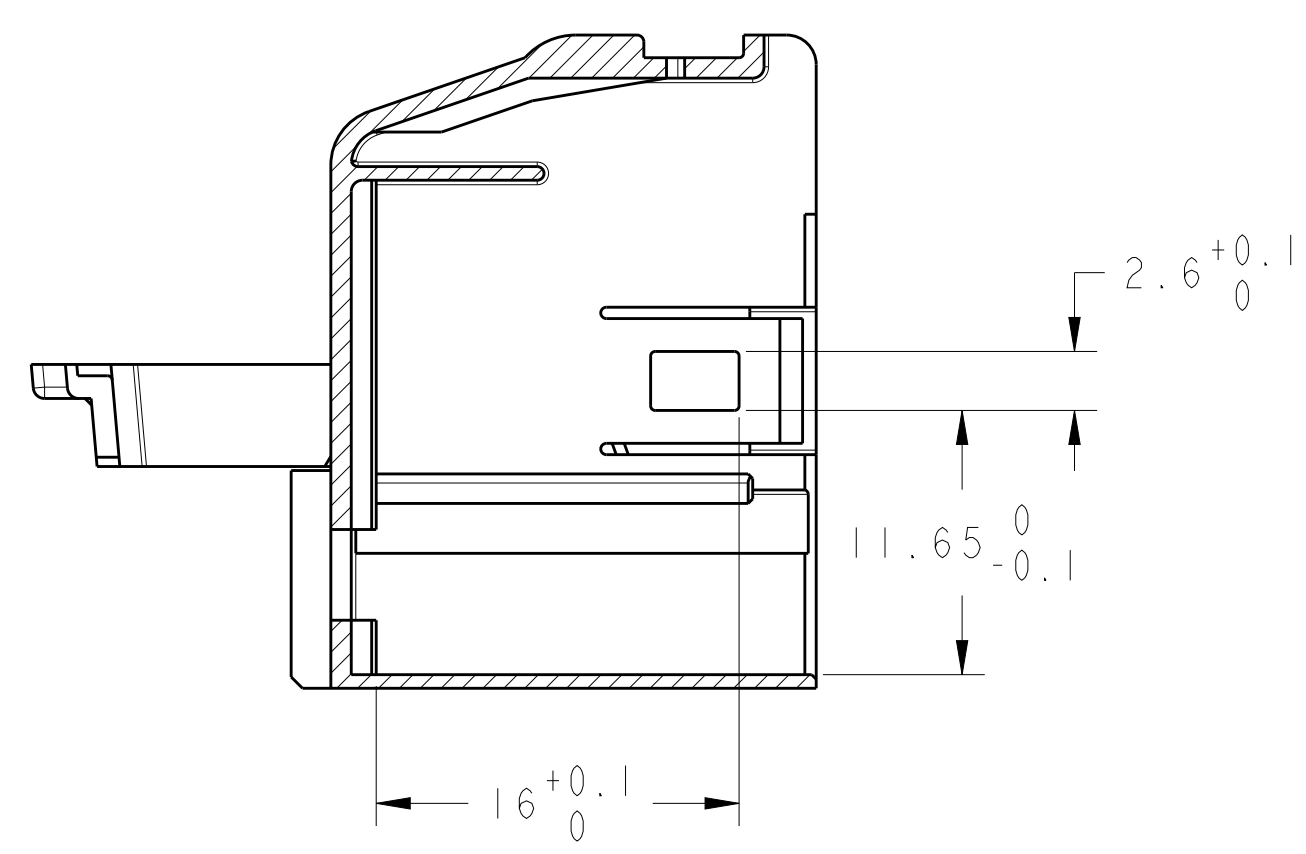


DESIGNATION designation	ITEM rep.	QTTY qte	MATERIAL matiere	TE PN ref TE	COLOR couleur	KEYING detrompage
SHIELD capot	1	1	PBT GF 20% PBT 20% FV	1379095-3	BLACK noir	
LEVER levier	2	1	PBT GF 20% PBT 20% FV		BLACK noir	
SHIELD capot	1	1	PBT GF 20% PBT 20% FV	1379095-2	BLUE bleu	
LEVER levier	1	1	PBT GF 20% PBT 20% FV		BLACK noir	
SHIELD capot	1	1	PBT GF 20% PBT 20% FV	1379095-1	BROWN marron	
LEVER levier	2	1	PBT GF 20% PBT 20% FV		BLACK noir	

△ ALLOWED DEFORMATION 0.3MAX

ASSEMBLY DATE CODE OPTIONAL
date code de l'assemblage optionnel

COUPE A-A



THIS DRAWING IS A CONTROLLED DOCUMENT. CE PLAN EST UN DOCUMENT CONTROLÉ PAR AMP INCORPORATED. IL EST SOUS LE CONTRÔLE DE LA DIVISION COMMERCIAL SERVICE. TOUT CHANGEMENT DE STATUT DOIT ÊTRE NOTIFIÉ AU DÉPARTEMENT RELEVANT.		DWN/DESSINE M. POLIFONTE 06OCT99	TE Connectivity
DIMENSIONS: mm		CHK/REVISE J. LALANDE 06OCT99	
TOLERANCES UNLESS OTHERWISE SPECIFIED: 0 PLG/DEC: #: 1 PLG/DEC: #: 2 PLG/DEC: #0.2 4 PLG/DEC: #: ANGLES: #°		APVD/APPROVE J. LALANDE 06OCT99	NAME SHIELD + LEVER FOR MQS 12 POS (0) ASSY GENE 11 PORTE-MODULE 12 VOIES MQS GENE 11 ASSY (0)
MATERIAL/MATIERE VOIR TABLEAU		PRODUCT SPEC SPEC. PRODUCT 108-15261 APPLICATION SPEC SPEC. APPLICATION 411-15565	SIZE FORM 1 CAGE CODE DRAWING NO No. PLAN A100779 ©=1379095
FINISH/FINITION VOIR TABLEAU		WEIGHT MASSE APPROX. 3.2g	RESTRICTED TO RESERVE A -
CUSTOMER DRAWING		/PLAN CLIENT	UNIQUEMENT POUR REFERENCE
		SCALE ECHELLE 3:1	SHEET FEUILLE 1
			OF DE 1
			REV E

X-ON Electronics

Largest Supplier of Electrical and Electronic Components

Click to view similar products for [Automotive Connectors](#) category:

Click to view products by [TE Connectivity](#) manufacturer:

Other Similar products are found below :

[003-018-000](#) [60403001](#) [60993906-B](#) [M902-2131](#) [M902-2161](#) [72.330.1035.1](#) [73.353.4028.0](#) [F119300-B](#) [F166900](#) [F258300-B](#) [F358300-B](#)
[F407400](#) [F444110](#) [F487000](#) [F509500B-B](#) [827153-1](#) [8N1515-32-24P](#) [9-1326729-8](#) [925474-1](#) [928905-1](#) [964562-4](#) [968782-1](#) [GT17SA-8DS-](#)
[HU](#) [98891-1012](#) [98947-1016](#) [12004147](#) [12004475-L](#) [12010290](#) [12010309-B](#) [12015454](#) [12020219-B](#) [12020308](#) [12041318-B](#) [12052225-L](#)
[12052466](#) [12059125](#) [12064869](#) [12004327-B](#) [12010503-B](#) [12015308](#) [12015384](#) [12015909](#) [1-21030-1](#) [12041254](#) [12041318](#) [12047946-B](#)
[12047957](#) [12047957-L](#) [12059473](#) [12066261](#)