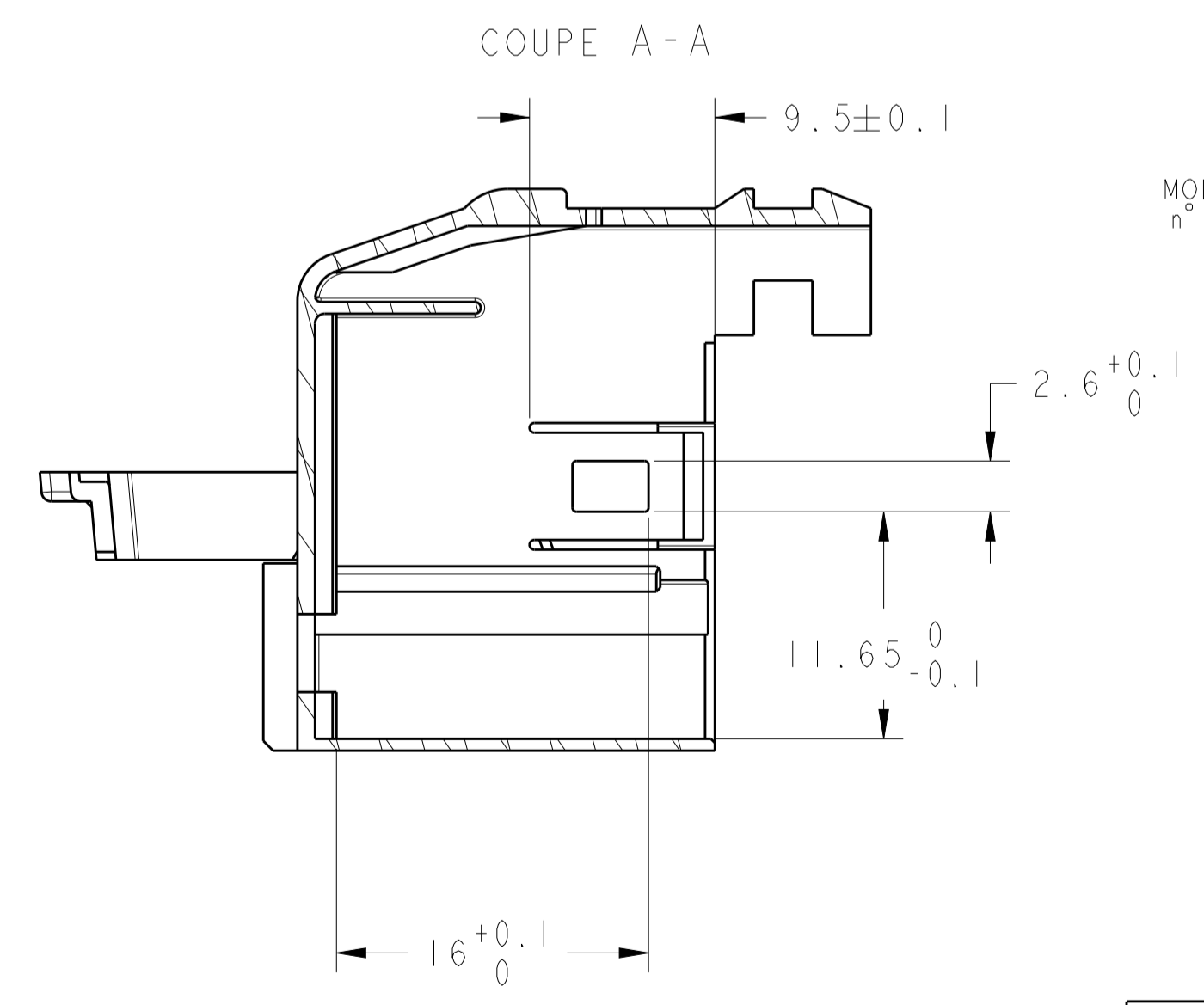
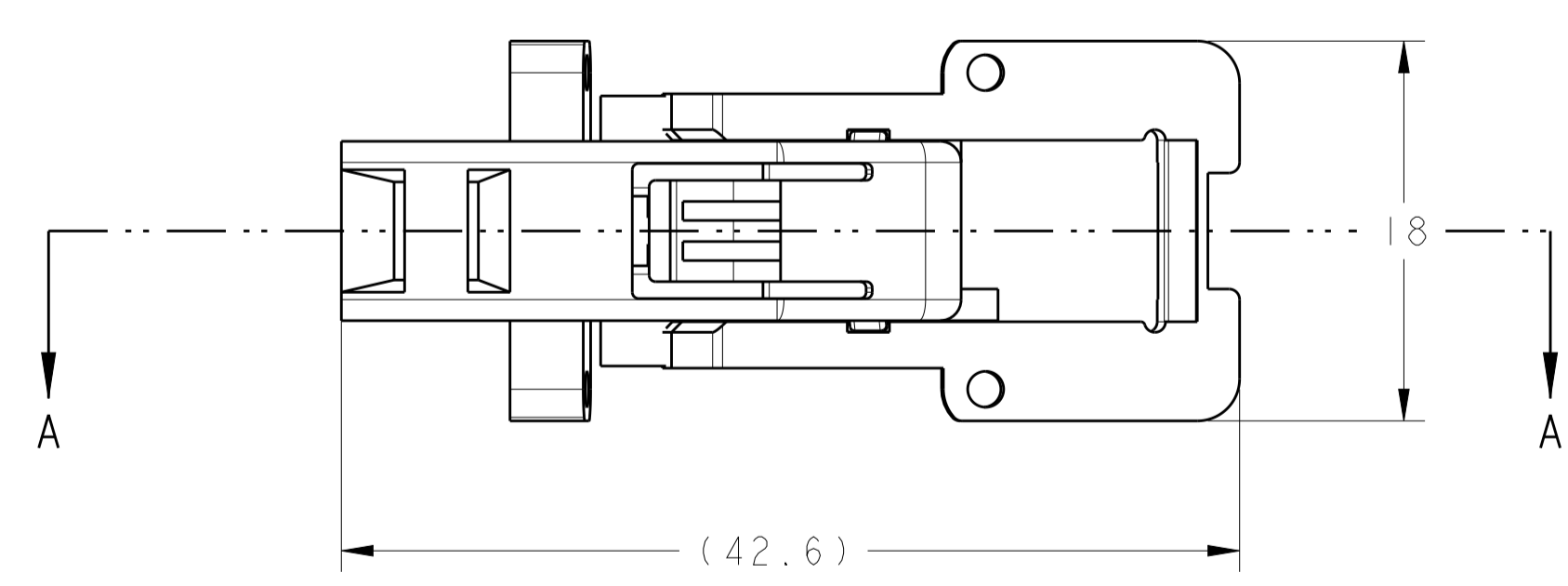
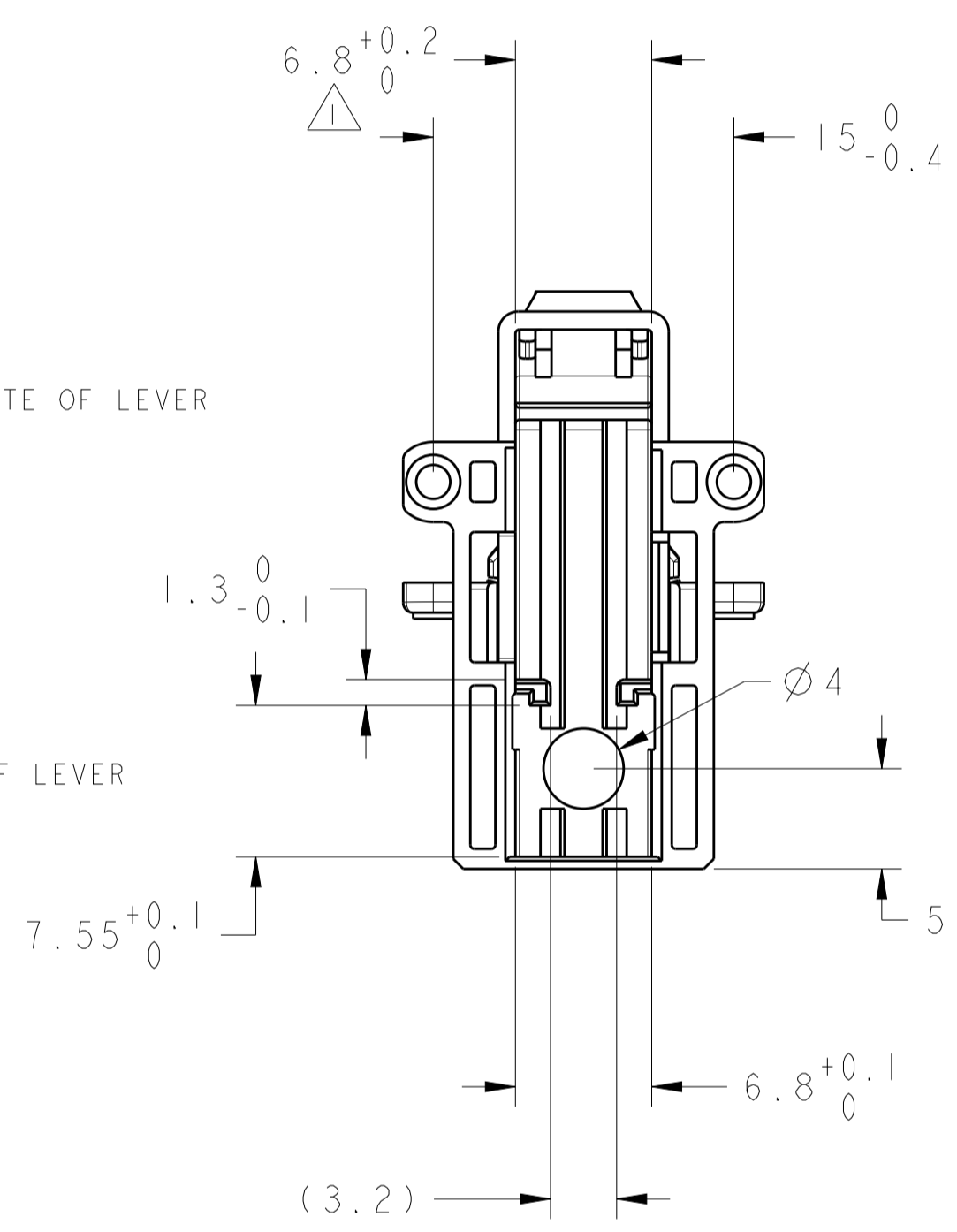
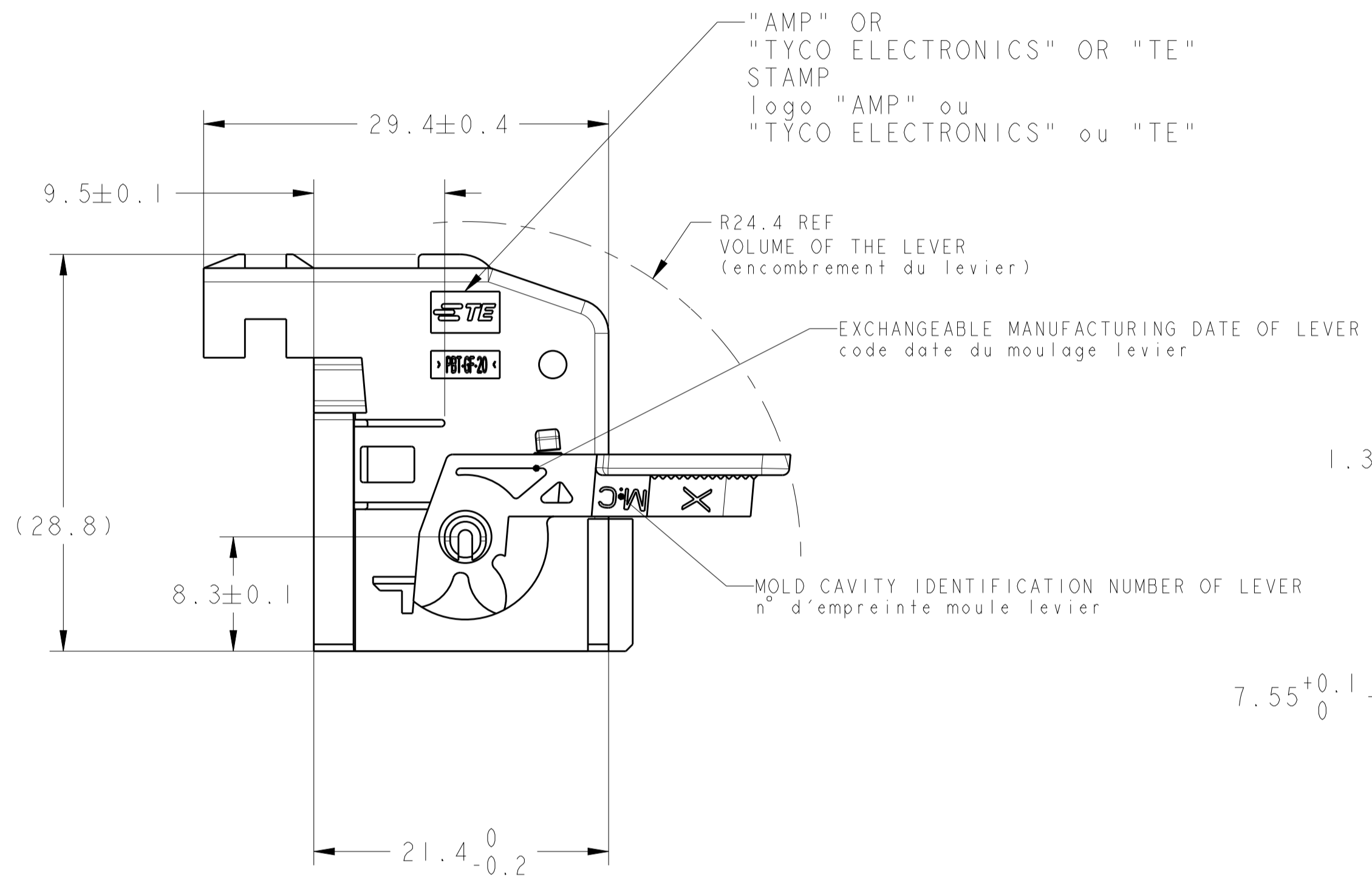
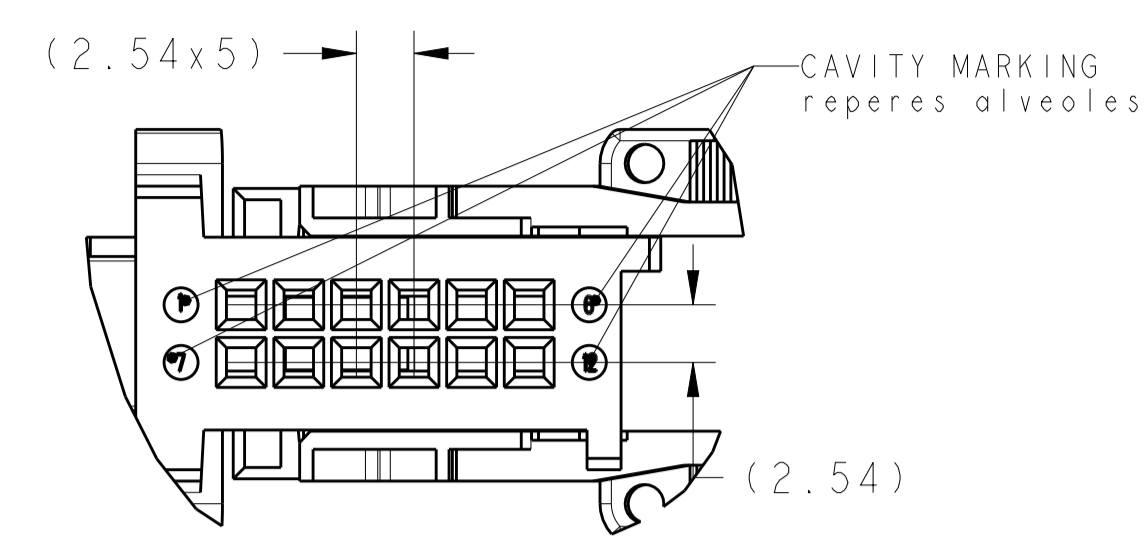
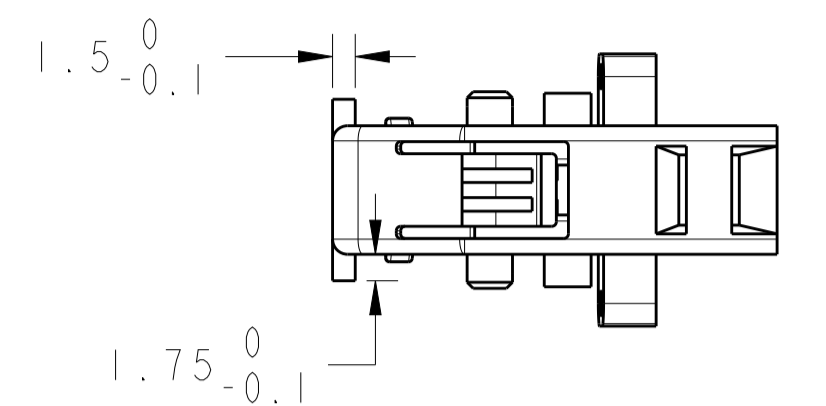
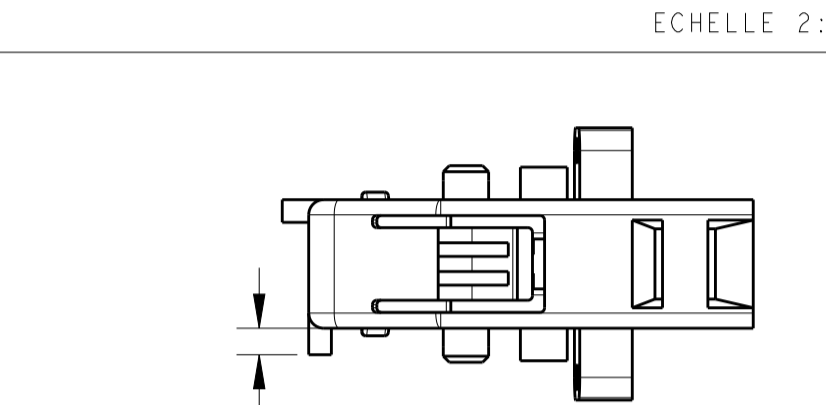
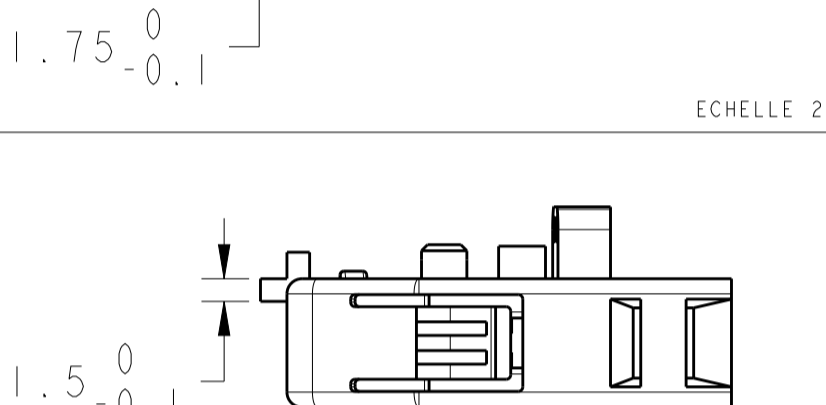
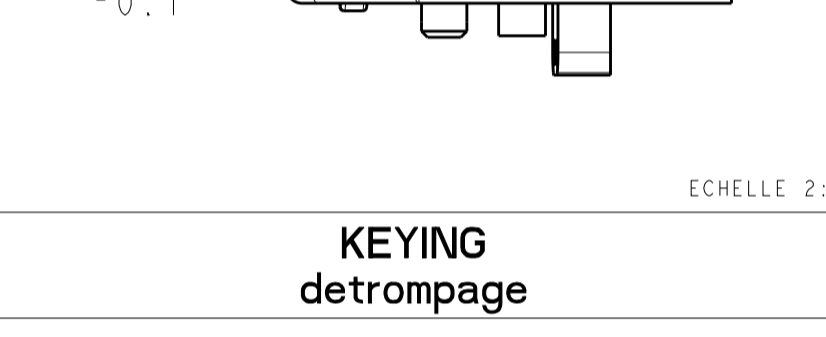

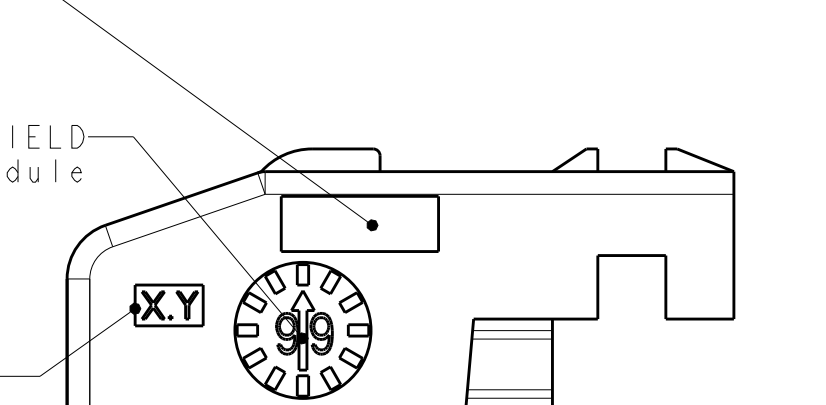


REVISIONS						
P.	LTN	REV	DESCRIPTION MODIFICATIONS	DATE	DWN. RESS.	APVD. APP.
B			ADDED PN 1379096-3 AND DIMENSION 9.5±0.1	12AUG2003	MP	XR
C			ADDED ASSEMBLY DATE CODE	13JUL2007	MP	XR
D			DIMENSION 6.8 ADDED ON TOP WITH NOTE 1	20AUG2010	EC	XR
E			UPDATED MOLD CAVITY MARKING OF COVER	08MAY2019	ASB	GKT




DESCRIPTION designation	ITEM rep.	QTTY qte	MATERIEL matiere	TE PN ref TE	COLOR couleur	KEYING detrompage
SHIELD capot	1	1	PBT GF 20% PBT FV 20%	1379096-3	BLACK noir	
LEVER levier	2	1	PBT GF 20% PBT FV 20%	1379096-3	BLACK noir	
SHIELD capot	1	1	PBT GF 20% PBT FV 20%	1379096-2	BLUE bleu	
LEVER levier	2	1	PBT GF 20% PBT FV 20%	1379096-2	BLACK noir	
SHIELD capot	1	1	PBT GF 20% PBT FV 20%	1379096-1	BROWN marron	
LEVER levier	2	1	PBT GF 20% PBT FV 20%	1379096-1	BLACK noir	

△ ALLOWED DEFORMATION 0.3MAX

ASSEMBLY DATE CODE
date code de l'assemblage
OPTIONAL

EXCHANGEABLE MANUFACTURING DATE OF SHIELD
code date du moulage porte-module

MOLD IDENTIFICATION NUMBER OF SHIELD
n° d'empreinte du moule porte-module

THIS DRAWING IS A CONTROLLED DOCUMENT. CE PLAN EST UN DOCUMENT CONTROLÉ PAR AMP INCORPORATED. IL EST SOUSCÉLÉBRÉ À L'INTÉRIEUR DE LA COUVERTURE DE SERVICE. TOUT CHANGEMENT DE STATUT DOIT ÊTRE NOTIFIÉ À LA DIRECTION GÉNÉRALE.		DWN/DESSINE M. POLIFONTE 07OCT99	 TE Connectivity
DIMENSIONS: mm		CHK/REVISE J. LALANGE 08OCT99	
TOLERANCES: UNLESS OTHERWISE SPECIFIED (SAUF VUE DE DÉTAILS): 0 PLC/DEC: #- 1 PLC/DEC: #- 2 PLC/DEC: #0.2 3 PLC/DEC: #- 4 PLC/DEC: #- ANGLES: #°		APVD/APPROVE J. LALANGE 08OCT99	NAME SHIELD+LEVER FOR MOS 12 POS (90) ASSY GENE II -PORTE-MODULE 12 VOIES MOS (90) ASSY
MATERIAL/MATIERE SEE TABLE		PRODUCT SPEC 108-15261	RESTRICTED TO RESERVE A
FINISH/FINITION SEE TABLE		APPLICATION SPEC 411-1565	SIZE FORM 1
WEIGHT MASSES APPROX. 3.5g		CAGE CODE DRAWING NO. 100779	SCALE UNIFORMEMENT 3:1
CUSTOMER DRAWING		PLAN CLIENT	SHEET FEUILLE 1 DE 1

X-ON Electronics

Largest Supplier of Electrical and Electronic Components

Click to view similar products for [Automotive Connectors](#) category:

Click to view products by [TE Connectivity](#) manufacturer:

Other Similar products are found below :

[003-018-000](#) [60403001](#) [60993906-B](#) [M902-2131](#) [M902-2161](#) [72.330.1035.1](#) [73.353.4028.0](#) [F119300-B](#) [F166900](#) [F258300-B](#) [F358300-B](#)
[F407400](#) [F444110](#) [F487000](#) [F509500B-B](#) [827153-1](#) [8N1515-32-24P](#) [9-1326729-8](#) [925474-1](#) [928905-1](#) [964562-4](#) [968782-1](#) [GT17SA-8DS-](#)
[HU](#) [98891-1012](#) [98947-1016](#) [12004147](#) [12004475-L](#) [12010290](#) [12010309-B](#) [12015454](#) [12020219-B](#) [12020308](#) [12041318-B](#) [12052225-L](#)
[12052466](#) [12059125](#) [12064869](#) [12004327-B](#) [12010503-B](#) [12015308](#) [12015384](#) [12015909](#) [1-21030-1](#) [12041254](#) [12041318](#) [12047946-B](#)
[12047957](#) [12047957-L](#) [12059473](#) [12066261](#)