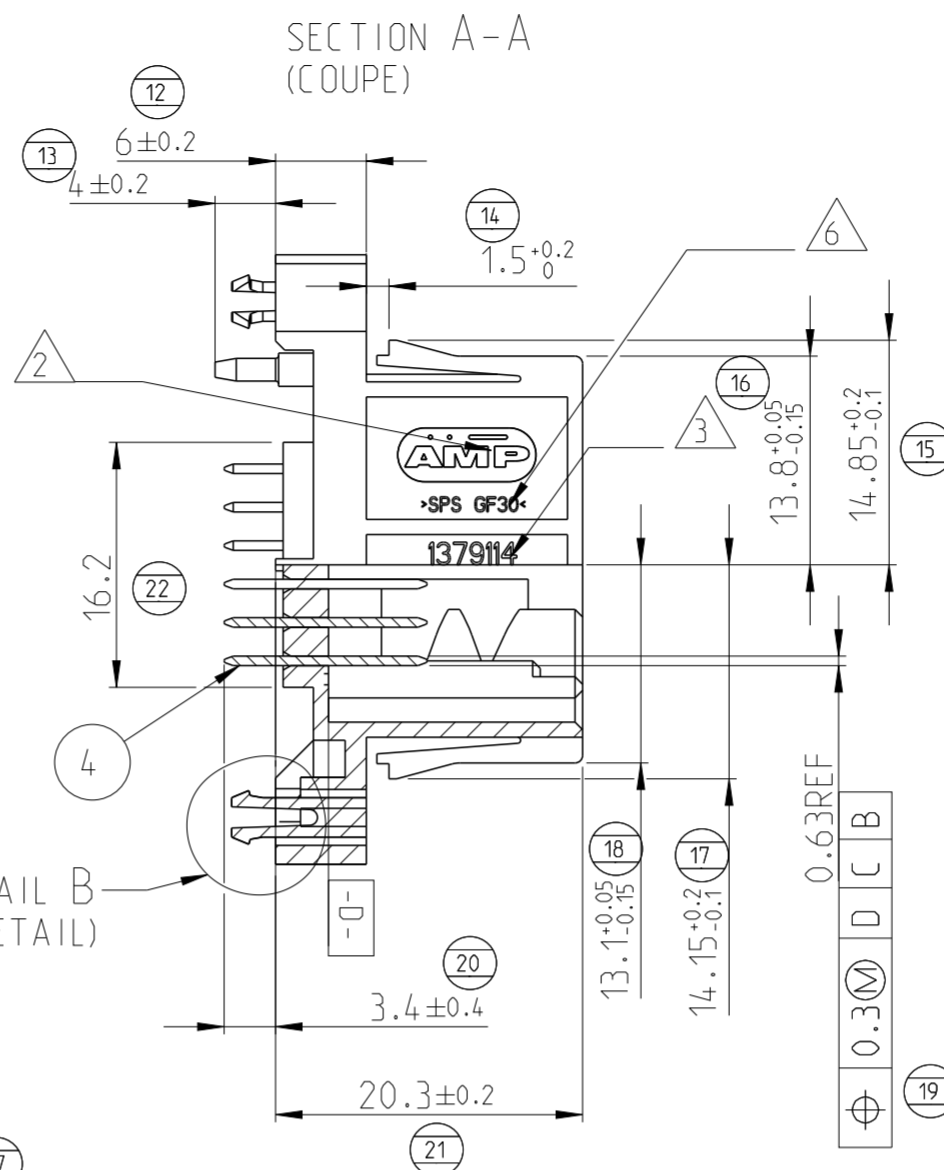
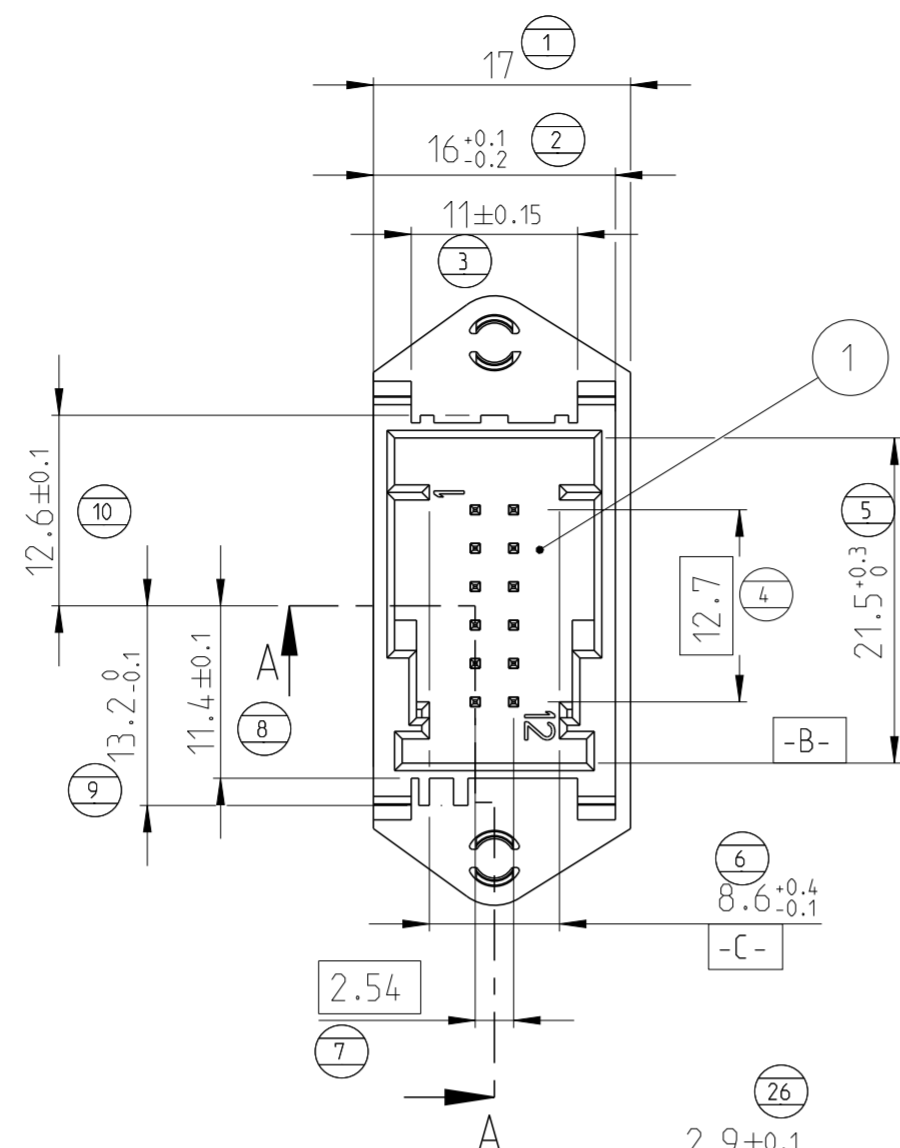
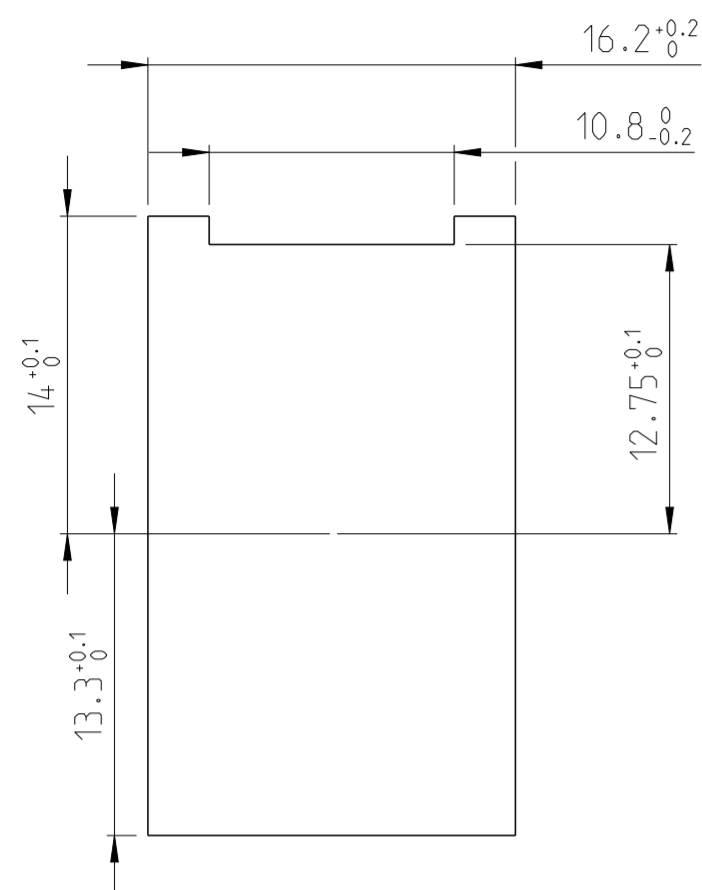


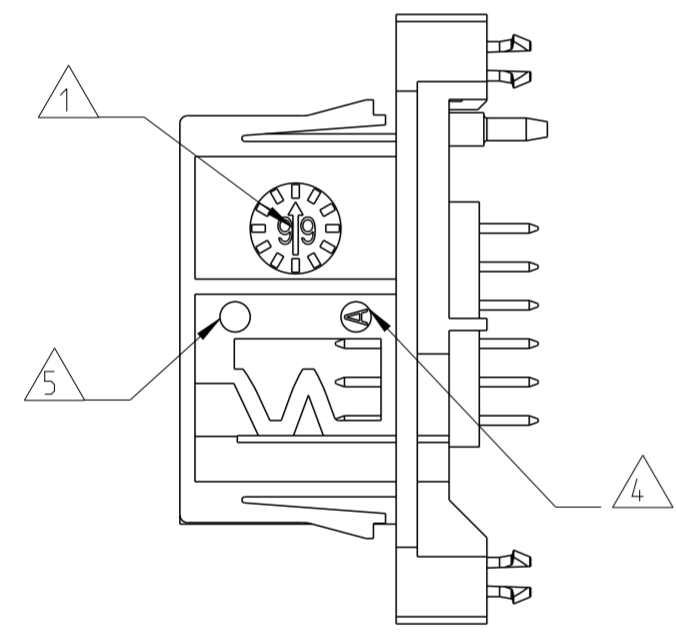
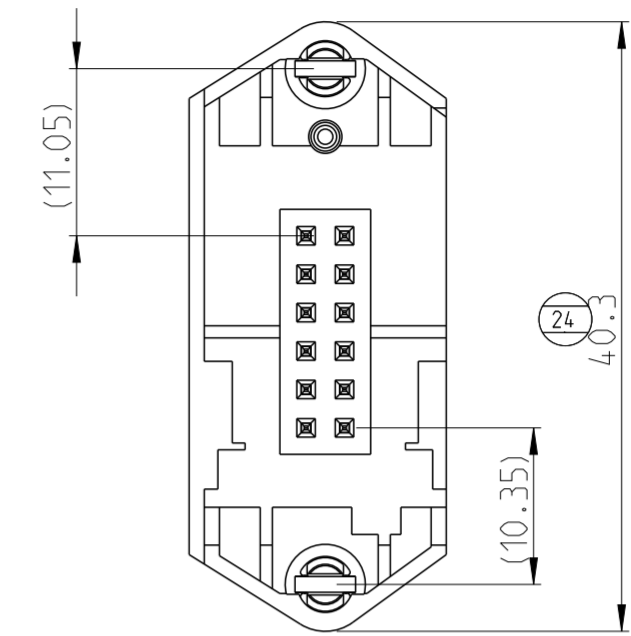
THIS DRAWING IS UNPUBLISHED. RELEASED FOR PUBLICATION
 © COPYRIGHT 20 BY - ALL RIGHTS RESERVED.

RECOMMANDATION DECOUPE PANNEAU
 RECOMMENDED PANEL CUTOUT

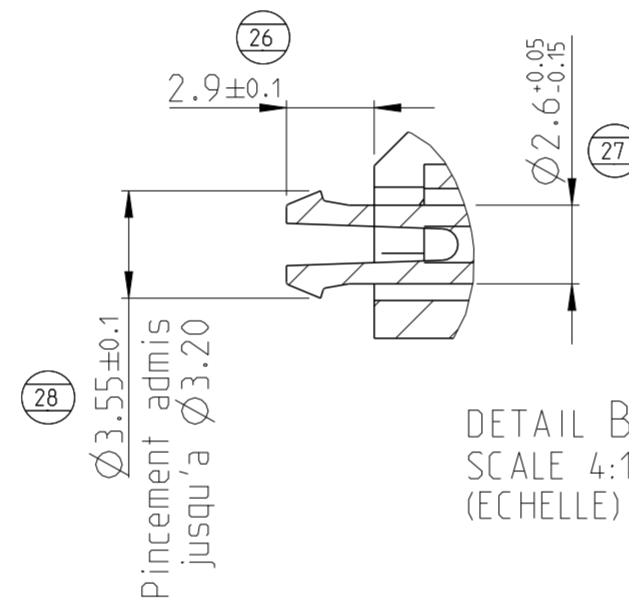
VUE DE DESSUS / VIEW FROM TOP



REVISIONS				
P	LTR	DESCRIPTION	DATE	APVD
A		ADD INFORMATION - UPDATED	03NOV2000	JL JLQ
B		CHANGE SPS MATERIAL	10OCT2001	SG JLQ
C		MODIFY MATERIAL TYPE IN TABLE	27FEB2009	SG JL
D		NEW P/N 1-1379114-1 FOR SPECIFIC PACKAGING	21JAN2015	NT.N JL



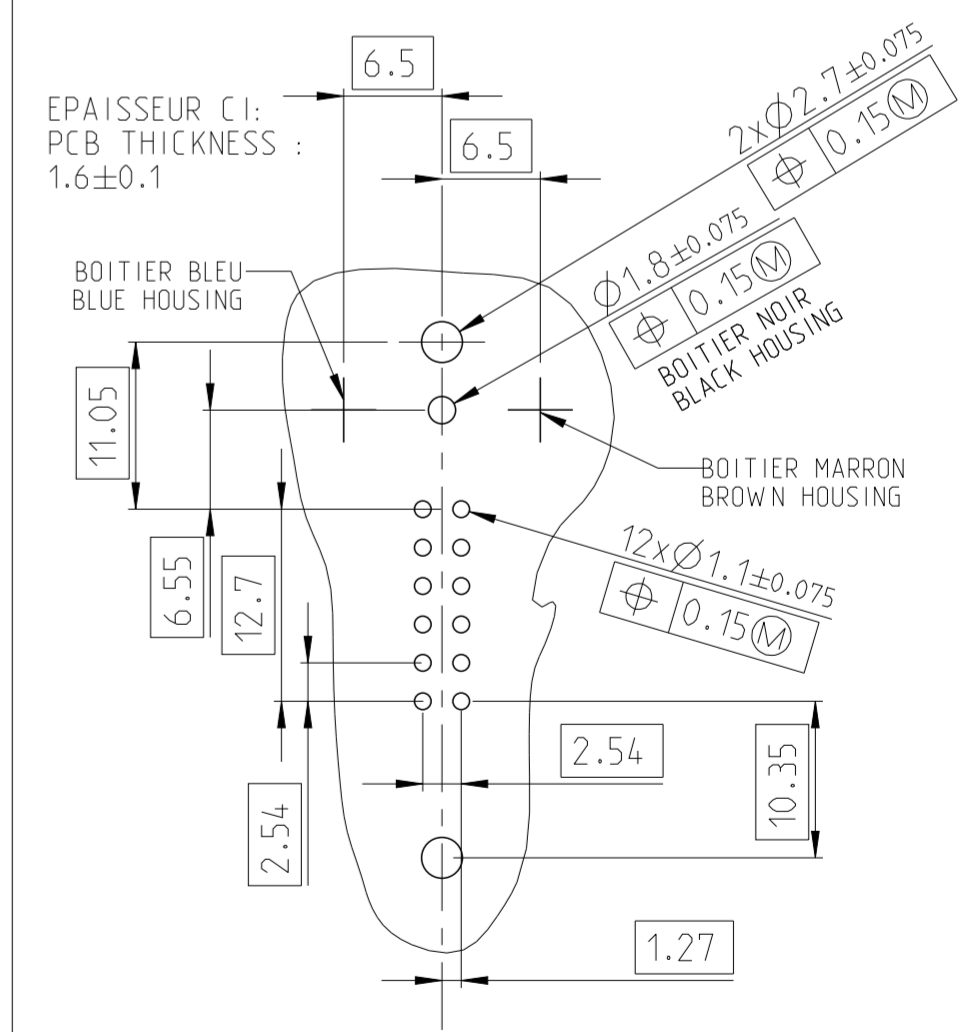
SEE DETAIL B
 (VOIR DETAIL)



- 1 DATE CODE
- 2 TE LOGO
LOGO DE TE
- 3 ASSY PART NUMBER
REFERENCE DU PRODUIT ASSEMBLE
- 4 REVISION STATUS
REVISION DU MOULE
- 5 CAVITY MARKING
N° D'EMPREINTE DU MOULE
- 6 NO CONTRACTUAL MARKING
MARQUAGE NON CONTRACTUEL
- 7 MATING PART :
CONNECTORS PN 185341 AND 185343
CONTRE PARTIE :
CONNECTEURS REF 185341 AND 185343

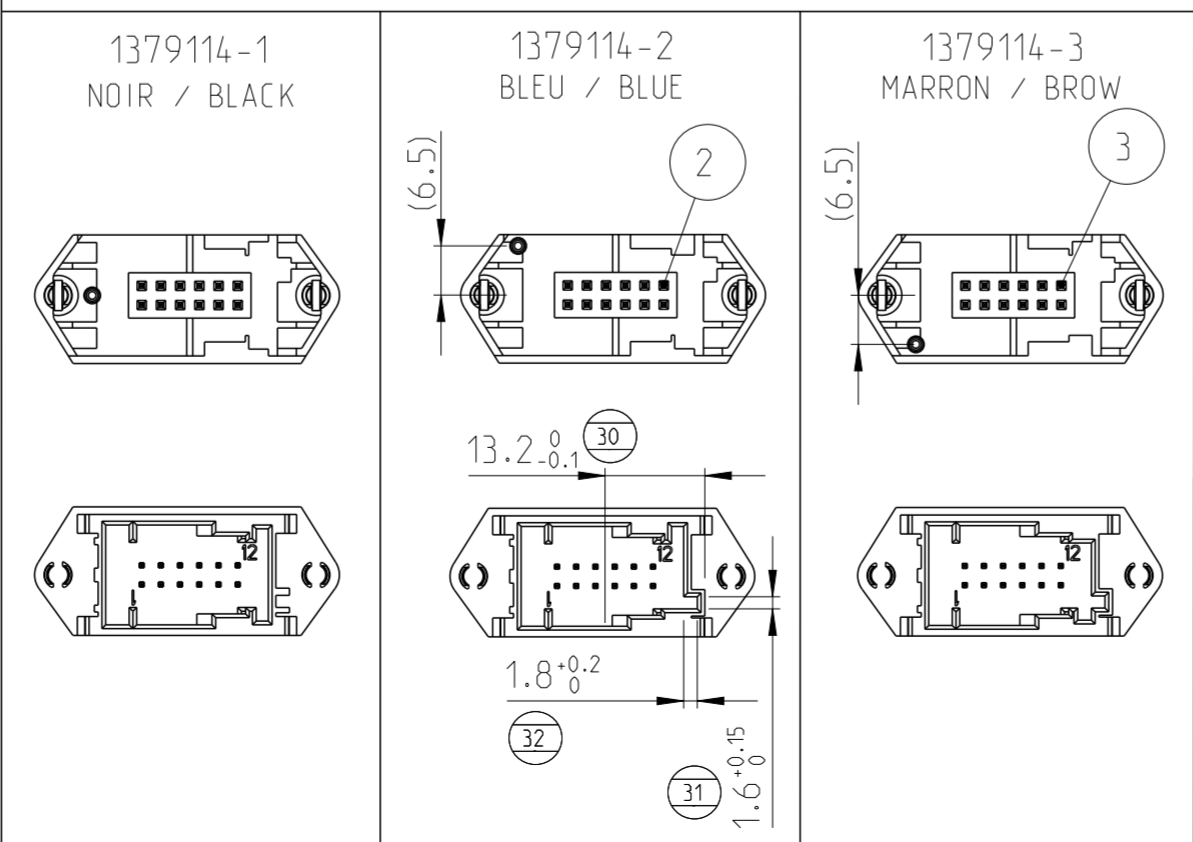
RECOMMANDATION IMPLANTATION CI
 RECOMMENDED PCB DETAILS

VUE DE DESSUS / VIEW FROM TOP



DETROMPAGES / CODINGS

SCALE 1:1
 (ECHELLE)



REF / ASSY PN	QTY	MATERIAL	DESIGNATION / NAME	COULEUR / COLOR	REP.
1379114-1	12	CuSn6	CONTACT MQS 0.63x0.63	POST ETAME / POST TIN	4
1379114-2	-	SPS GF20	BOITIER / HOUSING	MARRON / BROWN	3
1379114-3	-	SPS GF20	BOITIER / HOUSING	BLEU / BLUE	2
1-1379114-1	1	SPS GF20	BOITIER / HOUSING	NOIR / BLACK	1
D PACKAGING SPECIFIC IN TRAY WITH STRAP CONDITIONNEMENT EN PLATEAU SPECIFIQUE AVEC COURROIE					

THIS DRAWING IS A CONTROLLED DOCUMENT.

DIMENSIONS: mm

TOLERANCES UNLESS OTHERWISE SPECIFIED:

Ø P.L.C.	±
P.L.C.	±
F.P.L.C.	±0.3
S.P.L.C.	±
F.P.L.C.	±
ANGLES	±5°
FINISH	SEE TABLE

MATERIAL: -

DWN: J. DREUX 25APR2000
 CHK: J. LAQUERRE 25APR2000
 APVD: J.J. REVIL 25APR2000

PRODUCT SPEC: 108-15180
 APPLICATION SPEC: -

WEIGHT: 3.7 g

Customer Drawing

TE Connectivity

12W MQS HEADER WITH /WITHOUT BOARD-LOCKS
 EMBASE 12V MQS AVEC /SANS B-LOCKS

SIZE: A2 CAGE CODE: - DRAWING NO: 1379114 RESTRICTED TO: -

SCALE: 2:1 SHEET 1 OF 1 REV D

X-ON Electronics

Largest Supplier of Electrical and Electronic Components

Click to view similar products for [Automotive Connectors](#) category:

Click to view products by [TE Connectivity](#) manufacturer:

Other Similar products are found below :

[003-018-000](#) [60403001](#) [60993906-B](#) [M902-2131](#) [M902-2161](#) [M902-2344](#) [72.330.1035.1](#) [73.353.4028.0](#) [F119300-B](#) [F166900](#) [F258300-B](#)
[F358300-B](#) [F407400](#) [F444110](#) [F487000](#) [F509500B-B](#) [827153-1](#) [8N1515-32-24P](#) [9-1326729-8](#) [925474-1](#) [928905-1](#) [964562-4](#) [968782-1](#)
[GT17SA-8DS-HU](#) [98891-1012](#) [98947-1016](#) [12004147](#) [12004475-L](#) [12010290](#) [12015454](#) [12020219-B](#) [12041318-B](#) [12052225-L](#) [12052466](#)
[12064869](#) [12004327-B](#) [12015308](#) [12015384](#) [12015909](#) [1-21030-1](#) [12041254](#) [12041318](#) [12047946-B](#) [12047957](#) [12047957-L](#) [12059473](#)
[12066261](#) [12110546](#) [12110546-B](#) [12131792](#)