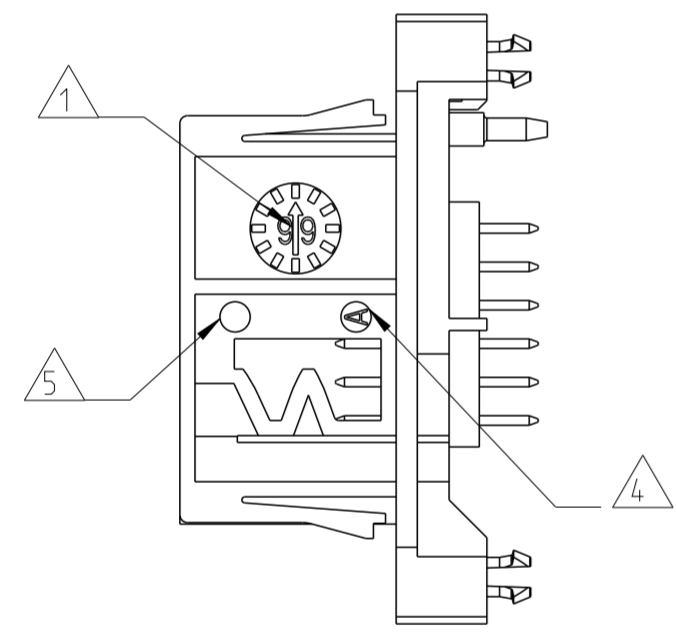
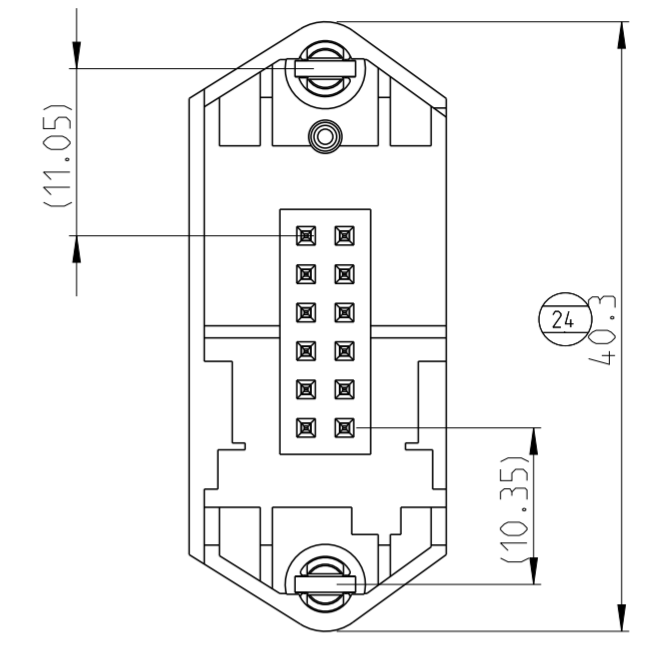
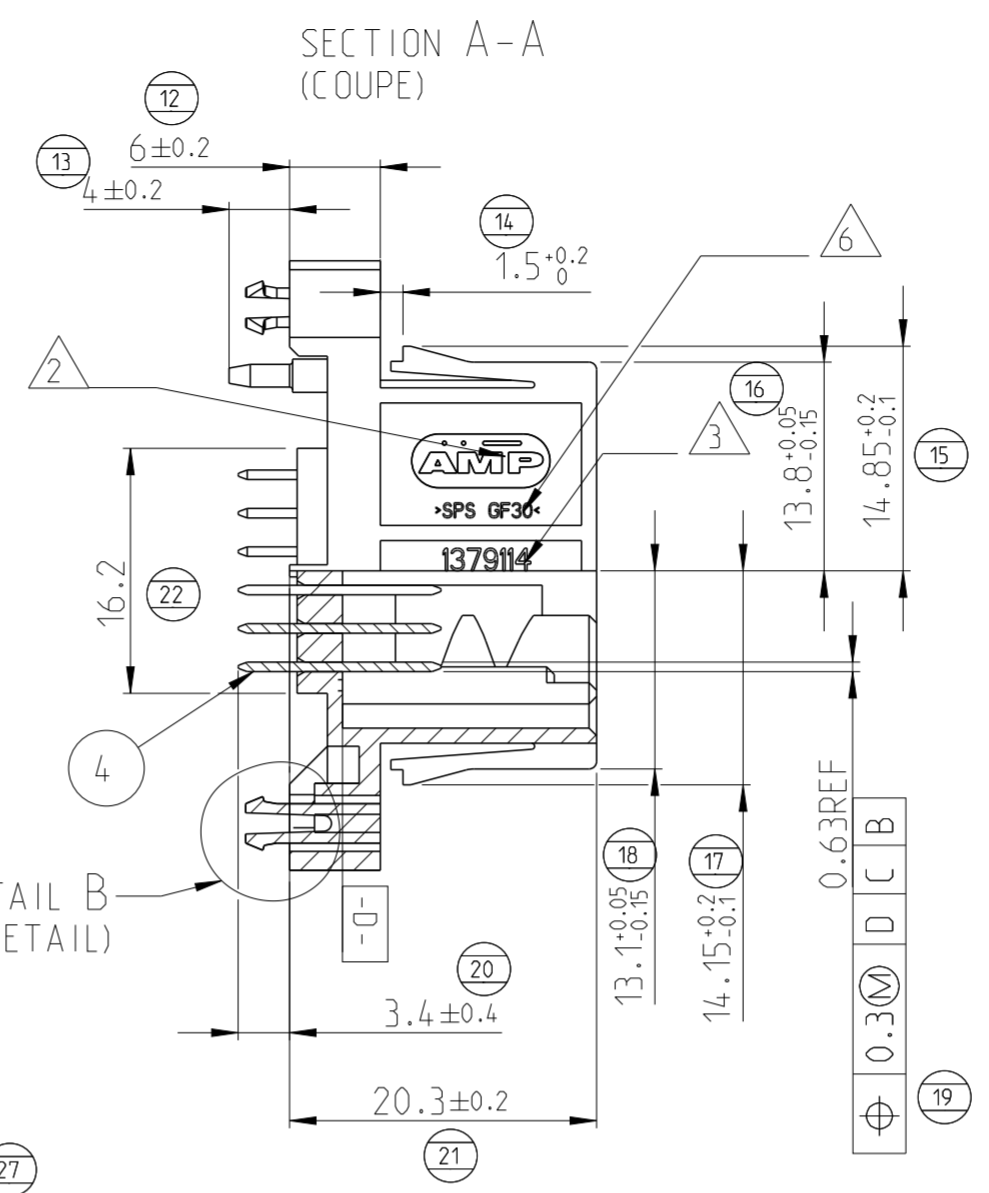
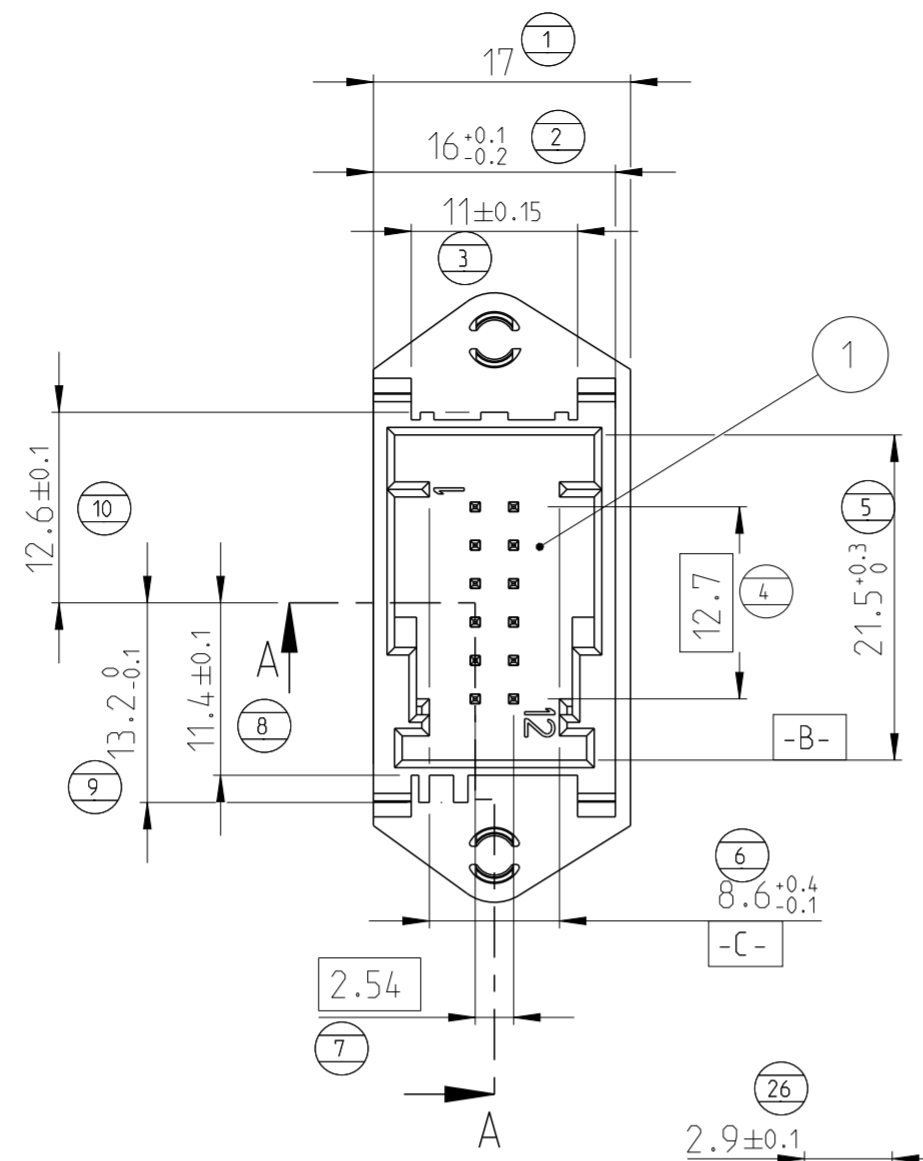
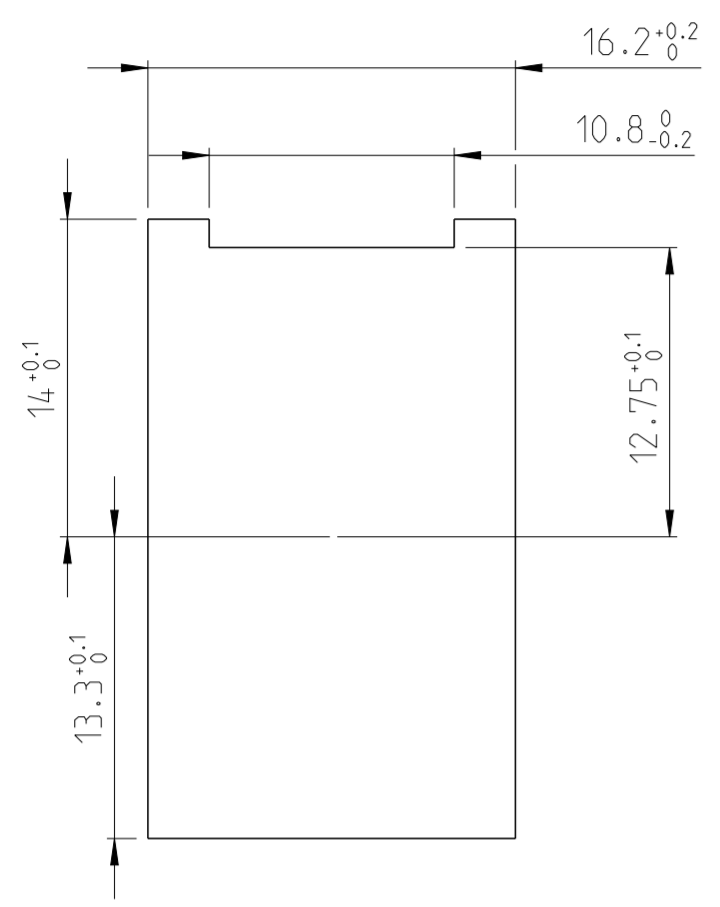


THIS DRAWING IS UNPUBLISHED. RELEASED FOR PUBLICATION
 © COPYRIGHT 20 BY - ALL RIGHTS RESERVED.

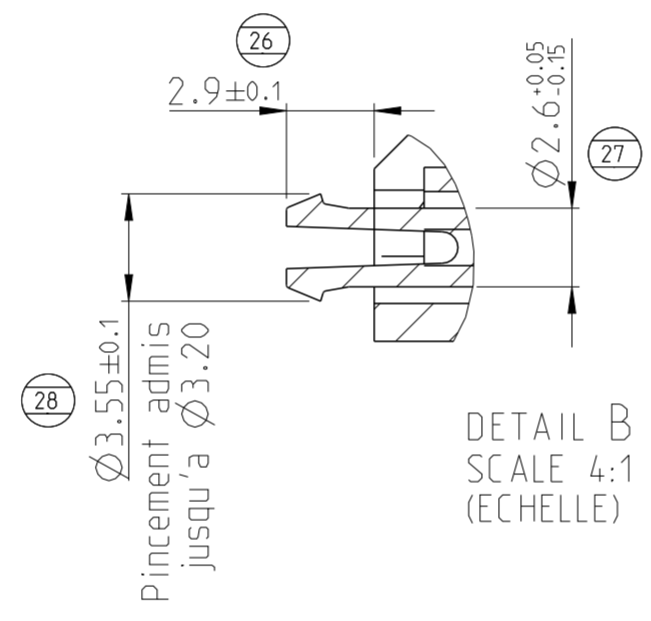
REVISIONS					
P	LTR	DESCRIPTION	DATE	DWN	APVD
A		ADD INFORMATION - UPDATED	03NOV2000	JL	JLQ
B		CHANGE SPS MATERIAL	10OCT2001	SG	JLQ
C		MODIFY MATERIAL TYPE IN TABLE	27FEB2009	SG	JL
D		NEW P/N 1-1379114-1 FOR SPECIFIC PACKAGING	21JAN2015	NT.N	JL

RECOMMANDATION DECOUPE PANNEAU
 RECOMMENDED PANEL CUTOUT

VUE DE DESSUS / VIEW FROM TOP



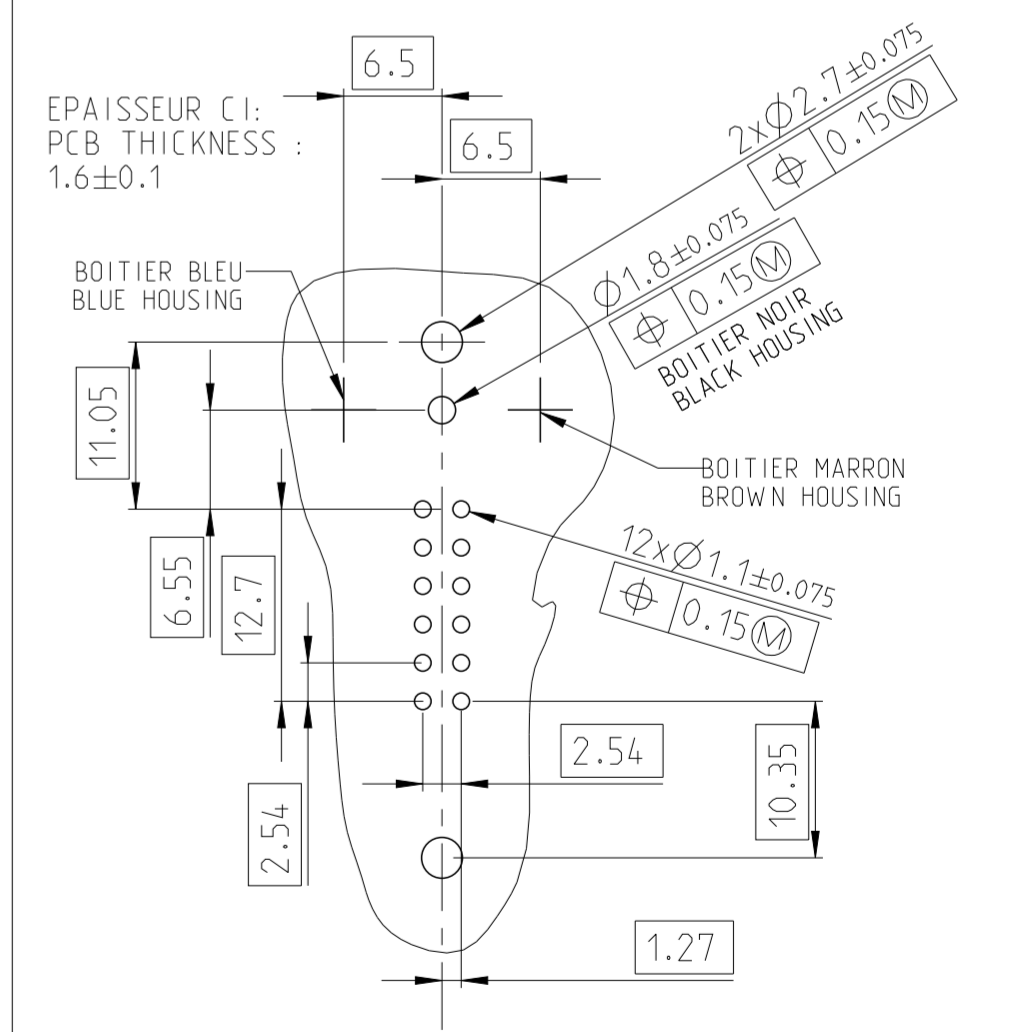
SEE DETAIL B
 (VOIR DETAIL)



- 1 DATE CODE
- 2 TE LOGO
LOGO DE TE
- 3 ASSY PART NUMBER
REFERENCE DU PRODUIT ASSEMBLE
- 4 REVISION STATUS
REVISION DU MOULE
- 5 CAVITY MARKING
N° D'EMPREINTE DU MOULE
- 6 NO CONTRACTUAL MARKING
MARQUAGE NON CONTRACTUEL
- 7 MATING PART :
CONNECTORS PN 185341 AND 185343
CONTRE PARTIE :
CONNECTEURS REF 185341 AND 185343

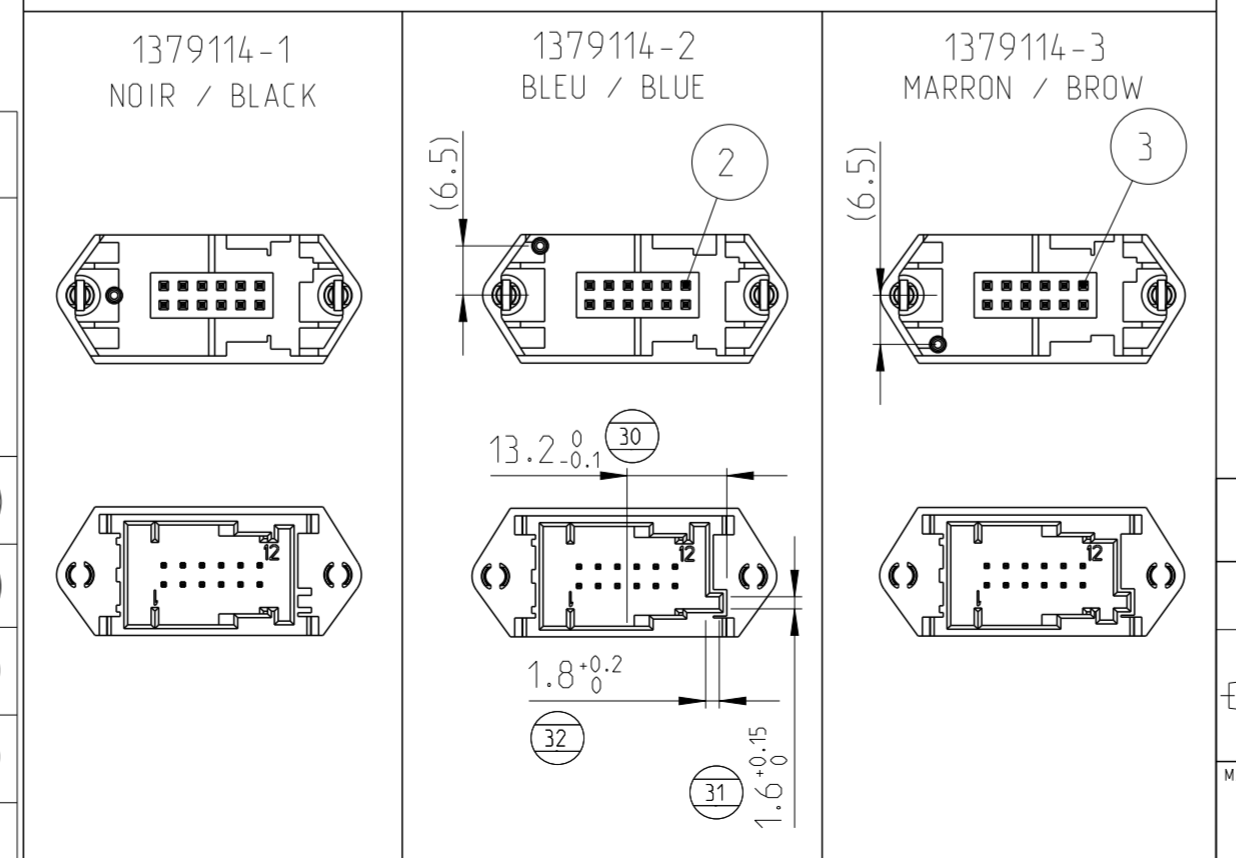
RECOMMANDATION IMPLANTATION CI
 RECOMMENDED PCB DETAILS

VUE DE DESSUS / VIEW FROM TOP



DETROMPAGES / CODINGS

SCALE 1:1
 (ECHELLE)



REF / ASSY PN	QTY	MATERIAL	DESIGNATION / NAME	COULEUR / COLOR	REP.
1379114-1	12	CuSn6	CONTACT MQS 0.63x0.63	POST ETAME / POST TIN	4
1379114-2	-	SPS GF20	BOITIER / HOUSING	MARRON / BROWN	3
1379114-3	-	SPS GF20	BOITIER / HOUSING	BLEU / BLUE	2
1-1379114-1	1	SPS GF20	BOITIER / HOUSING	NOIR / BLACK	1
D PACKAGING SPECIFIC IN TRAY WITH STRAP CONDITIONNEMENT EN PLATEAU SPECIFIQUE AVEC COURROIE					

THIS DRAWING IS A CONTROLLED DOCUMENT.

DIMENSIONS:	TOLERANCES UNLESS OTHERWISE SPECIFIED:
mm	0-1 P.L.C. ± -
	1-2 P.L.C. ± -
	3-4 P.L.C. ± 0.3
	5-6 P.L.C. ± -
	7-8 P.L.C. ± -
	9-10 P.L.C. ± -
	ANGLES ± 5°
	FINISH SEE TABLE

DWN	J. DREUX	25APR2000
CHK	J. LAQUERRE	25APR2000
APVD	JJ. REVIL	25APR2000
PRODUCT SPEC	108-15180	
APPLICATION SPEC		
WEIGHT	3.7 g	
Customer Drawing		



12W MQS HEADER WITH /WITHOUT BOARD-LOCKS EMBASE 12V MQS AVEC /SANS B-LOCKS			
SIZE	CAGE CODE	DRAWING NO	RESTRICTED TO
A2	-	1379114	-
SCALE	2:1	SHEET	1 OF 1
REV	D		

X-ON Electronics

Largest Supplier of Electrical and Electronic Components

Click to view similar products for [Automotive Connectors](#) category:

Click to view products by [TE Connectivity](#) manufacturer:

Other Similar products are found below :

[003-018-000](#) [60403001](#) [60993906-B](#) [M902-2131](#) [M902-2161](#) [72.330.1035.1](#) [73.353.4028.0](#) [F119300-B](#) [F166900](#) [F258300-B](#) [F358300-B](#)
[F407400](#) [F444110](#) [F487000](#) [F509500B-B](#) [827153-1](#) [8N1515-32-24P](#) [9-1326729-8](#) [925474-1](#) [928905-1](#) [964562-4](#) [968782-1](#) [GT17SA-8DS-](#)
[HU](#) [98891-1012](#) [98947-1016](#) [12004147](#) [12004475-L](#) [12010290](#) [12010309-B](#) [12015454](#) [12020219-B](#) [12020308](#) [12041318-B](#) [12052225-L](#)
[12052466](#) [12059125](#) [12064869](#) [12004327-B](#) [12010503-B](#) [12015308](#) [12015384](#) [12015909](#) [1-21030-1](#) [12041254](#) [12041318](#) [12047946-B](#)
[12047957](#) [12047957-L](#) [12059473](#) [12066261](#)