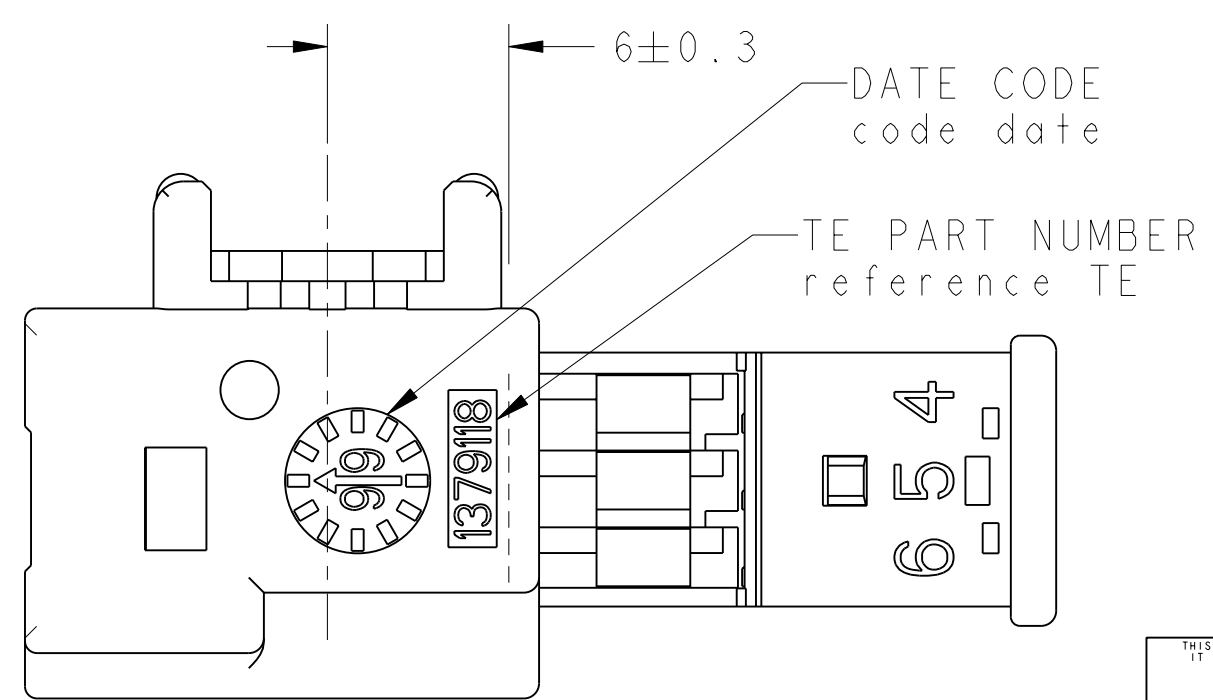
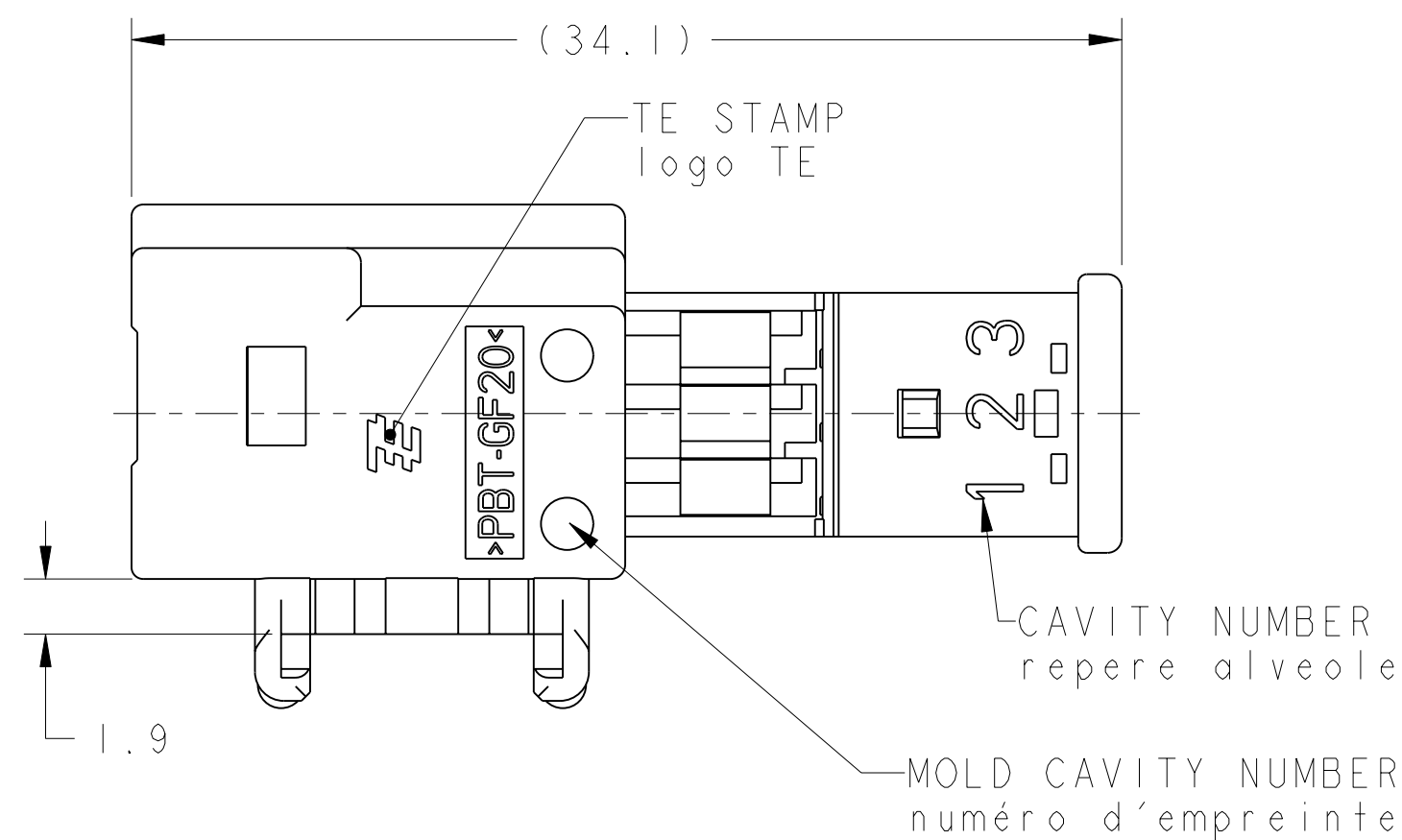
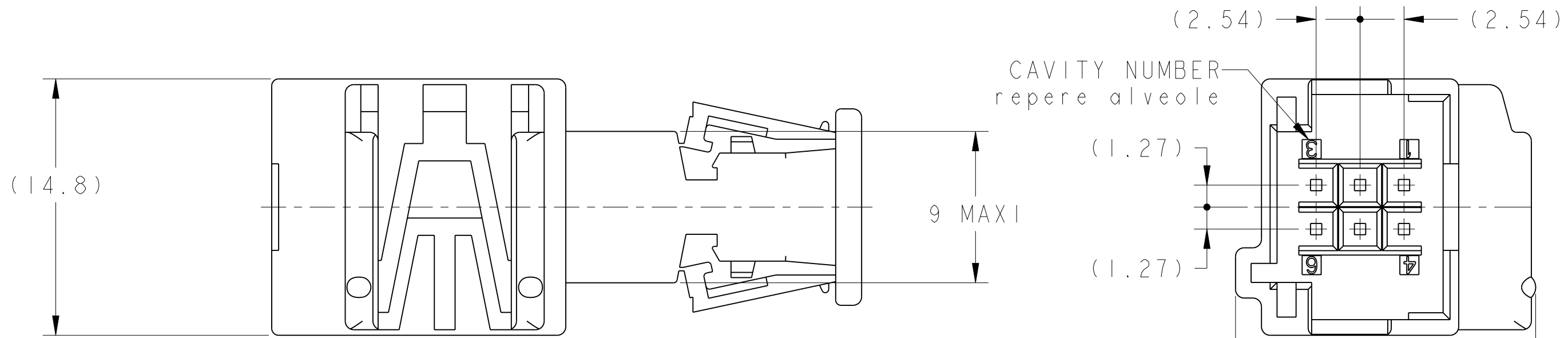


THIS DRAWING IS UNPUBLISHED. / RELEASED FOR PUBLICATION / 2009  
 DIFFUSION RESTREINTE / LIBRE A LA DIFFUSION

© COPYRIGHT 2009 BY TYCO ELECTRONICS CORPORATION. ALL RIGHTS RESERVED. / TOUS DROITS RESERVES

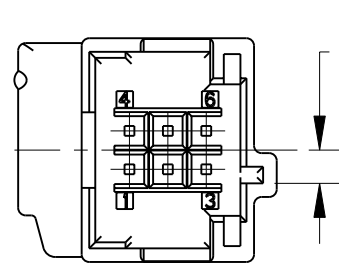
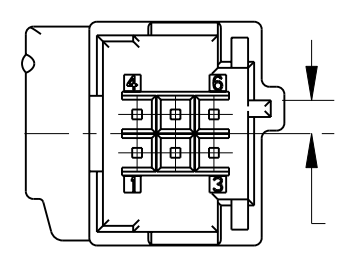
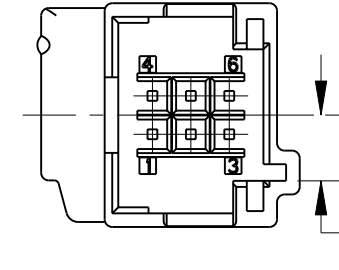
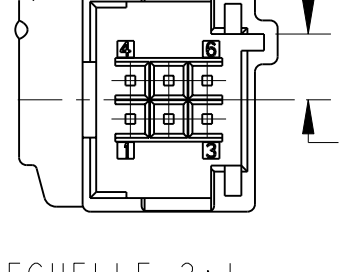
LOC		DIST		REVISIONS			
P	LTR	DESCRIPTION MODIFICATIONS	DATE	DWN DESS.	APVD APP.		
F	00						



PART TO BE USED WITH  
 MQS TAB CONTACT PN: SEE TE DRAWING PN 929453  
 COVER FOR MQS 6 POS HOUSING GENE II PN: 953382-X  
 LOCKING DEVICE FOR MQS 6 POS GENE II PN: 953381-1  
 SOCKET HOUSING FOR MQS 6 POS PN: 185311-1

piece a utiliser avec  
 languette MQS ref: voir plan TE ref 929453  
 porte-module 6 voies MQS gen II ref: 953382-X  
 verrou secondaire 6 voies MQS gene II: 953381-1  
 module 6 voies MQS ref: 185311-1

PACKAGING SPECIFICATION : 107-15440  
 specification de conditionnement: voir ci-dessus.

	BROWN marron	1379118-4
ECHELLE 2:1		
	GREEN vert	1379118-3
ECHELLE 2:1		
	WHITE blanc	1379118-2
ECHELLE 2:1		
	BLACK noir	1379118-1
ECHELLE 2:1		
KEYING detrompage	COLOR couleur	TE PN ref TE

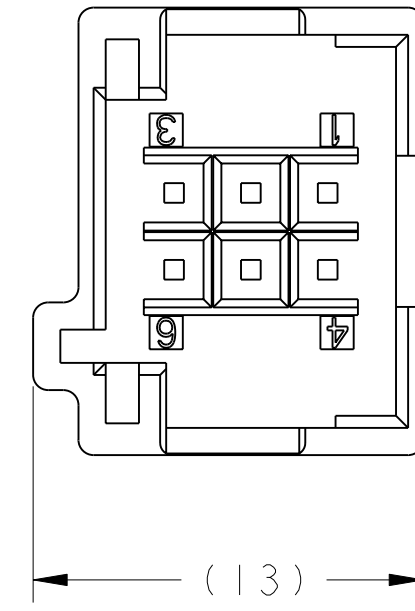
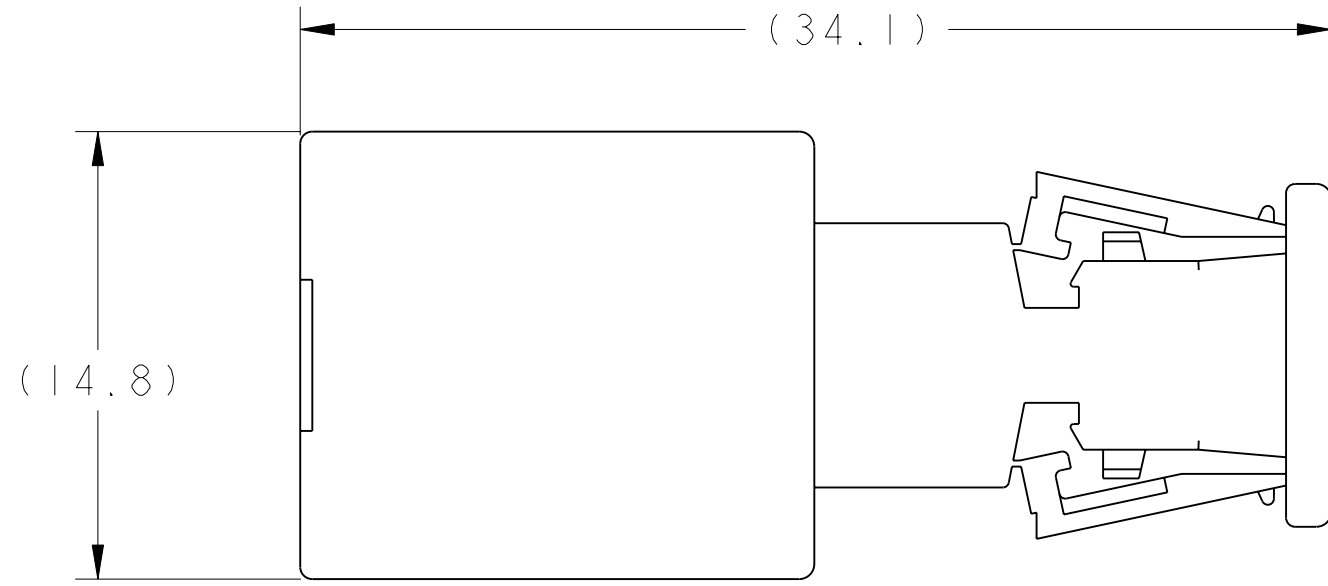
THIS DRAWING IS A CONTROLLED DOCUMENT FOR TYCO ELECTRONICS CORPORATION. IT IS SUBJECT TO CHANGE AND THE CONTROLLING ENGINEERING ORGANIZATION SHOULD BE CONTACTED FOR THE LATEST REVISION. CE PLAN EST UN DOCUMENT CONTROLE PAR TYCO ELECTRONICS. IL EST SUSCEPTIBLE D'ETRE REVISE. CONTACTER LE SERVICE TECHNIQUE DE TYCO ELECTRONICS POUR OBTENIR LA DERNIERE REVISION.		DWN /DESSINE 03MAR2009 M. POLIFONTE	Tyco Electronics Tyco Electronics France SAS 95300 Pontoise, France
DIMENSIONS: mm		CHK /VERIFIE 03MAR2009 E. CHATELUS	
TOLERANCES UNLESS OTHERWISE SPECIFIED: DIM. UNLESS OTHERWISE SPECIFIED: ±0.2 ANGLES ±5°		APVD /APPROUVE 03MAR2009 X. ROUILLARD	NAME /TITRE 6W MQS PIN HOUSING POSITIVE MATE P-LANGUETTE 6 VOIES MQS AVALOIR
MATERIAL /MATIERE PBT-GF20		PRODUCT SPEC 108-15311	SIZE /FORMAT A2
		APPLICATION SPEC 411-15636	CAGE CODE 00779
		WEIGHT /MASSE APPROX. 2.8 gr	DRAWING NO No PLAN 1379118
		CUSTOMER DRAWING /PLAN CLIENT	RESTRICTED TO RESERVE A
		UNIQUEMENT POUR REFERENCE	SCALE /ECHELLE 3:1
			SHEET /FEUILLE 1 OF /DE 2
			REV A

THIS DRAWING IS UNPUBLISHED. / RELEASED FOR PUBLICATION / 2009  
 DIFFUSION RESTREINTE / LIBRE A LA DIFFUSION

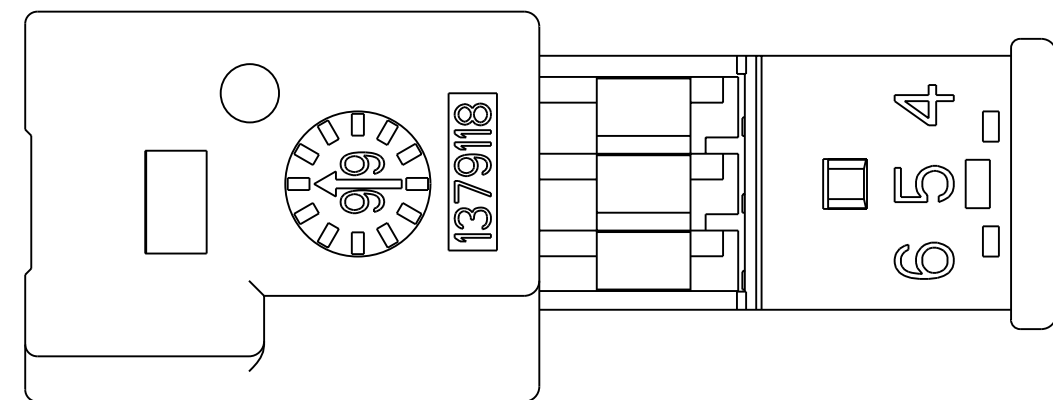
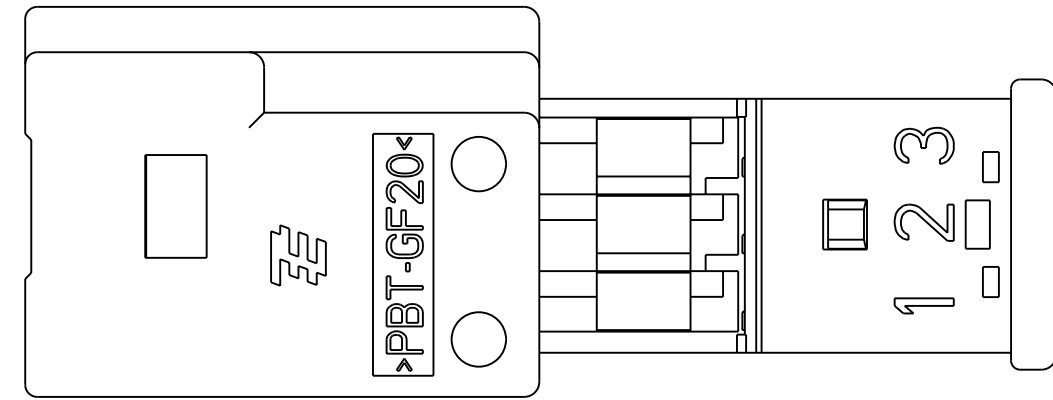
© COPYRIGHT 2009 BY TYCO ELECTRONICS CORPORATION. ALL RIGHTS RESERVED. / TOUS DROITS RESERVES

LOC	DIST	REVISIONS					
F	00	P	LTR	DESCRIPTION MODIFICATIONS	DATE	DWN DESS.	APVD APP.
		-		SEE SHEET 1			

VERSION WITHOUT FASTENER AERA  
 version sans agrafe



SEE TABLE ON SHEET 1/2 voir tableau feuille 1/2	BROWN marron	1-1379118-4
SEE TABLE ON SHEET 1/2 voir tableau feuille 1/2	GREEN vert	1-1379118-3
SEE TABLE ON SHEET 1/2 voir tableau feuille 1/2	WHITE blanc	1-1379118-2
SEE TABLE ON SHEET 1/2 voir tableau feuille 1/2	BLACK noir	1-1379118-1
KEYING detrompage	COLOR couleur	TE PART NUMBER ref TE



<small>THIS DRAWING IS A CONTROLLED DOCUMENT FOR TYCO ELECTRONICS CORPORATION. IT IS SUBJECT TO CHANGE AND THE CONTROLLING ENGINEERING ORGANIZATION SHOULD BE CONTACTED FOR THE LATEST REVISION. / CE PLAN EST UN DOCUMENT CONTROLÉ PAR TYCO ELECTRONICS. IL EST SUSCEPTIBLE D'ÊTRE REVISÉ. CONTACTER LE SERVICE TECHNIQUE DE TYCO ELECTRONICS POUR OBTENIR LA DERNIÈRE RÉVISION.</small>		DWN / DESSINE 03MAR2009 M. POLIFONTE CHK / VÉRIFIE 03MAR2009 E. CHATELUS APVD / APPROUVE 03MAR2009 X. ROULLIARD		Tyco Electronics France SAS 95300 Pontoise, France	
DIMENSIONS: mm		TOLERANCES UNLESS OTHERWISE SPECIFIED: DIMENSIONS ±0.2 ANGLES ±5°		NAME / TITRE 6W MQS PIN HOUSING POSITIVE MATE P-LANGUETTE 6 VOIES MQS AVALOIR	
MATERIAL / MATIÈRE PBT-GF20		FINISH / FINITION		SIZE / FORMAT A2 CAGE CODE / DRAWING NO / No PLAN 00779 / 1379118	
WEIGHT / MASSE APPROX. 2.8gr		APPLICATION SPEC / SPEC. APPLICATION -		RESTRICTED TO RESERVE A -	
CUSTOMER DRAWING / PLAN CLIENT		UNIFORMITY / ÉCHELLE POUR RÉFÉRENCE 3:1		SHEET / FEUILLE 2 OF / DE 2 REV / A	

## X-ON Electronics

Largest Supplier of Electrical and Electronic Components

*Click to view similar products for [Automotive Connectors](#) category:*

*Click to view products by [TE Connectivity](#) manufacturer:*

Other Similar products are found below :

[003-018-000](#) [60403001](#) [60993906-B](#) [M902-2131](#) [M902-2161](#) [72.330.1035.1](#) [73.353.4028.0](#) [F119300-B](#) [F166900](#) [F258300-B](#) [F358300-B](#)  
[F407400](#) [F444110](#) [F487000](#) [F509500B-B](#) [827153-1](#) [8N1515-32-24P](#) [9-1326729-8](#) [925474-1](#) [928905-1](#) [964562-4](#) [968782-1](#) [GT17SA-8DS-](#)  
[HU](#) [98891-1012](#) [98947-1016](#) [12004147](#) [12004475-L](#) [12010290](#) [12010309-B](#) [12015454](#) [12020219-B](#) [12020308](#) [12041318-B](#) [12052225-L](#)  
[12052466](#) [12059125](#) [12064869](#) [12004327-B](#) [12010503-B](#) [12015308](#) [12015384](#) [12015909](#) [1-21030-1](#) [12041254](#) [12041318](#) [12047946-B](#)  
[12047957](#) [12047957-L](#) [12059473](#) [12066261](#)