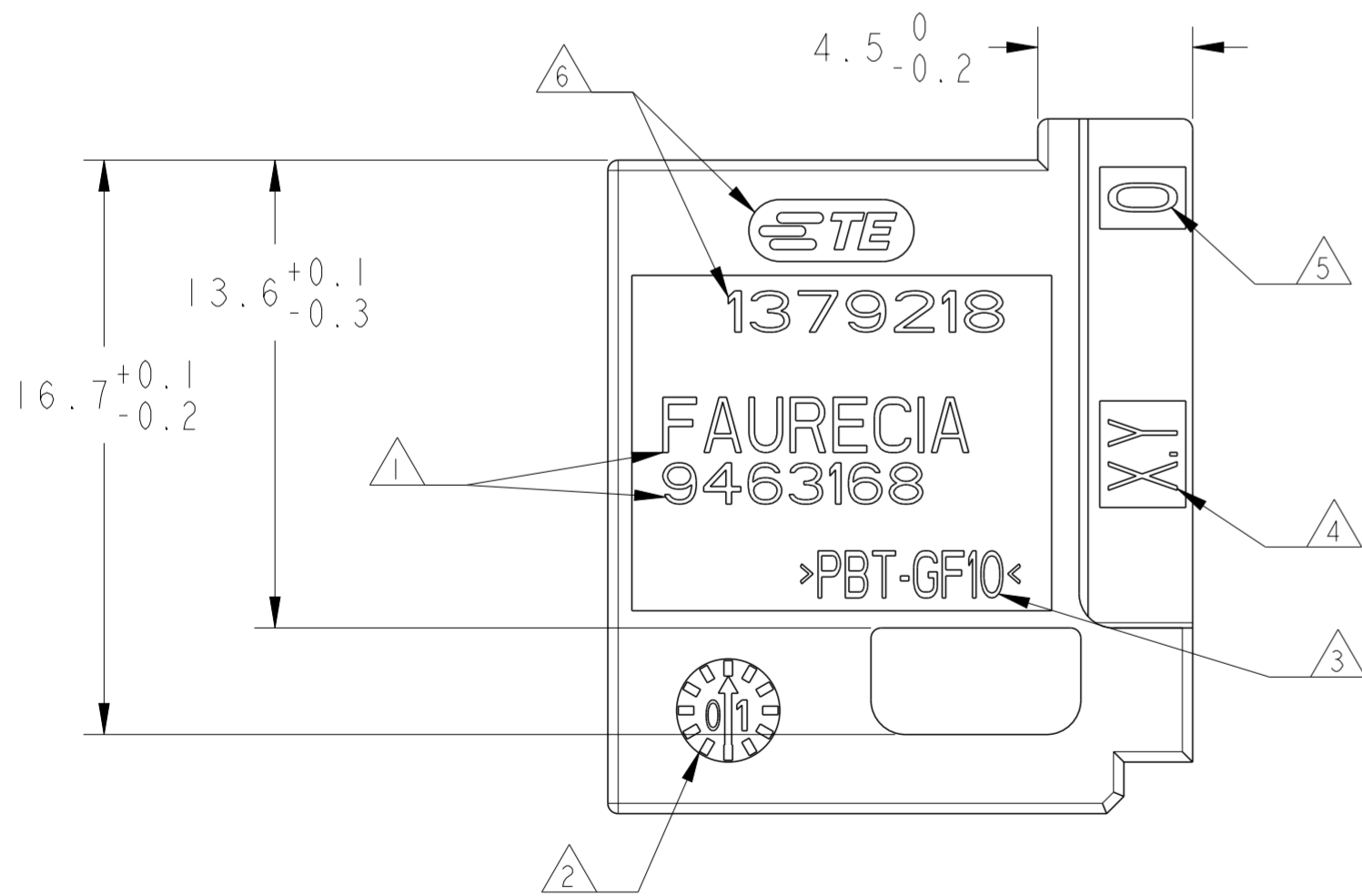
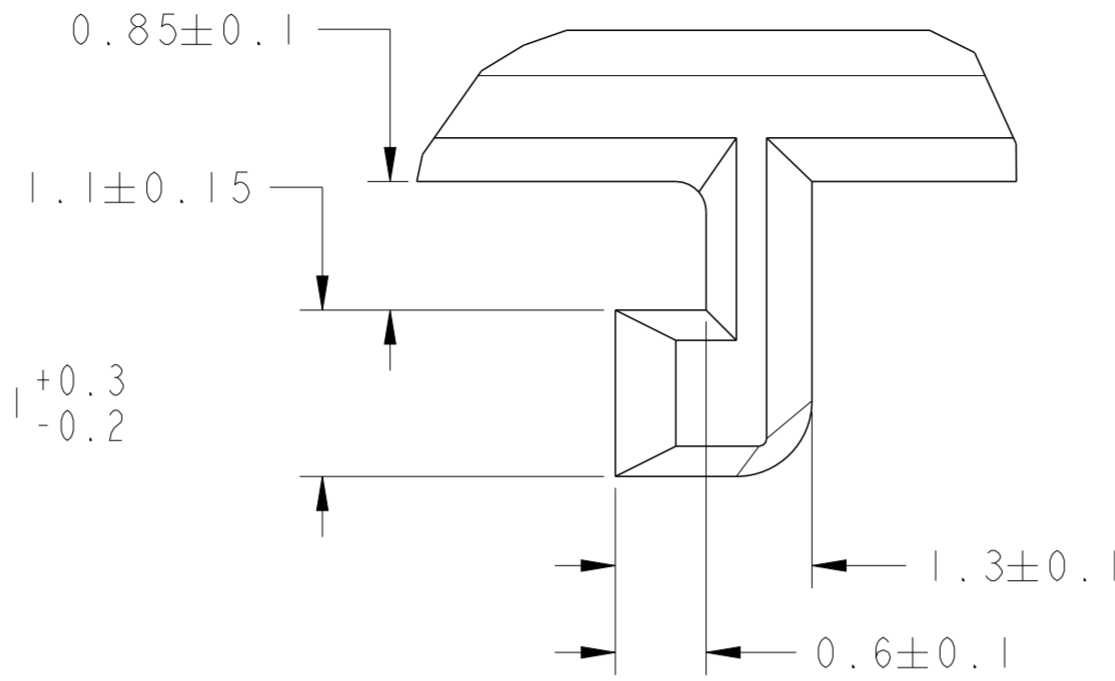
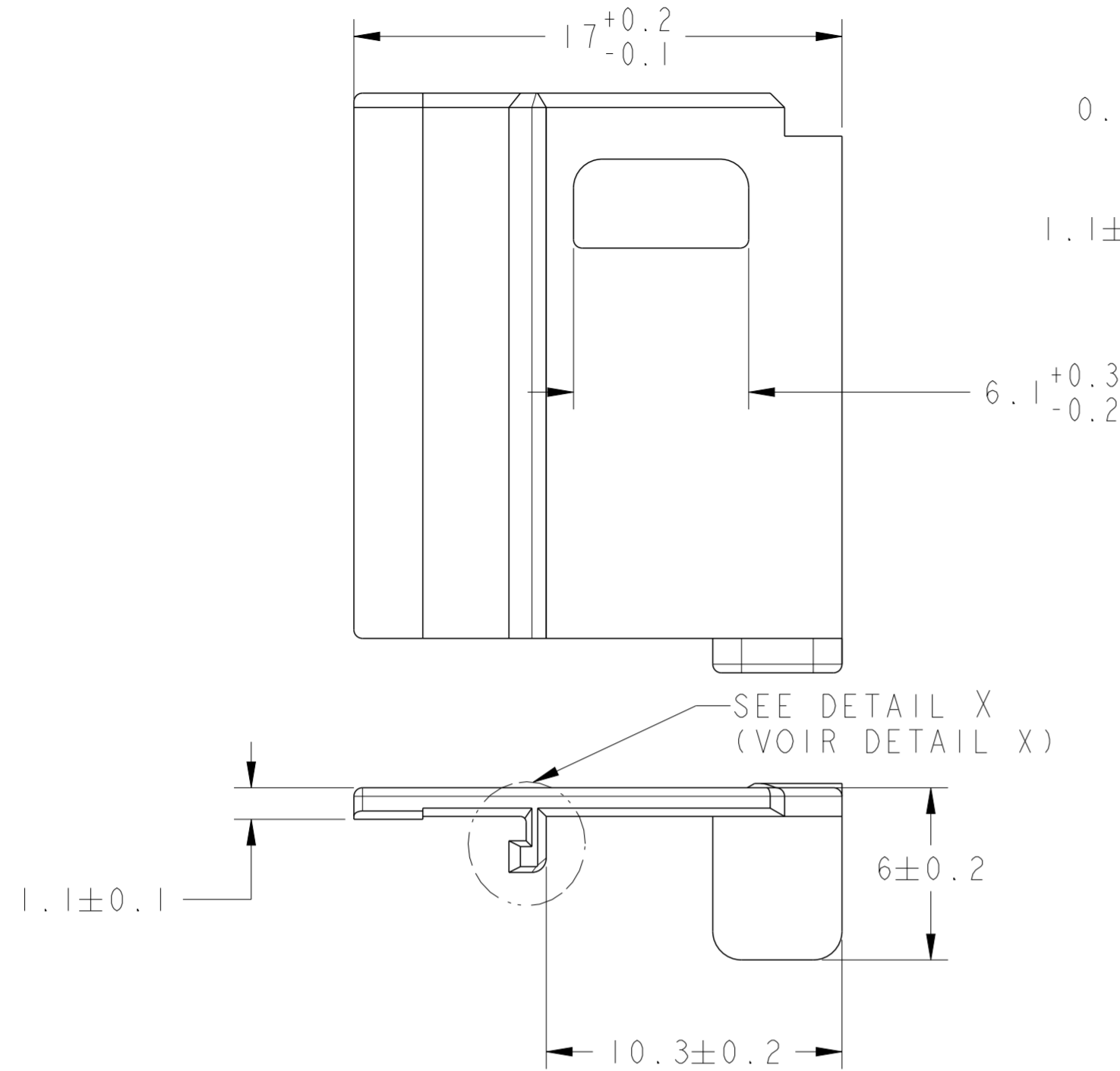


THIS DRAWING IS UNPUBLISHED.  
 DIFFUSION RESTREINTE  
 © COPYRIGHT 20 BY -  
 RELEASED FOR PUBLICATION  
 LIBRE A LA DIFFUSION  
 20  
 ALL RIGHTS RESERVED.  
 TOUS DROITS RESERVES

REVISIONS					
P	LTR	DESCRIPTION MODIFICATIONS	DATE	DWN DESS.	APVD APP.
A		UP DATED THE DRW (ADD P/N: 1379218-2)	29-AUG-01	NT.N	S.K
AI		ECR-15-017891	14DEC2015	KCD	SA

DETAIL X  
 ECHELLE 20:1  
 (ECH.)



NOTES:

- 1 AREA FOR OPTIONAL CUSTOMER NAME & PN  
ZONE POUR NOM & REFERENCE CLIENT OPTIONNELS
- 2 CODING DATE  
DATE CODE
- 3 MATERIAL IDENTIFICATION  
MARQUAGE DE MATIERE
- 4 CAVITY MARKING  
NUMERO D' EMPREINTE DU MOULE
- 5 REVISION STATUT OF THE MOLD  
REVISION DU MOULE
- 6 LOGO & P/N OF TE  
LOGO & REFERENCE DE TE

1379218-2	BLACK (NOIR)		
1379218-1	BLACK (NOIR)	FAURECIA	1 FAURECIA 9463168
TE P/N (REF. TE)	COLOR (COULEUR)	PART NUMBER RESTRICTED ONLY TO (REFERENCE RESERVEE UNIQUEMENT A)	CUSTOMER NAME AND PN MARKING (MARGUAGE NOM ET REF CLIENT)

THIS DRAWING IS A CONTROLLED DOCUMENT. CE PLAN EST UN DOCUMENT CONTROLE PAR AMP INCORPORATED. IL EST SUSCEPTIBLE D'ETRE REVISE. CONTACTER LE SERVICE TECHNIQUE D'AMP DE FRANCE POUR OBTENIR LA DERNIERE REVISION.		DWN/DESSINE NT. NGUYEN 26FEB2001	TE Connectivity	
DIMENSIONS: mm		CHK/VERIFIE J. LAQUERBE 27JUN2001		
TOLERANCES UNLESS OTHERWISE SPECIFIED: TOLERANCES NON SPECIFIEES (SUIV NO DE DECIMALES)		APVD/APPROUVE S. KUGENER 27JUN2001	NAME TITRE	
		PRODUCT SPEC SPEC. PRODUIT 108-15315	COUVERCLE POUR PORTE-CLIPS 3 +2V COVER FOR 3+2W SOCKET HOUSING	
MATERIAL/MATIERE PBT GF10		APPLICATION SPEC SPEC. APPLICATION	SIZE FORMAT A2	RESTRICTED TO RESERVE A
FINISH/FINITION		WEIGHT MASSE APPROX. 0.50g	CAGE CODE 00779	DRAWING NO No PLAN C-1379218
-		CUSTOMER DRAWING /PLAN CLIENT	UNIQUEMENT POUR REFERENCE	SCALE ECHELLE 5:1
			SHEET FEUILLE	OF DE
			REV AI	

## X-ON Electronics

Largest Supplier of Electrical and Electronic Components

*Click to view similar products for [Automotive Connectors](#) category:*

*Click to view products by [TE Connectivity](#) manufacturer:*

Other Similar products are found below :

[003-018-000](#) [60403001](#) [60993906-B](#) [M902-2131](#) [M902-2161](#) [M902-2344](#) [72.330.1035.1](#) [73.353.4028.0](#) [F119300-B](#) [F166900](#) [F258300-B](#)  
[F358300-B](#) [F407400](#) [F444110](#) [F487000](#) [F509500B-B](#) [827153-1](#) [8N1515-32-24P](#) [9-1326729-8](#) [925474-1](#) [928905-1](#) [964562-4](#) [968782-1](#)  
[GT17SA-8DS-HU](#) [98891-1012](#) [98947-1016](#) [12004147](#) [12004475-L](#) [12010290](#) [12015454](#) [12020219-B](#) [12041318-B](#) [12052225-L](#) [12052466](#)  
[12064869](#) [12004327-B](#) [12015308](#) [12015384](#) [12015909](#) [1-21030-1](#) [12041254](#) [12041318](#) [12047946-B](#) [12047957](#) [12047957-L](#) [12059473](#)  
[12066261](#) [12110546](#) [12110546-B](#) [12131792](#)