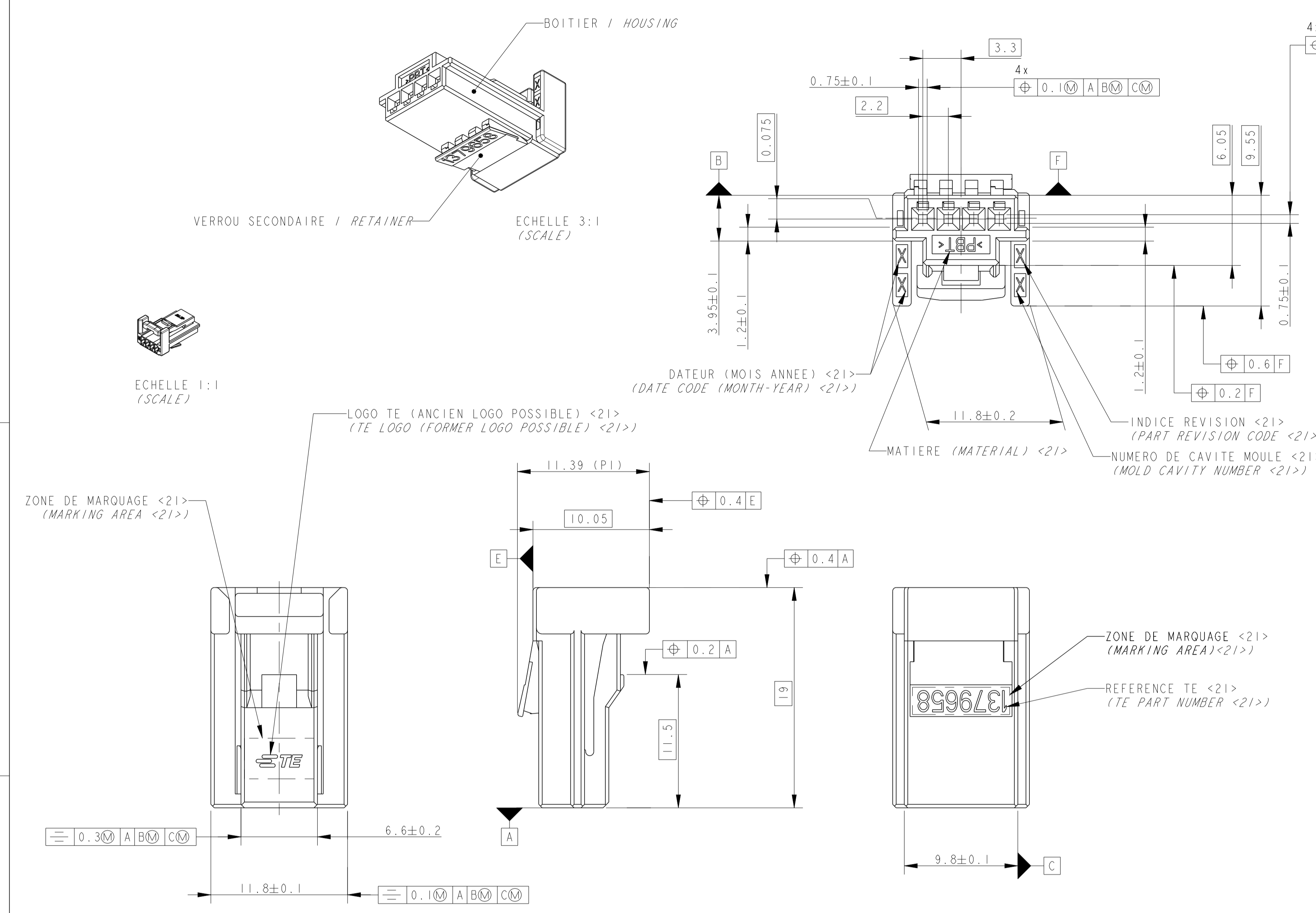
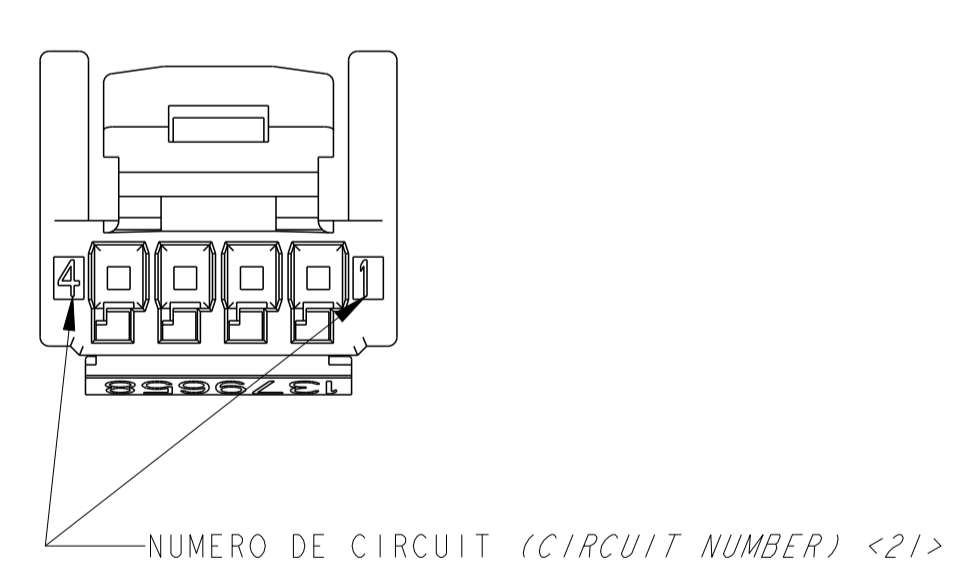
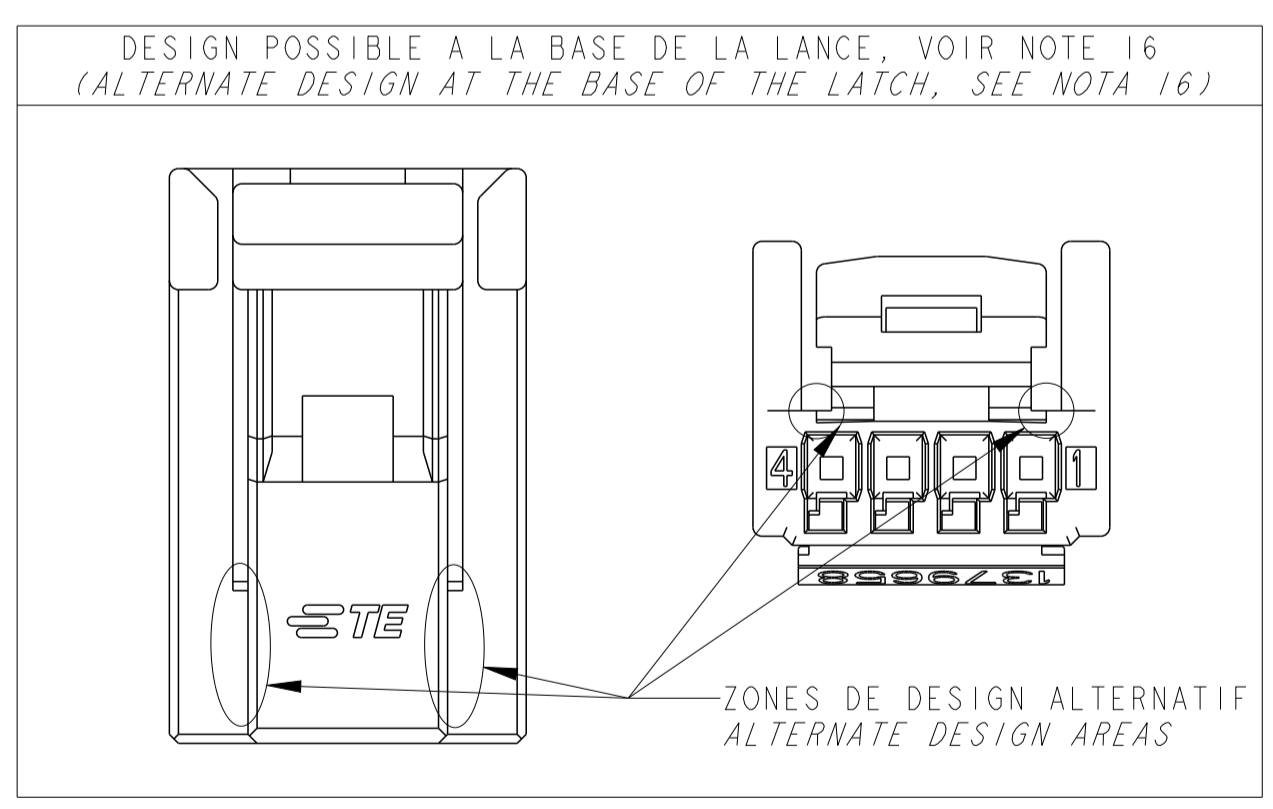
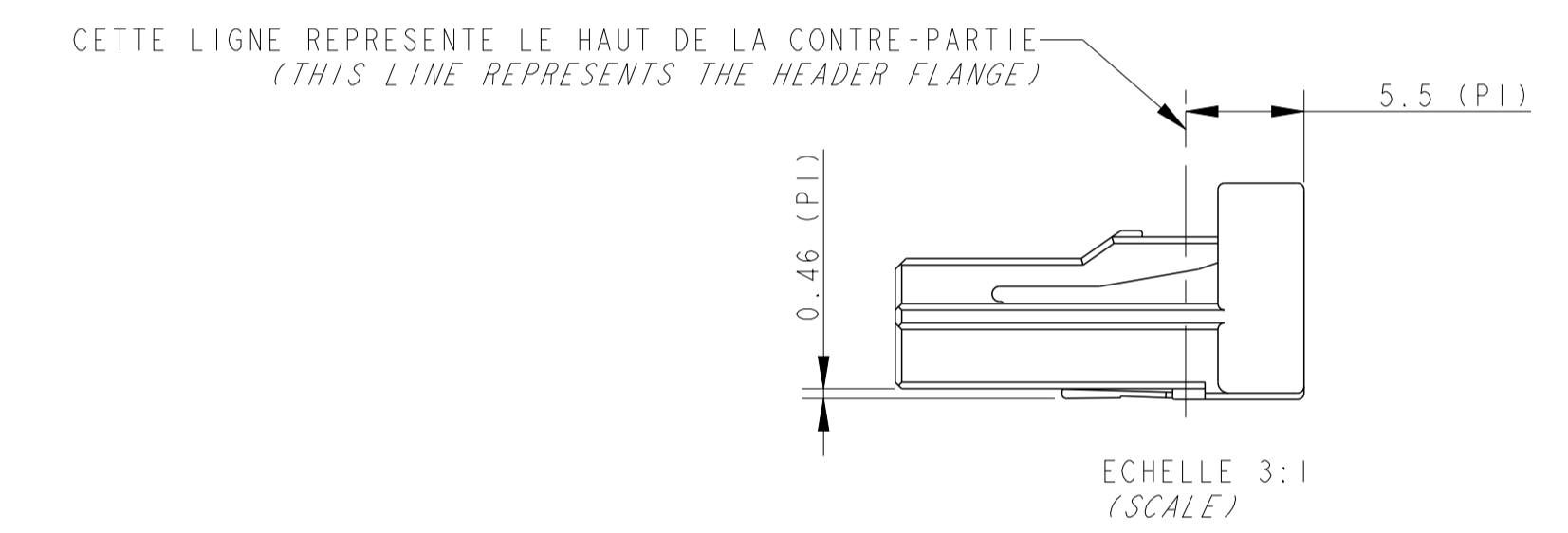


LOC	DIST	REVISIONS					
F	00	P	LTN	DESCRIPTION	DATE	DWN	APVD
		REV		MODIFICATIONS		SESS.	APP.
		E		ADD PN 1-1379658-1	23OCT2013	DB	JPP
		F		ADD PN 1379658-3 AND 1379658-4	15APR2015	DB	XR
		G		REMOVED INACTIVE STATUS TO -3 AND -4	01JUN2015	DB	XR
		H		ADD NOTES 20 AND 21	05AUG2016	DB	XR



NOTES : LES NOTES LOCALES SONT ENTRE <->
 SPECIFICATIONS DE REFERENCE :
 SPECIFICATION TE : 108-15299
 PLAN D'INTERFACE TE : 1379774
 NOTES COMPLEMENTAIRES :
 CAHIER DE PRECONISATION : 411-15672
 REFERENCE REPRESENTEE : 1379658-1
 VERROU SECONDAIRE PERVERROUILLE (POSITION PREFERENTIELLE DE LIVRAISON). SI LE VERROU N'EST PAS DANS CETTE POSITION, SUIVRE LES INSTRUCTIONS DE LA NOTICE TECHNIQUE TE 411-15672 §8.2
 LIGNE BLANCHE AUTORISEE SUR CHARNIERE
 LES DIFFERENTES VERSIONS SONT LIVREES DE FACON ALEATOIRE
 ALLEGEMENTS ET FORMES COSMETIQUES PEUVENT DIFFERER D'UN MOULE A L'AUTRE
 MARQUAGES ET POSITIONS PEUVENT DIFFERER D'UN MOULE A L'AUTRE
 POUR INFORMATION

LOCALE NOTES ARE BETWEEN <->
 APPLICABLE SPECIFICATION :
 TE SPECIFICATION (SEE BEFORE)
 TE INTERFACE DRAWING (SEE BEFORE)
 ADDITIONAL NOTES :
 INSTRUCTION SHEET : (SEE BEFORE)
 PART NUMBER SHOWN (SEE BEFORE)
 SECONDARY LOCK IN PRELOCKED POSITION (PREFERED DELIVERY POSITION). IF SECONDARY LOCKING IS NOT IN THIS POSITION, FOLLOW INSTRUCTIONS OF TE SPECIFICATION 411-15672 §8.2
 WHITE LINE PERMISSIBLE ON HINGE
 THE DIFFERENT VERSIONS ARE DELIVERED SO RANDOM LIGHTENINGS (DIMENSION & LOCATION), COSMETIC SHAPES CAN DIFFER FROM ONE MOLD TO ANOTHER
 MARKING TYPE & LOCATION CAN DIFFER FROM ONE MOLD TO ANOTHER
 FOR REFERENCE ONLY



CONTACTS ASSOCIES LISTE NON EXHAUSTIVE (APPLIED CONTACTS NON EXHAUSTIVE LIST)

REFERENCE TE (TE PART NUMBER)	FINITION (FINISH)	DESIGNATION (DESIGNATION)
1123343-2	DORE (0.38µm) / GOLDDED (0.38µm)	CLIP .635 (.635 CONTACT) 0.22 A 0.5 MM² (SQMM)
1801069-2	DORE (0.8µm) / GOLDDED (0.8µm)	CLIP .635 (.635 CONTACT) 0.22 A 0.5 MM² (SQMM)
1674298-1	ETAME (TINNED)	CLIP .635 (.635 CONTACT) 0.22 A 0.5 MM² (SQMM)

REFERENCE TE / TE PART NUMBER	DESCRIPTION / DESCRIPTION	CODAGE / KEYING	MATIERE / MATERIAL	COULEUR / COLOR	REVISION PIECE / PART REVISION
1379658-4	CONNECTEUR 4 VOIES / 4 WAY CONNECTOR	4 / 4	PBT / PBT	VERT / GREEN	A
1379658-3	CONNECTEUR 4 VOIES / 4 WAY CONNECTOR	3 / 3	PBT / PBT	BLEU / BLUE	A
1379658-2	CONNECTEUR 4 VOIES / 4 WAY CONNECTOR	2 / 2	PBT / PBT	GRIS / GREY	A
1-1379658-1	CONNECTEUR 4 VOIES / 4 WAY CONNECTOR	1 / 1	PBT / PBT	NATUREL / NATURAL	A
1379658-1	CONNECTEUR 4 VOIES / 4 WAY CONNECTOR	1 / 1	PBT / PBT	NOIR / BLACK	A

THIS DRAWING IS A CONTROLLED DOCUMENT. CE PLAN EST UN DOCUMENT CONTROLÉ PAR TISSOT ELECTRONICS. IL EST SUSCEPTIBLE D'ÊTRE MODIFIÉ. CONSULTER LE SERVICE TECHNIQUE DE TISSOT ELECTRONICS POUR OBTENIR LA DERNIÈRE VERSION.

DWN / PRESSING: 29OCT2002
 D. BANCE
 CHK / PREVIEW: 04NOV2002
 B. DUPONT

APVD / APPROVE: 04NOV2002
 JP. PICAUD
 PRODUCT SPEC: SEE TABLE
 SPEC. PRODUCT: SEE TABLE
 APPLICATION SPEC: SEE TABLE
 SPEC. APPLICATION: SEE TABLE

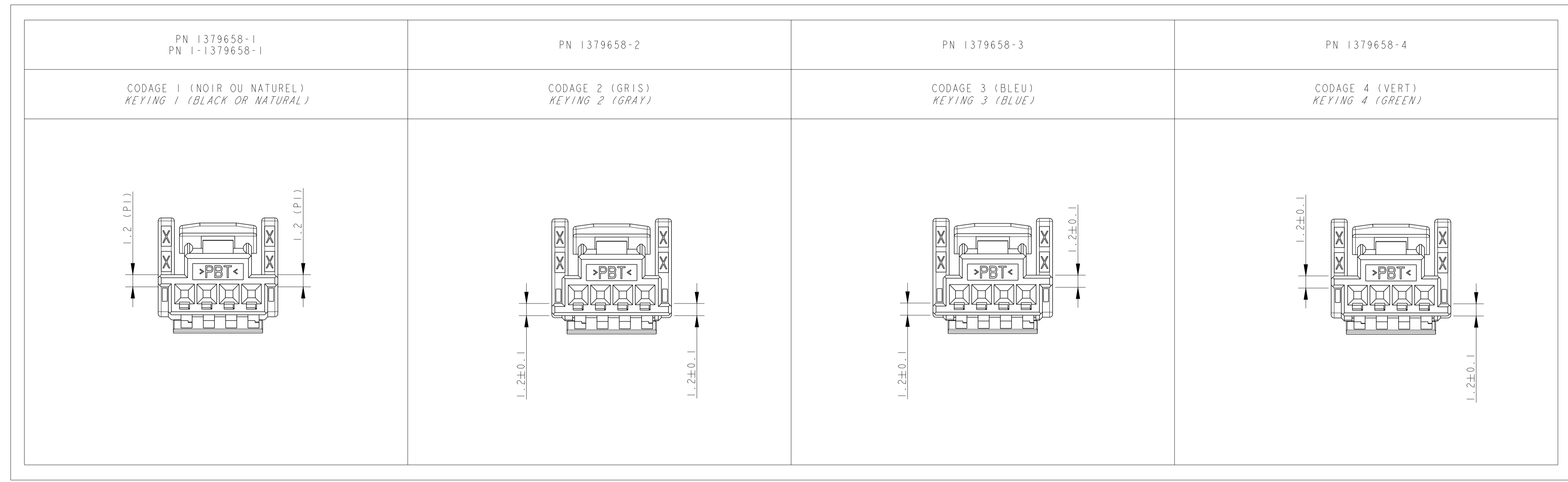
NAME: 025 TH 4 POS PLUG HOUSING

SIZE: A1
 CAGE CODE: 00779
 DRAWING NO: 1379658

RESTRICTED TO RESERVE A

CUSTOMER DRAWING / PLAN CLIENT UNIFORMEMENT FOUR REFERENCE SCALE: 4:1 SHEET FEUILLE 1 OF 2 REV H

LOC		DIST		REVISIONS				
F	00	P	LTN	DESCRIPTION	DATE	DWN	APVD	
		REV		MODIFICATIONS		DESS.	APP.	
		-		SEE SHEET 1		-	-	



THIS DRAWING IS A CONTROLLED DOCUMENT. CE PLAN EST UN DOCUMENT CONTROLÉ PAR TUXO ELECTRONICS - IL EST SUSCEPTIBLE D'ÊTRE TENU, COMPTER LE SERVICE TECHNIQUE DE TUXO ELECTRONICS POUR OBTENIR LA DERNIÈRE RÉVISION.		DWN / REVISION: 29OCT2002 D. BANCE CHK / RÉVISÉ: 04NOV2002 B. DUPONT	 TE Connectivity
DIMENSIONS: mm 	TOLERANCES UNLESS OTHERWISE SPECIFIED: TOLERANCES NON SPECIFIÉES: (SUIVY NE DE DÉCIMALES): 0 P.L.C./DEC: ±0.2 1 P.L.C./DEC: ±0.2 2 P.L.C./DEC: ±0.2 3 P.L.C./DEC: ±0.2 4 P.L.C./DEC: ±0.2 ANGLES: ±5° FINISH / FINITION: -	APVD / APPROUVÉ: 04NOV2002 JP. PICAUD PRODUCT SPEC: SPEC. PRODUCT: SEE TABLE APPLICATION SPEC: SPEC. APPLICATION: SEE TABLE WEIGHT: MASSE APPROX.: -	
MATERIAL / MATIÈRE: SEE TABLE	RESTRICTED TO / RÉSERVÉ À: -	SCALE / ÉCHELLE: 4:1 SHEET / FEUILLE: 2 OF 2 REV: H	

X-ON Electronics

Largest Supplier of Electrical and Electronic Components

Click to view similar products for [Automotive Connectors](#) category:

Click to view products by [TE Connectivity](#) manufacturer:

Other Similar products are found below :

[003-018-000](#) [60403001](#) [60993906-B](#) [M902-2131](#) [M902-2161](#) [M902-2344](#) [72.330.1035.1](#) [73.353.4028.0](#) [F119300-B](#) [F166900](#) [F258300-B](#)
[F358300-B](#) [F407400](#) [F444110](#) [F487000](#) [F509500B-B](#) [827153-1](#) [8N1515-32-24P](#) [9-1326729-8](#) [925474-1](#) [928905-1](#) [964562-4](#) [968782-1](#)
[GT17SA-8DS-HU](#) [98891-1012](#) [98947-1016](#) [12004147](#) [12004475-L](#) [12010290](#) [12015454](#) [12020219-B](#) [12041318-B](#) [12052225-L](#) [12052466](#)
[12064869](#) [12004327-B](#) [12015308](#) [12015384](#) [12015909](#) [1-21030-1](#) [12041254](#) [12041318](#) [12047946-B](#) [12047957](#) [12047957-L](#) [12059473](#)
[12066261](#) [12110546](#) [12110546-B](#) [12131792](#)