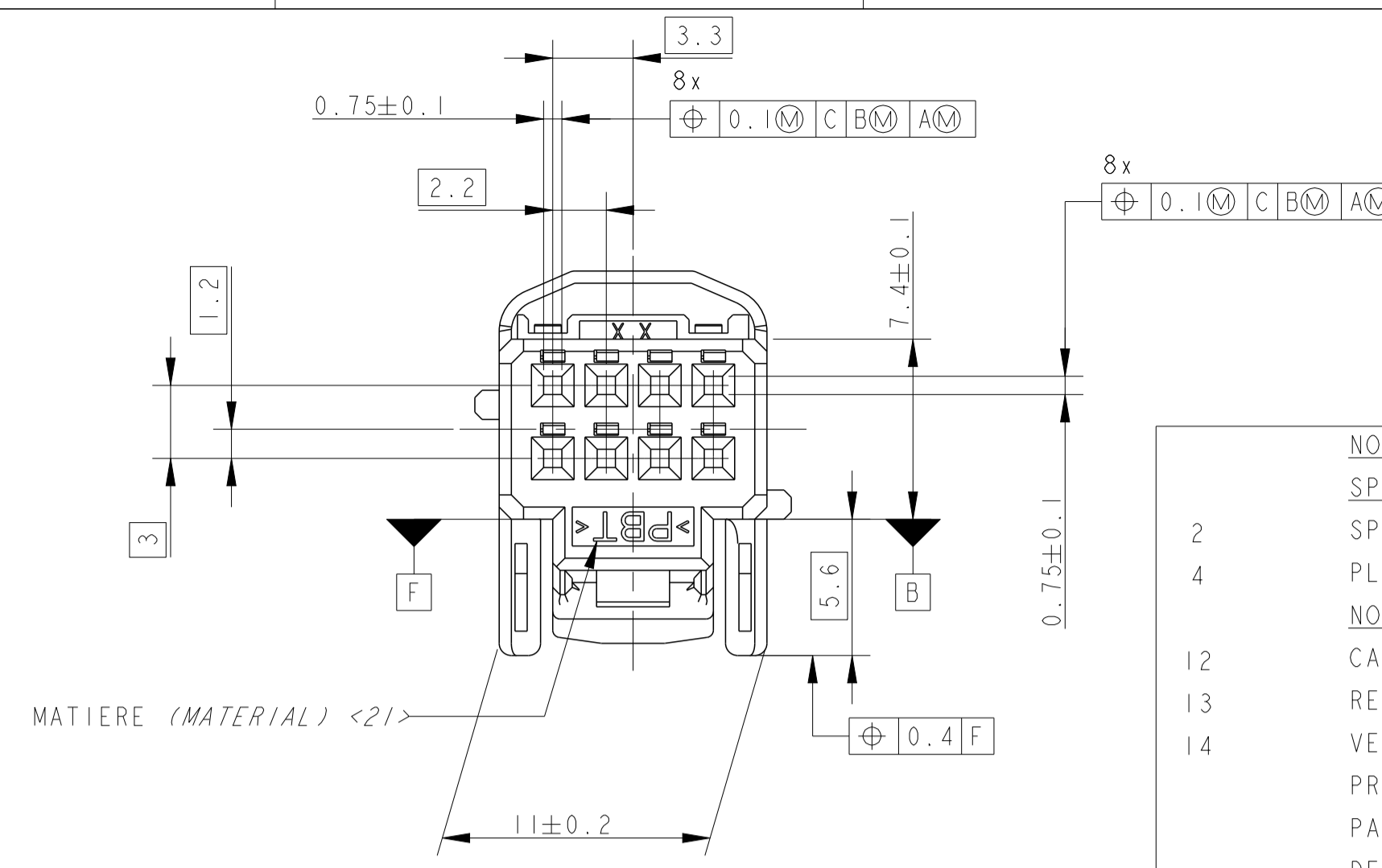
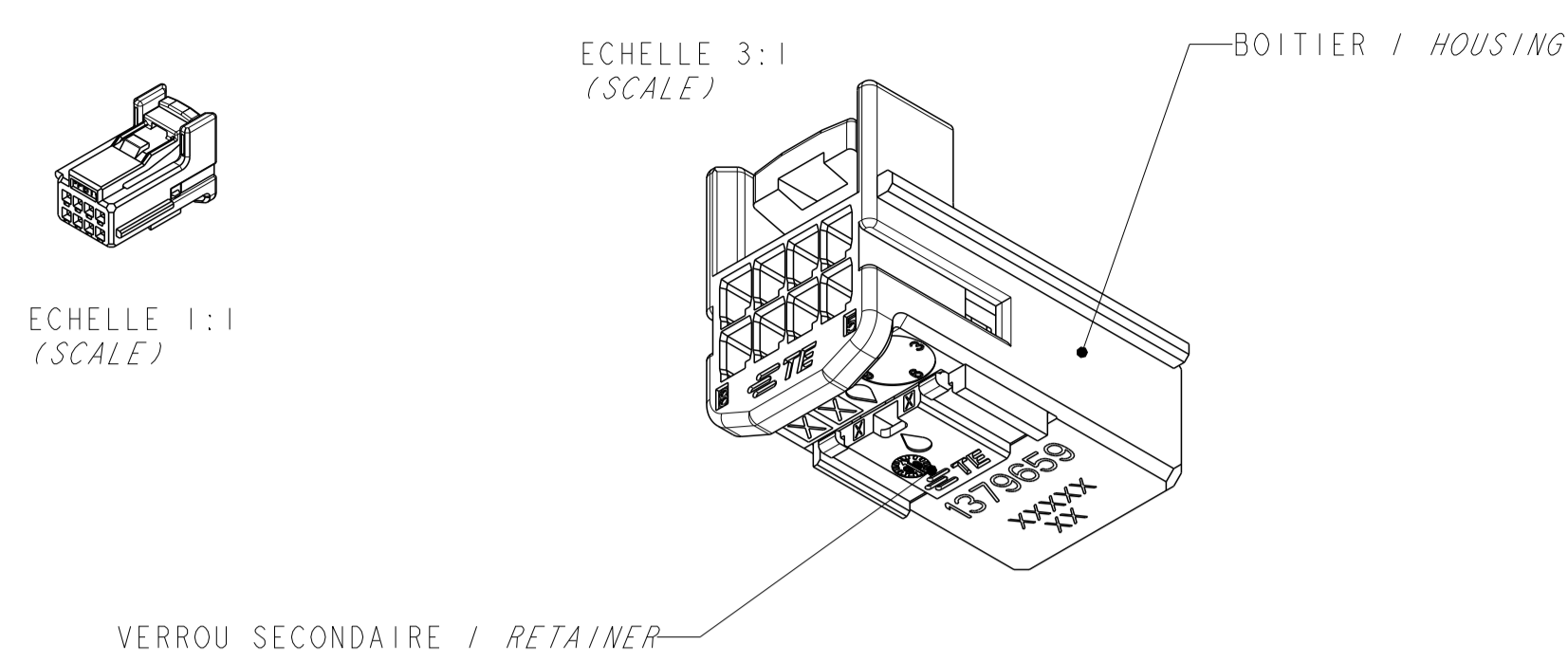
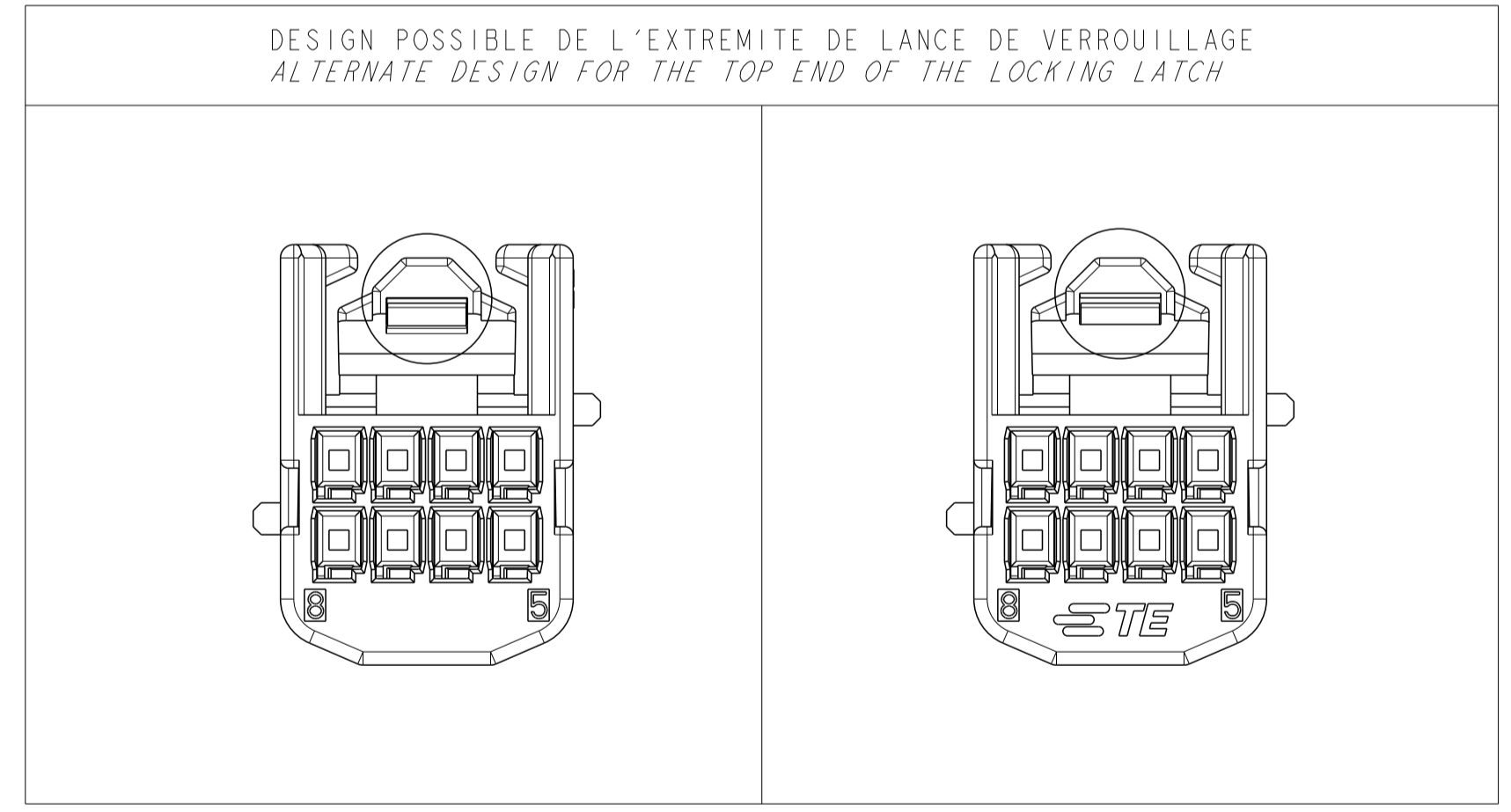
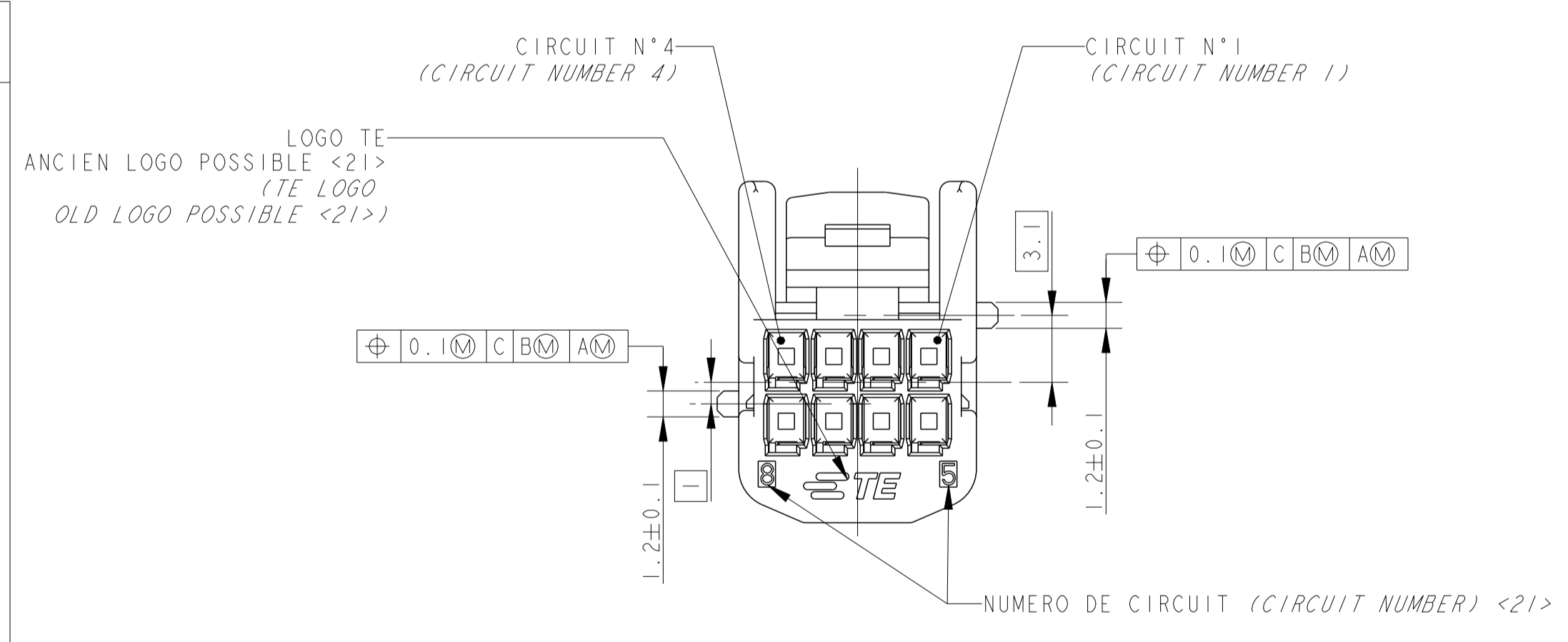
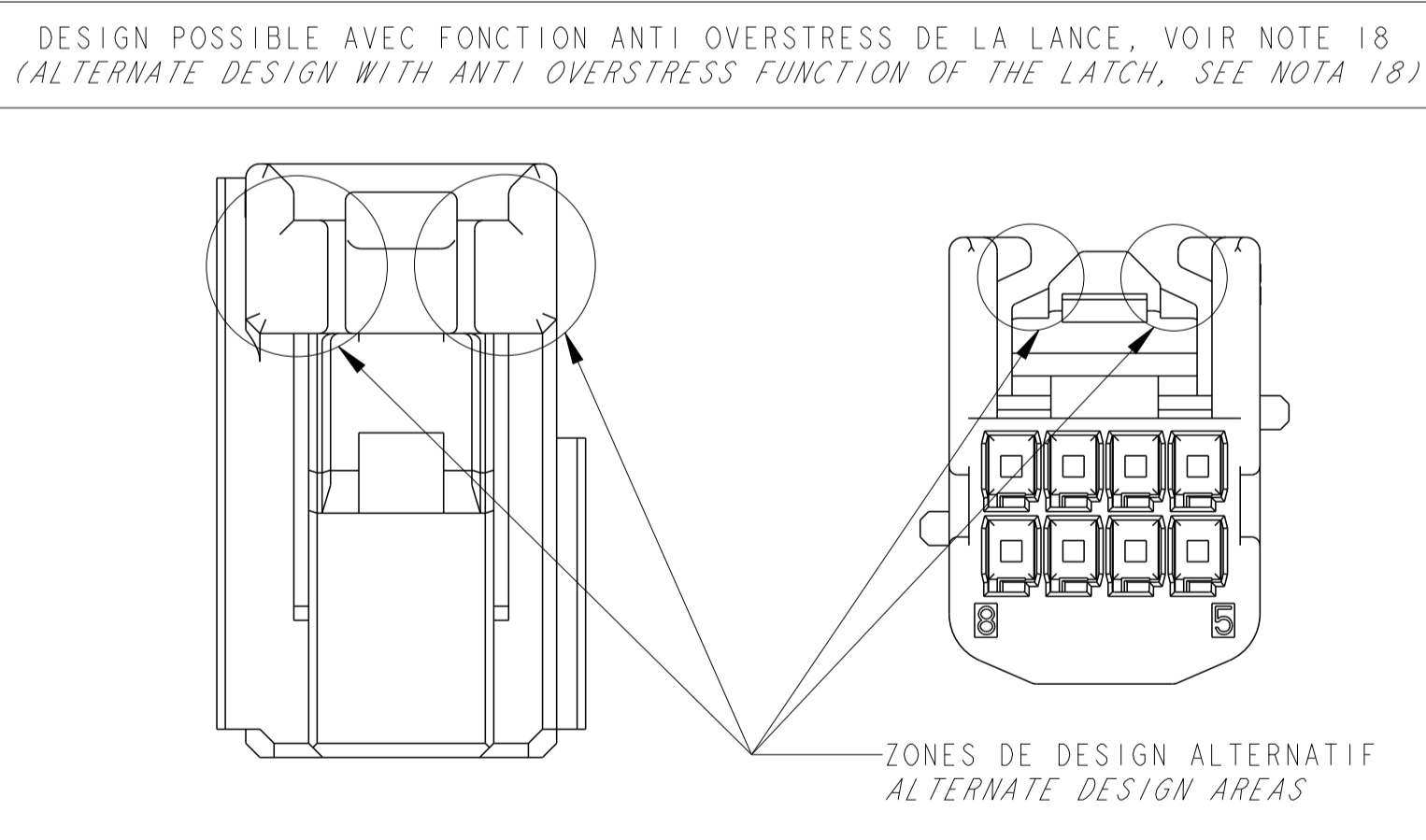
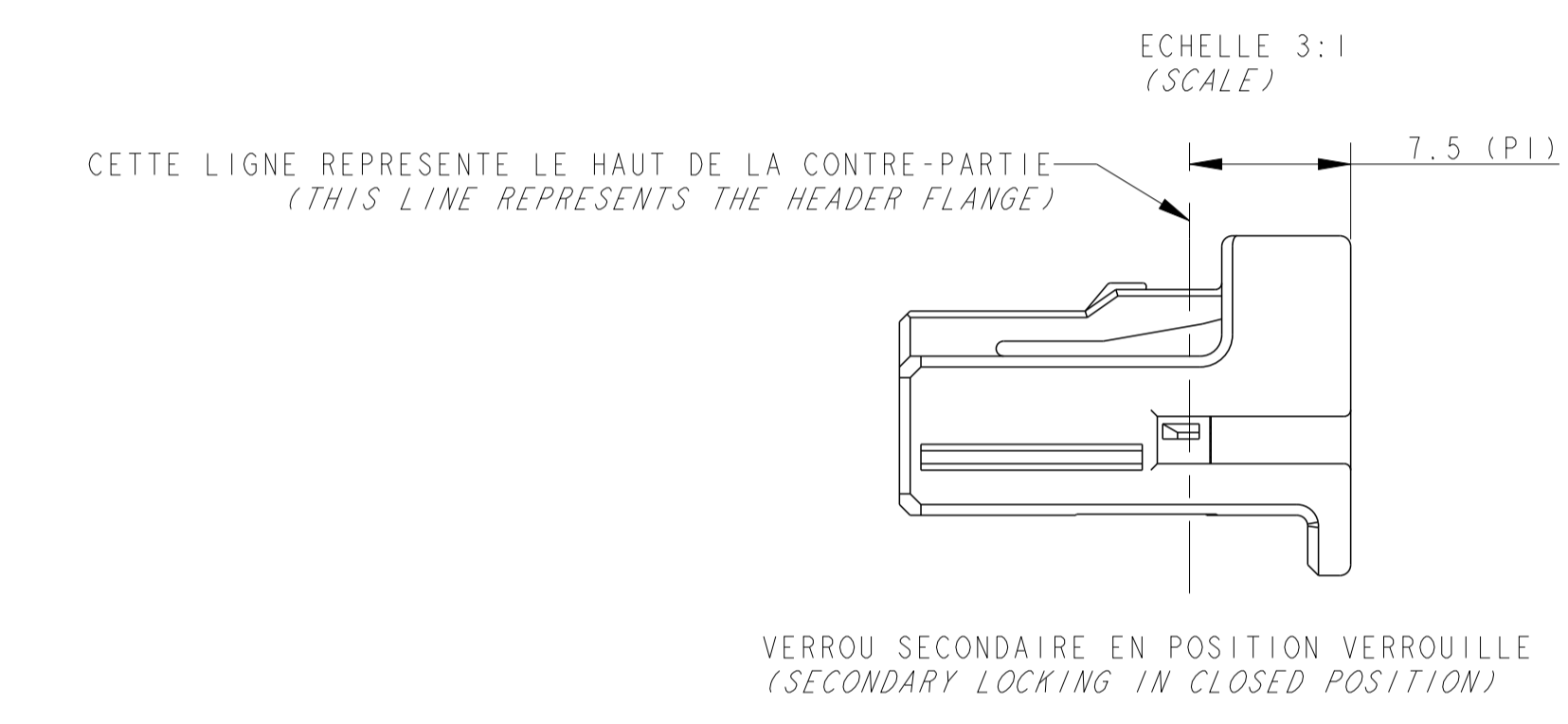
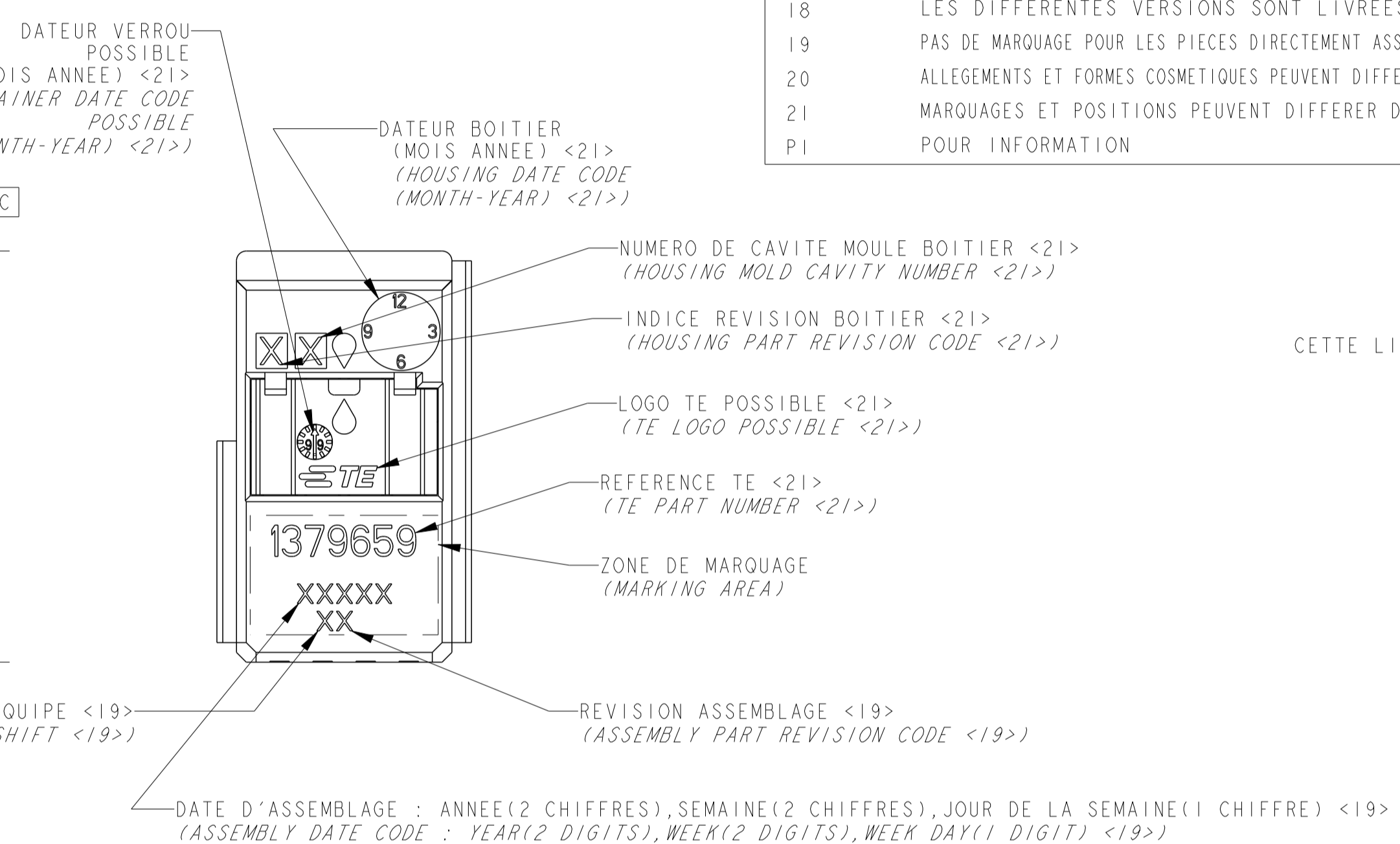
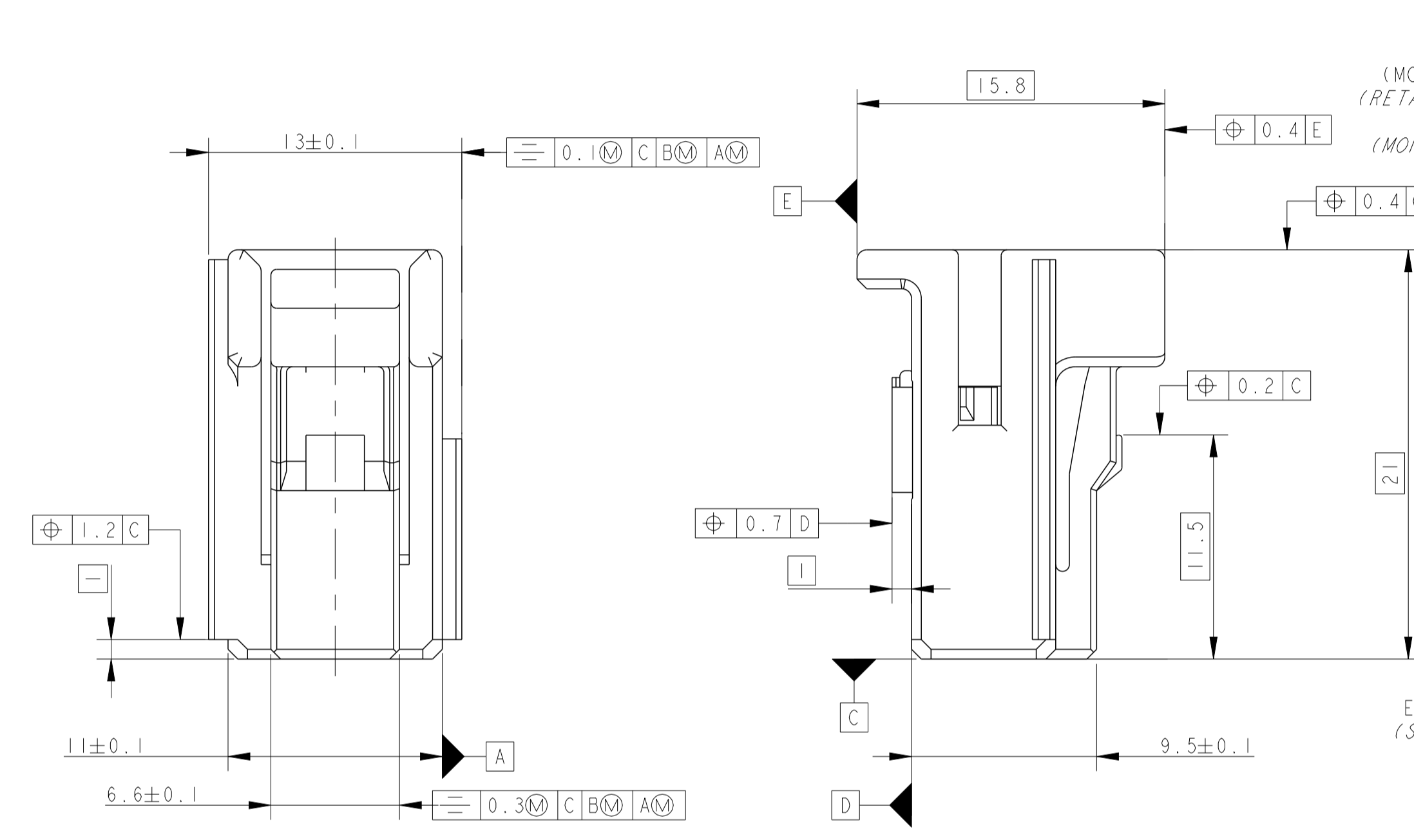


LOC		DIST		REVISIONS			
P	LTN	REV	DESCRIPTION	DATE	OWN	APVD	APP
F		00					
H			ADD ALTERNATE ANTI OVERSTRESS DESIGN	02AUG2013	DB	JPP	
J			CHANGE PROCESS OF ASSEMBLY TRACEABILITY	23OCT2014	DB	JPP	
K			ADD ALTERNATE DESIGN FOR TOP END OF LOCKING LATCH	26JUL2016	DB	XR	
L			ADD NEW PN 1379659-6 AND 1379659-7	19DEC2016	DB	XR	



NOTES : LES NOTES LOCALES SONT ENTRE <->  
 SPECIFICATIONS DE REFERENCE :  
 SPECIFICATION TE : 108-15299  
 PLAN D'INTERFACE TE : 1379775  
 NOTES COMPLEMENTAIRES :  
 12 CAHIER DE PRECONISATION : 411-15672  
 13 REFERENCE REPRESENTEE : 1379659-1  
 14 VERROU SECONDAIRE PREVERROUILLE (POSITION PREFERENTIELLE DE LIVRAISON). SI LE VERROU N'EST PAS DANS CETTE POSITION, SUIVRE LES INSTRUCTIONS DE LA NOTICE TECHNIQUE TE CONNECTIVITY 411-15672  
 18 LES DIFFERENTES VERSIONS SONT LIVREES DE FACON ALEATOIRE  
 19 PAS DE MARQUAGE POUR LES PIECES DIRECTEMENT ASSEMBLEES APRES MOULAGE  
 20 ALLEGEMENTS ET FORMES COSMETIQUES PEUVENT DIFFERER D'UN MOULE A L'AUTRE  
 21 MARQUAGES ET POSITIONS PEUVENT DIFFERER D'UN MOULE A L'AUTRE  
 PI POUR INFORMATION

LOCALE NOTES ARE BETWEEN <->  
 APPLICABLE SPECIFICATION :  
 TE SPECIFICATION (SEE BEFORE)  
 TE INTERFACE DRAWING (SEE BEFORE)  
 ADDITIONAL NOTES :  
 INSTRUCTION SHEET : (SEE BEFORE)  
 PART NUMBER SHOWN (SEE BEFORE)  
 SECONDARY LOCK IN PRELOCKED POSITION (PREFERRED DELIVERY POSITION). IF SECONDARY LOCKING IS NOT IN THIS POSITION, FOLLOW INSTRUCTIONS OF TE CONNECTIVITY SPECIFICATION 411-15672  
 THE DIFFERENT VERSIONS ARE DELIVERED SO RANDOM  
 NO MARKING REQUIRED FOR THE PART MOLDING WITH DIRECT ASSEMBLY  
 LIGHTENINGS (DIMENSION & LOCATION), COSMETIC SHAPES CAN DIFFER FROM ONE MOLD TO ANOTHER  
 MARKING TYPE & LOCATION CAN DIFFER FROM ONE MOLD TO ANOTHER  
 FOR REFERENCE ONLY



TE PART NUMBER	DESCRIPTION / DESCRIPTION	CODAGE / KEYING	MATIERE BOITIER - MATIERE VERROU SECONDAIRE / HOUSING MATERIAL - RETAINER MATERIAL	COULEUR BOITIER - COULEUR VERROU SECONDAIRE / HOUSING COLOR - RETAINER COLOR	REVISION ASSEMBLAGE / ASSEMBLY REVISION CODE
1379659-7	CONNECTEUR 8 VOIES / 8 WAY CONNECTOR	7 / 7	PBT-PBT / PBT-PBT	VIOLET-NATUREL / PURPLE-NATURAL	B
1379659-6	CONNECTEUR 8 VOIES / 8 WAY CONNECTOR	6 / 6	PBT-PBT / PBT-PBT	ROUGE-NATUREL / RED-NATURAL	B
1379659-5	CONNECTEUR 8 VOIES / 8 WAY CONNECTOR	NEUTRE / NEUTRAL	PBT-PBT / PBT-PBT	NATUREL-NATUREL / NATURAL-NATURAL	B
1379659-4	CONNECTEUR 8 VOIES / 8 WAY CONNECTOR	4 / 4	PBT-PBT / PBT-PBT	VERT-NATUREL / GREEN-NATURAL	B
1379659-3	CONNECTEUR 8 VOIES / 8 WAY CONNECTOR	3 / 3	PBT-PBT / PBT-PBT	BLEU-NATUREL / BLUE-NATURAL	B
1379659-2	CONNECTEUR 8 VOIES / 8 WAY CONNECTOR	2 / 2	PBT-PBT / PBT-PBT	GRIS-NATUREL / GREY-NATURAL	B
1379659-1	CONNECTEUR 8 VOIES / 8 WAY CONNECTOR	1 / 1	PBT-PBT / PBT-PBT	NOIR-NATUREL / BLACK-NATURAL	B

THIS DRAWING IS A CONTROLLED DOCUMENT.

OWN / BREVETE : 29 OCT 2002  
 D. BANCE  
 CHA. PERVIE : 04 NOV 2002  
 B. DUPOND

APVD / APPROUVE : 04 NOV 2002  
 JP. PICAUD  
 PRODUCT SPEC  
 SPEC. PRODUCT  
 SEE TABLE

APPLICATION SPEC  
 SPEC. APPLICATION  
 SEE TABLE

WEIGHT :  
 MASSE APPROX. :

CUSTOMER DRAWING / PLAN CLIENT

UNIFORMITY FOUR REFERENCE

SCALE ECHELLE : 4:1

SHEET FEUILLE : 1 OF 2

REV L

STE TE Connectivity

025 TH 8 POS PLUG HOUSING

SIZE FORMAT : A1

CAGE CODE DRAWING NO. IN PLAN : 100779

DRAWING NO. : 1379659

LOC		DIST		REVISIONS			
P	LTN	REV	DESCRIPTION	DATE	DWN	APVD	APP.
-	-	-	SEE SHEET 1	-	-	-	-

PN 1379659-1	PN 1379659-2	PN 1379659-3	PN 1379659-4	PN 1379659-5	PN 1379659-6	PN 1379659-7
CODAGE 1 (NOIR) KEYING 1 (BLACK)	CODAGE 2 (GRIS) KEYING 2 (GRAY)	CODAGE 3 (BLEU) KEYING 3 (BLUE)	CODAGE 4 (VERT) KEYING 4 (GREEN)	CODAGE NEUTRE (NATUREL) NEUTRAL KEYING (NATURAL)	CODAGE 6 (ROUGE) KEYING 6 (RED)	CODAGE 7 (VIOLET) KEYING 7 (PURPLE)

THIS DRAWING IS A CONTROLLED DOCUMENT.

DWN / BRESINE: 29 OCT 2002  
 D. BANCE  
 CHK / VERITE: 04 NOV 2002  
 B. DUPOND

APVD / APPROVE: 04 NOV 2002  
 JP. PICAUD

NAME: 025 TH 8 POS PLUG HOUSING

PRODUCT SPEC: SEE TABLE  
 SPEC. PRODUCT: SEE TABLE  
 APPLICATION SPEC: SEE TABLE  
 SPEC. APPLICATION: SEE TABLE

SIZE: A1  
 CAGE CODE: 1379659  
 DRAWING NO: 1379659

RESTRICTED TO RESERVE A

CUSTOMER DRAWING / PLAN CLIENT UNIFORMEMENT FOUR REFERENCE SCALE 4:1 SHEET 2 OF 2 REV L

## X-ON Electronics

Largest Supplier of Electrical and Electronic Components

*Click to view similar products for [Automotive Connectors](#) category:*

*Click to view products by [TE Connectivity](#) manufacturer:*

Other Similar products are found below :

[003-018-000](#) [60403001](#) [60993906-B](#) [M902-2131](#) [M902-2161](#) [72.330.1035.1](#) [73.353.4028.0](#) [F119300-B](#) [F166900](#) [F258300-B](#) [F358300-B](#)  
[F407400](#) [F444110](#) [F487000](#) [F509500B-B](#) [827153-1](#) [8N1515-32-24P](#) [9-1326729-8](#) [925474-1](#) [928905-1](#) [964562-4](#) [968782-1](#) [GT17SA-8DS-](#)  
[HU](#) [98891-1012](#) [98947-1016](#) [12004147](#) [12004475-L](#) [12010290](#) [12010309-B](#) [12015454](#) [12020219-B](#) [12020308](#) [12041318-B](#) [12052225-L](#)  
[12052466](#) [12059125](#) [12064869](#) [12004327-B](#) [12010503-B](#) [12015308](#) [12015384](#) [12015909](#) [1-21030-1](#) [12041254](#) [12041318](#) [12047946-B](#)  
[12047957](#) [12047957-L](#) [12059473](#) [12066261](#)