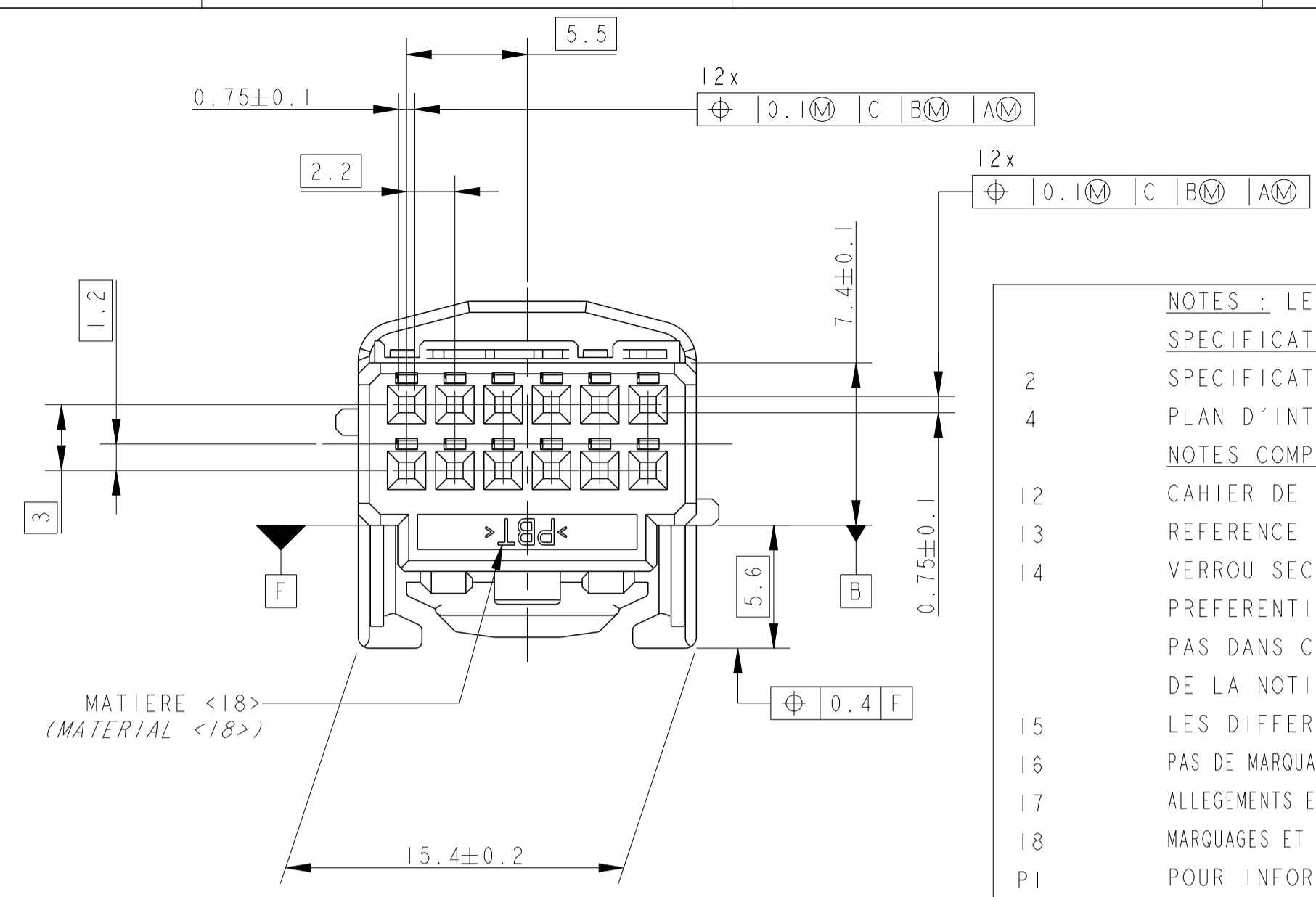
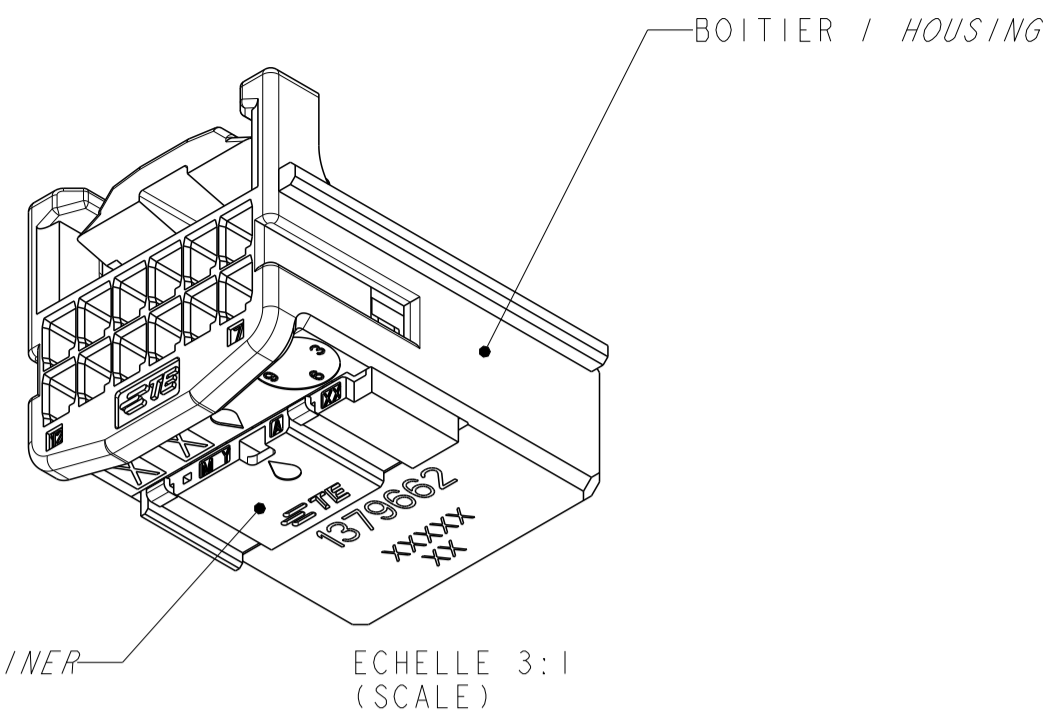
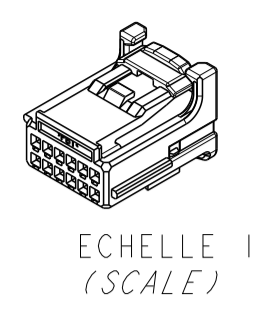
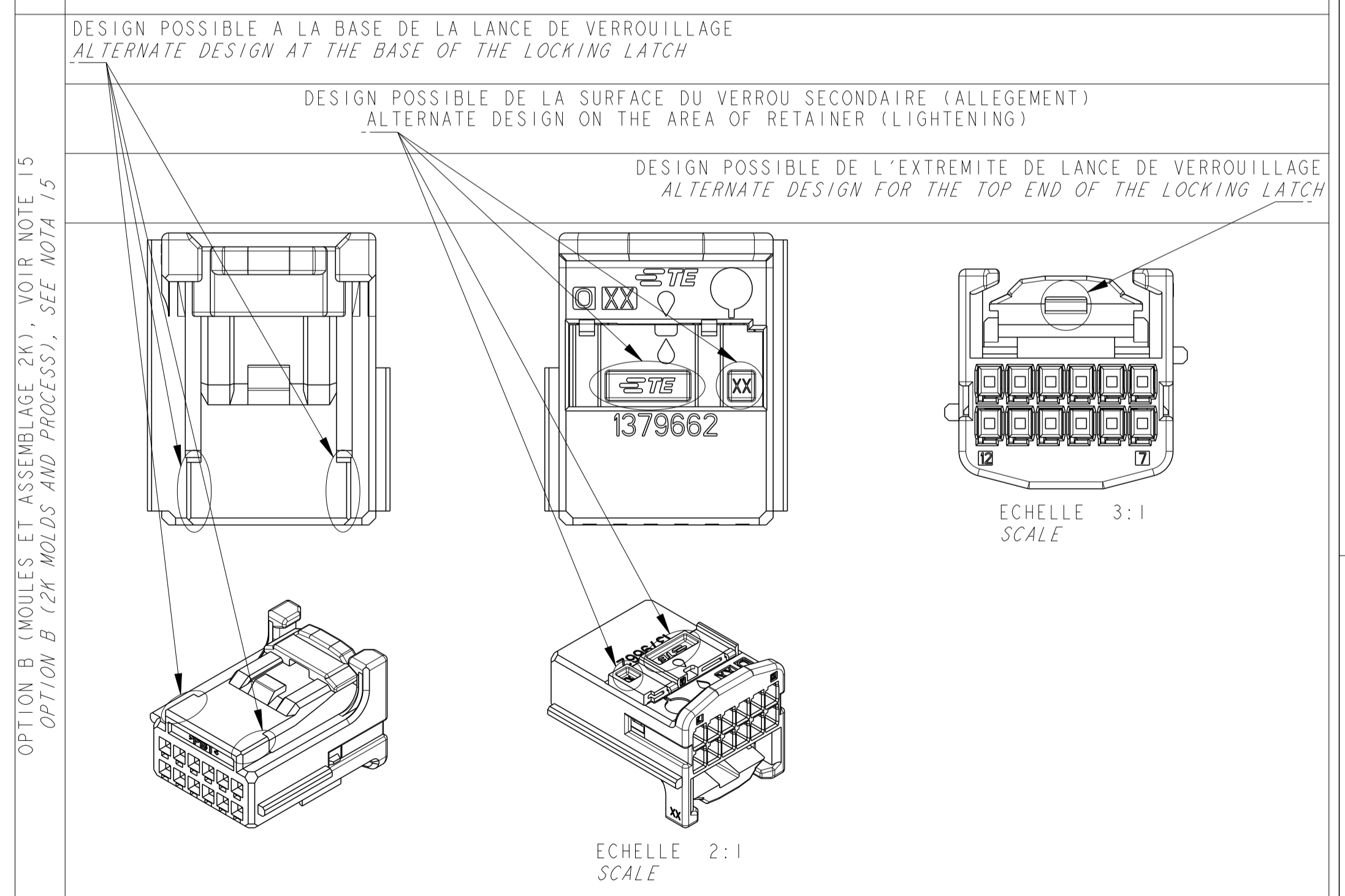
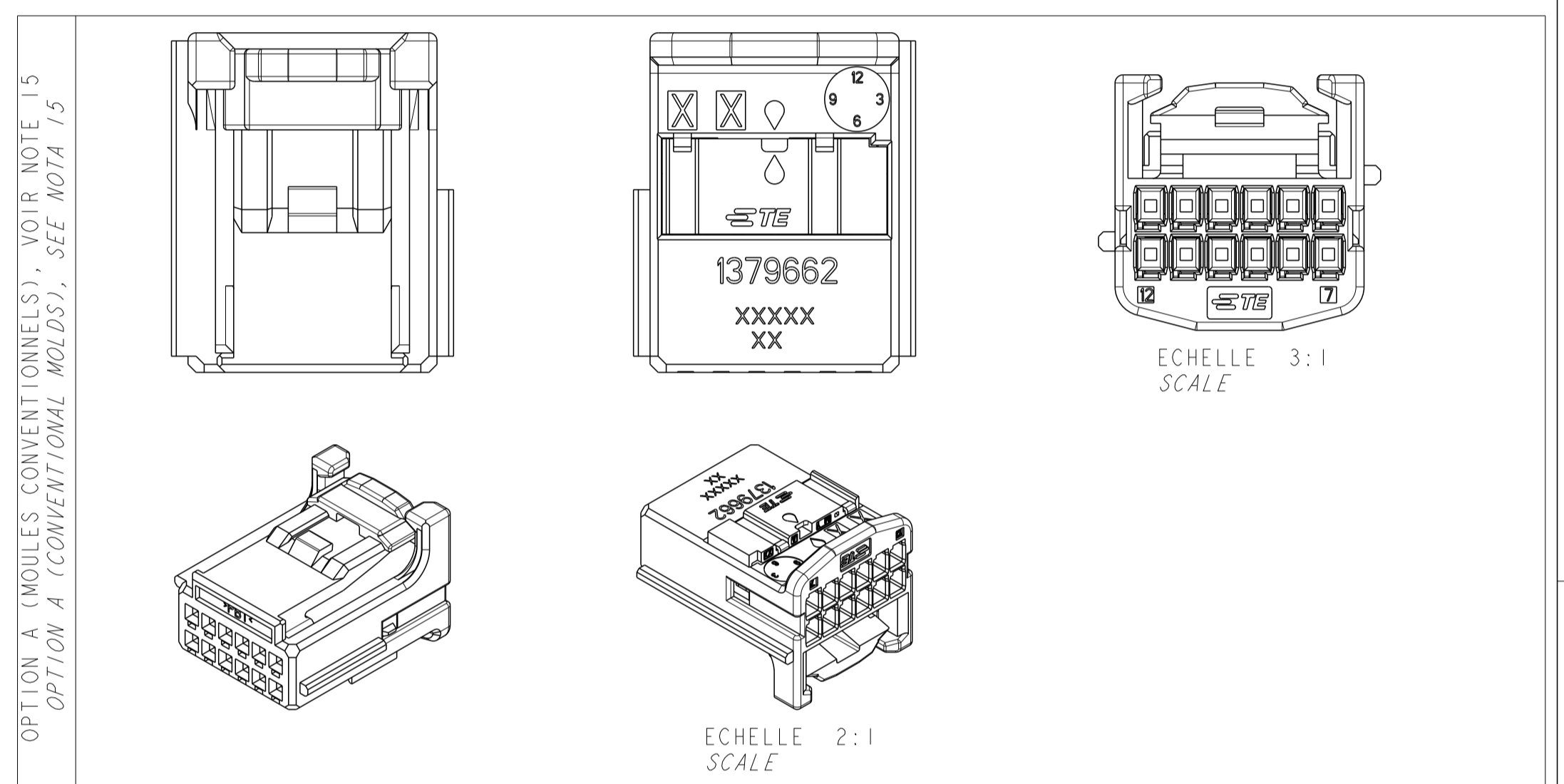
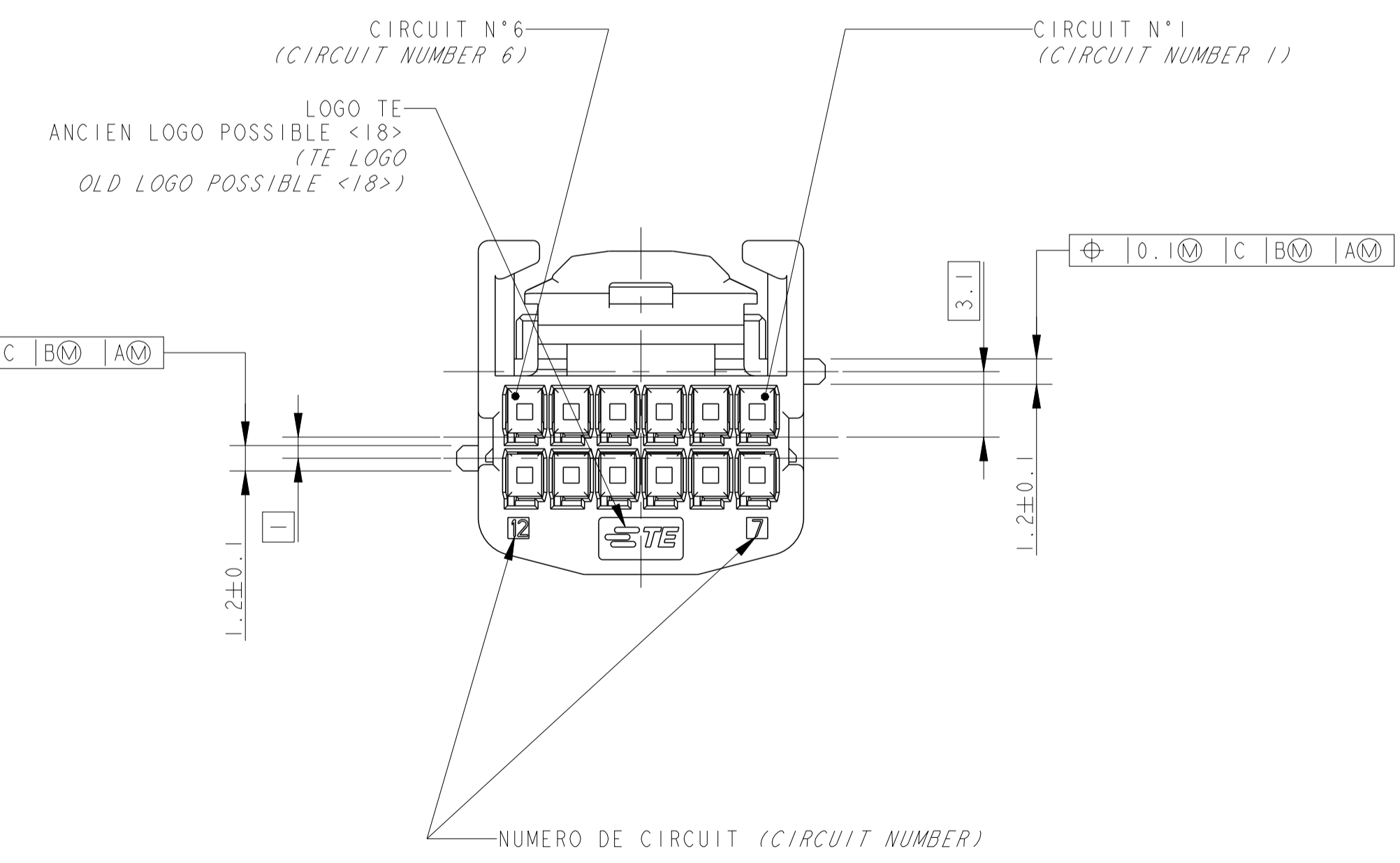
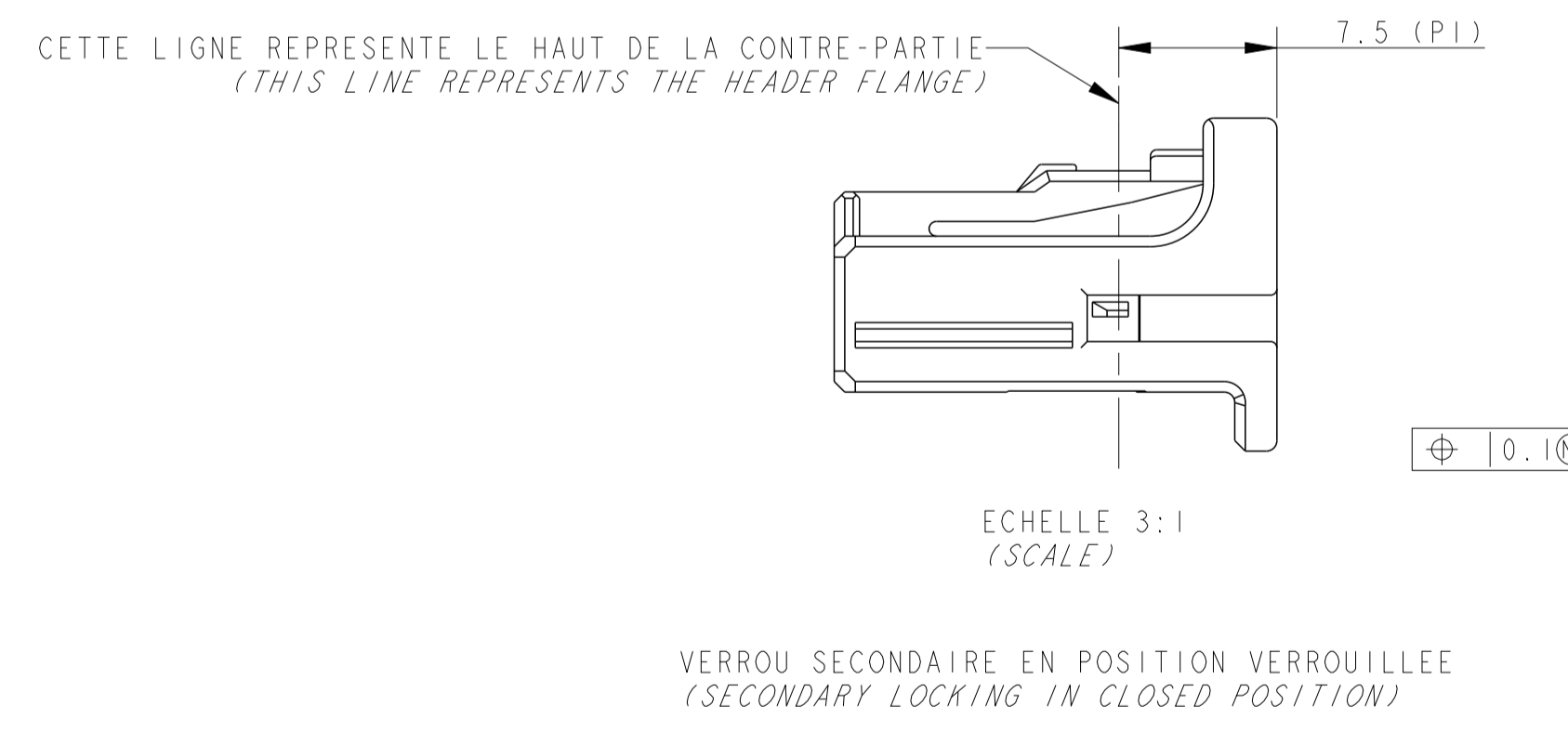
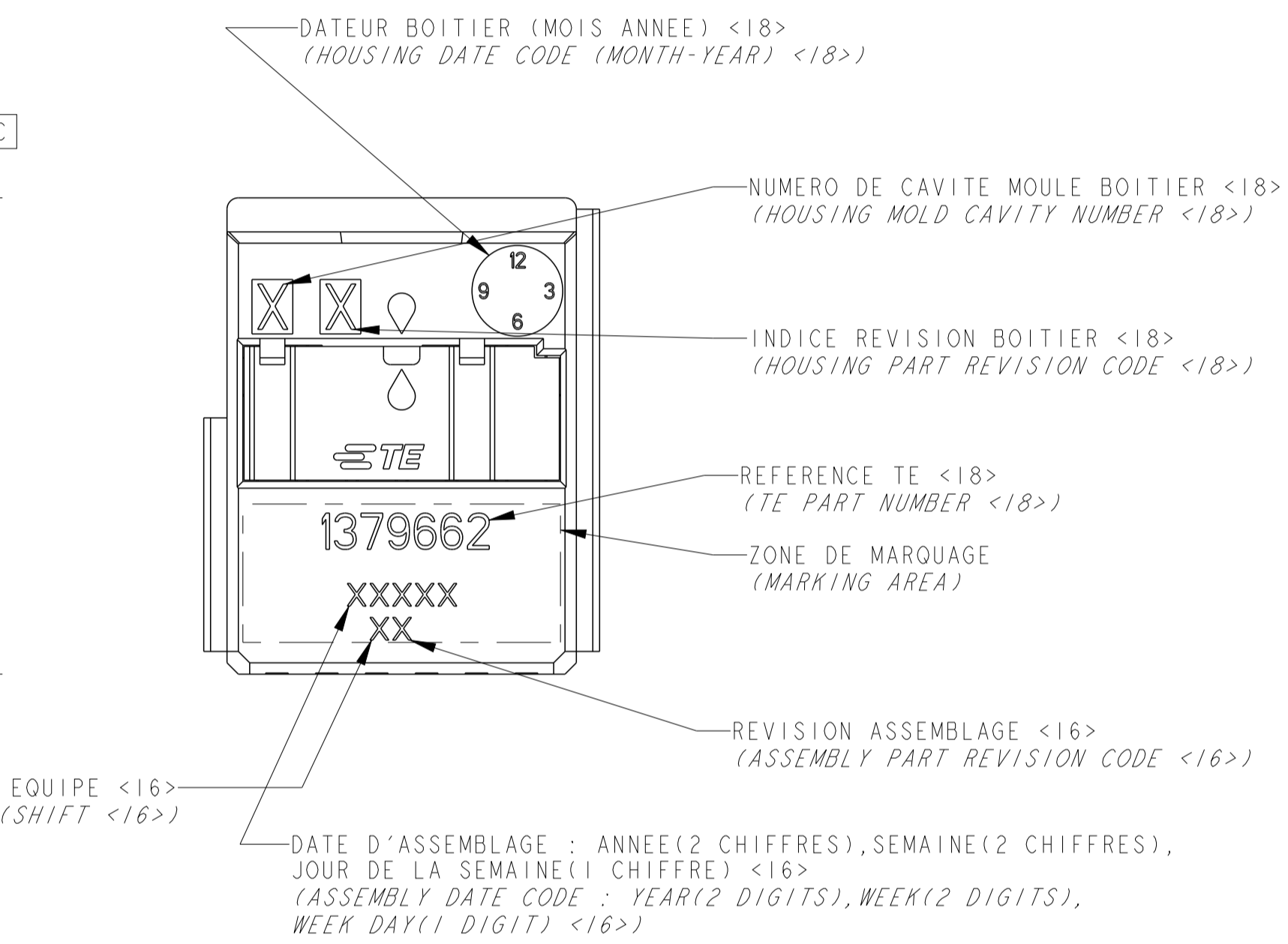
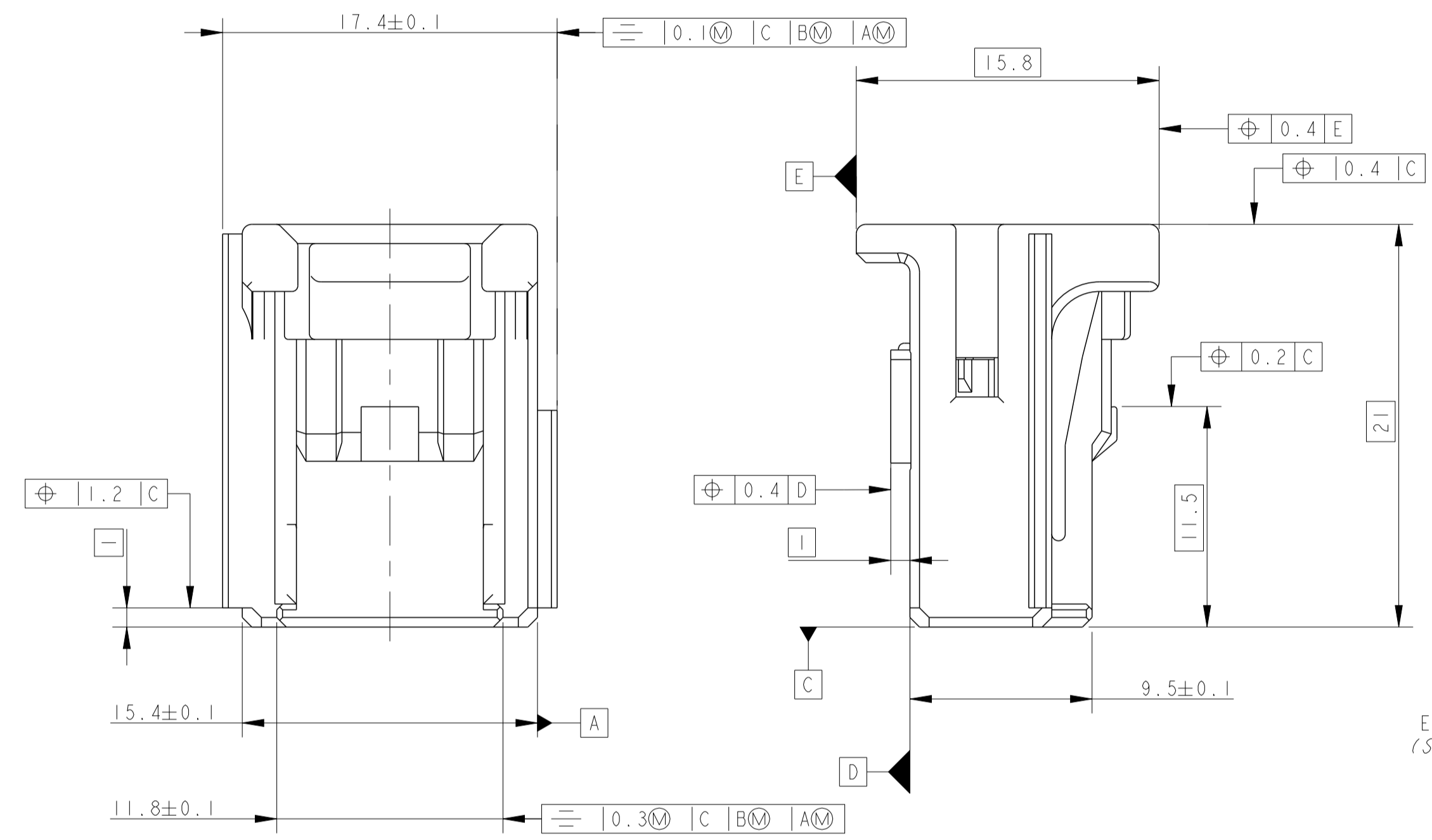


LOC	DIST	REVISIONS						
F	00	P	LTN	REV	DESCRIPTION	DATE	OWN	APVD
		A			ADD GOLDED CONTACT, NEUTRAL CODING	21OCT2005	BD	JPP
		B			ADD ALTERNATE ANTI OVERSTRESS DESIGN	21AUG2013	DB	JPP
		C			CORRECTION OF ALTERNATE DESIGN	18SEP2013	DB	JPP
		D			SUPPRESS WITHOUT EARS VERSION, ADD DESIGN PERMISSIBLE FOR 2K MOLD	20JUN2017	DB	XR



NOTES : LES NOTES LOCALES SONT ENTRE <->
 SPECIFICATIONS DE REFERENCE :
 2 SPECIFICATION TE : 108-15299
 4 PLAN D'INTERFACE TE : 1379776
 NOTES COMPLEMENTAIRES :
 12 CAHIER DE PRECONISATION : 411-15672
 13 REFERENCE REPRESENTEE : 1379662-1
 14 VERRU SECONDAIRE PERVERROUILLE (POSITION PREFERENTIELLE DE LIVRAISON). SI LE VERRU N'EST PAS DANS CETTE POSITION, SUIVRE LES INSTRUCTIONS DE LA NOTICE TECHNIQUE TE 411-15672 §8.2
 15 LES DIFFERENTES VERSIONS SONT LIVREES DE FACON ALEATOIRE
 16 PAS DE MARQUAGE POUR LES PIECES DIRECTEMENT ASSEMBLEES APRES MOULAGE
 17 ALLEGEMENTS ET FORMES COSMETIQUES PEUVENT DIFFERER D'UN MOULE A L'AUTRE
 18 MARQUAGES ET POSITIONS PEUVENT DIFFERER D'UN MOULE A L'AUTRE
 P1 POUR INFORMATION

LOCALE NOTES ARE BETWEEN <->
 APPLICABLE SPECIFICATION :
 TE SPECIFICATION (SEE BEFORE)
 TE INTERFACE DRAWING (SEE BEFORE)
 ADDITIONAL NOTES :
 INSTRUCTION SHEET : (SEE BEFORE)
 PART NUMBER SHOWN (SEE BEFORE)
 SECONDARY LOCK IN PRELOCKED POSITION (PREFERRED DELIVERY POSITION). IF SECONDARY LOCKING IS NOT IN THIS POSITION, FOLLOW INSTRUCTIONS OF TE SPECIFICATION 411-15672 §8.2
 THE DIFFERENT VERSIONS ARE DELIVERED SO RANDOM
 NO MARKING REQUIRED FOR THE PART MOLDING WITH DIRECT ASSEMBLY
 LIGHTENINGS (DIMENSION & LOCATION), COSMETIC SHAPES CAN DIFFER FROM ONE MOLD TO ANOTHER
 MARKING TYPE & LOCATION CAN DIFFER FROM ONE MOLD TO ANOTHER
 FOR REFERENCE ONLY



CONTACTS ASSOCIES LISTE NON EXHAUSTIVE (APPLIED CONTACTS NON EXHAUSTIVE LIST)

REF TE / TE PN	FINITION (FINISH)	DESIGNATION (DESIGNATION)
1123343-2	DORE (0.38µm) / GOLDÉ (0.38µm)	CLIP .635 (.635 CONTACT) 0.35 A 0.5 MM ² (SOMM)
1801069-2	DORE (0.8µm) / GOLDÉ (0.8µm)	CLIP .635 (.635 CONTACT) 0.35 A 0.5 MM ² (SOMM)
1674298-1	ETAME (TINNED)	CLIP .635 (.635 CONTACT) 0.35 A 0.5 MM ² (SOMM)

REF TE / TE PN	DESCRIPTION / DESCRIPTION	CODAGE / KEYING	MATIERE BOITIER - MATIERE VERRU SECONDAIRE / HOUSING MATERIAL - RETAINER MATERIAL	COULEUR BOITIER - COULEUR VERRU SECONDAIRE / HOUSING COLOR - RETAINER COLOR	REVISION ASSEMBLAGE / ASSEMBLY REVISION CODE
1379662-5	CONNECTEUR 12 VOIES / 12 WAY CONNECTOR	NEUTRE / NEUTRAL	PBT-PBT / PBT-PBT	NATUREL-NATUREL / NATURAL-NATURAL	0
1379662-2	CONNECTEUR 12 VOIES / 12 WAY CONNECTOR	2 / 2	PBT-PBT / PBT-PBT	GRIS-NATUREL / GREY-NATURAL	0
1379662-1	CONNECTEUR 12 VOIES / 12 WAY CONNECTOR	1 / 1	PBT-PBT / PBT-PBT	NOIR-NATUREL / BLACK-NATURAL	0

THIS DRAWING IS A CONTROLLED DOCUMENT. CE PLAN EST UN DOCUMENT CONTRÔLÉ PAR TOSCO ELECTRONICS - IL EST SUSCEPTIBLE DE ÊTRE PERDU - CONTACTER LE SERVICE TECHNIQUE DE TOSCO ELECTRONICS POUR OBTENIR LA REPLIQUE RELATION.

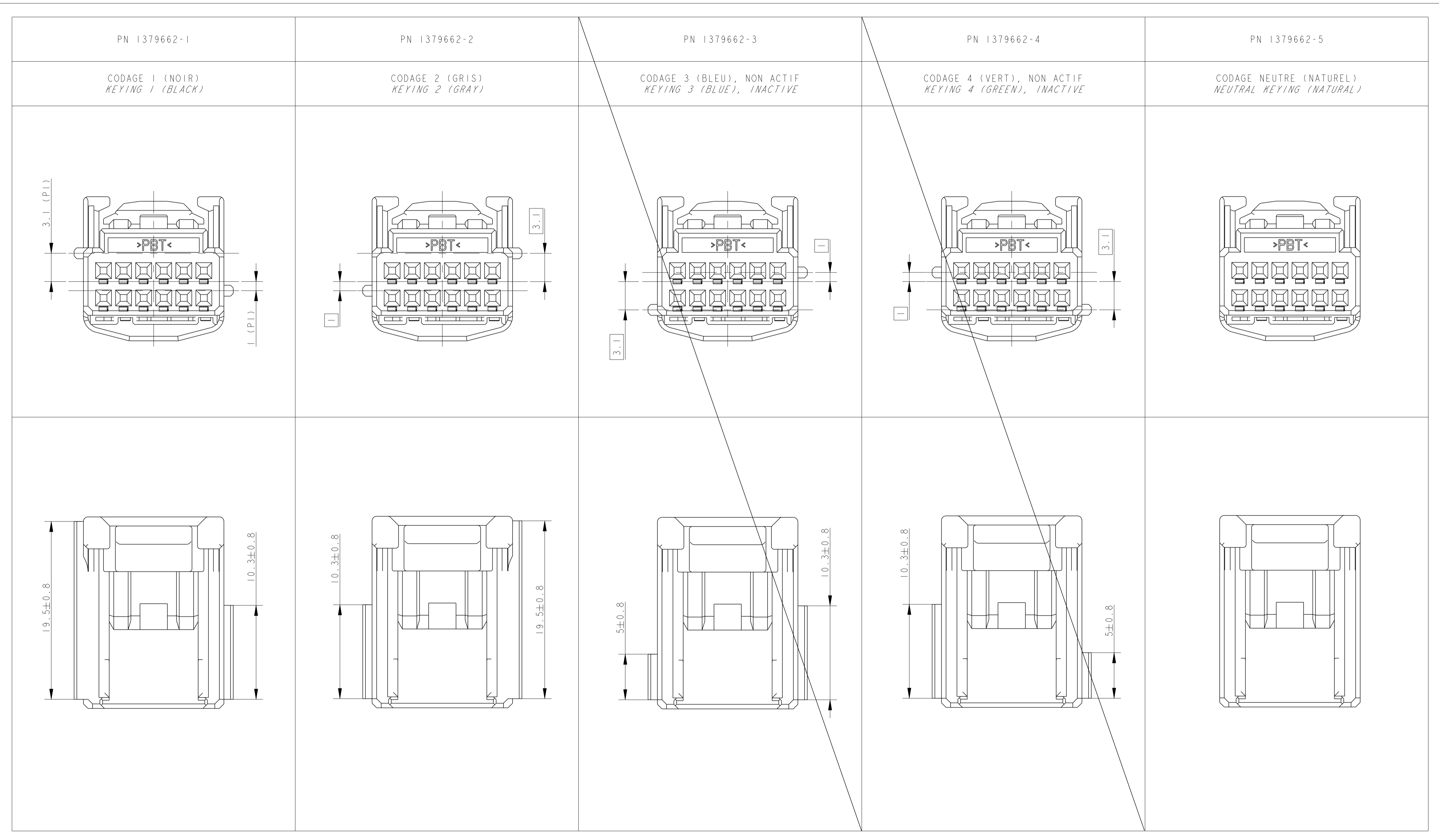
OWN / PRESSIE 29OCT2002
 D. BANCE 04NOV2002
 CHA / PRETIE B. DUPONT

APVD / APPROVE JP / P1CAUD 04NOV2002
 SPEC. PRODUCT SEE TABLE
 APPLICATION SPEC SEE TABLE
 WEIGHT: -
 MASS APPROX. -

NAME / TITRE 025 TH 12 POS PLUG HOUSING
 SIZE / FORMAT A1
 CAGE CODE / DRAWING NO 00779
 UNIFORMITY / SCALE 4:1
 SHEET / FEUILLE 1 OF 2
 REV / REV D

TE Connectivity

LOC		DIST		REVISIONS			
P	LTN	REV	DESCRIPTION	DATE	DWN	APVD	APP
-	-	-	SEE SHEET 1	-	-	-	-



THIS DRAWING IS A CONTROLLED DOCUMENT. DWN / DRESSINE 29OCT2002
 CE PLAN EST UN DOCUMENT CONTROLÉ PAR TUXO ELECTRONICS - IL EST D. DANCE
 SUSCEPTIBLE D'ÊTRE MODIFIÉ. CONSULTER LE SERVICE TECHNIQUE. CHAÎ. PIERREIE 04NOV2002
 DE TUXO ELECTRONICS POUR OBTENIR LA DERNIÈRE RÉVISION. B. DUPONT

STE TE Connectivity

APVD / APPROVE J.P. PICAUD 04NOV2002 NAME 025 TH 12 POS
 CHAÎ. PIERREIE 04NOV2002 TYPE PLUG HOUSING
 PRODUCT SPEC SEE TABLE
 SPEC. PRODUCT SEE TABLE
 APPLICATION SPEC SEE TABLE
 SPEC. APPLICATION SEE TABLE

SIZE A1 CAGE CODE 00779 DRAWING NO. 1379662 RESTRICTED TO RESERVE A
 FORMAT CUSTOMER DRAWING / PLAN CLIENT UNIFORMITÉ FOUR REFERENCE SCALE 4:1 SHEET 2 OF 2 REV D
 WEIGHT: - MASSÉ APPROX. -

TOLERANCES UNLESS OTHERWISE SPECIFIED:
 DIMENSIONS: mm
 TOLERANCES NON SPECIFIÉES:
 (S'IL Y A DE DÉCIMALES):
 0 P.L.C./DEC. ±0.2
 1 P.L.C./DEC. ±0.2
 2 P.L.C./DEC. ±0.2
 3 P.L.C./DEC. ±0.2
 4 P.L.C./DEC. ±0.2
 ANGLES ±5°
 FINISH / FINITION -

X-ON Electronics

Largest Supplier of Electrical and Electronic Components

Click to view similar products for [Automotive Connectors](#) category:

Click to view products by [TE Connectivity](#) manufacturer:

Other Similar products are found below :

[003-018-000](#) [60403001](#) [60993906-B](#) [M902-2131](#) [M902-2161](#) [M902-2344](#) [72.330.1035.1](#) [73.353.4028.0](#) [F119300-B](#) [F166900](#) [F258300-B](#)
[F358300-B](#) [F407400](#) [F444110](#) [F487000](#) [F509500B-B](#) [827153-1](#) [8N1515-32-24P](#) [9-1326729-8](#) [925474-1](#) [928905-1](#) [964562-4](#) [968782-1](#)
[GT17SA-8DS-HU](#) [98891-1012](#) [98947-1016](#) [12004147](#) [12004475-L](#) [12010290](#) [12010309-B](#) [12015454](#) [12020219-B](#) [12041318-B](#) [12052225-](#)
[L](#) [12052466](#) [12064869](#) [12004327-B](#) [12015308](#) [12015384](#) [12015909](#) [1-21030-1](#) [12041254](#) [12041318](#) [12047946-B](#) [12047957](#) [12047957-L](#)
[12059473](#) [12066261](#) [12110546](#) [12110546-B](#)