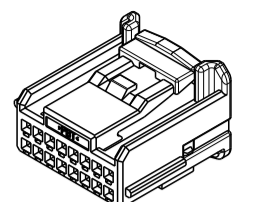
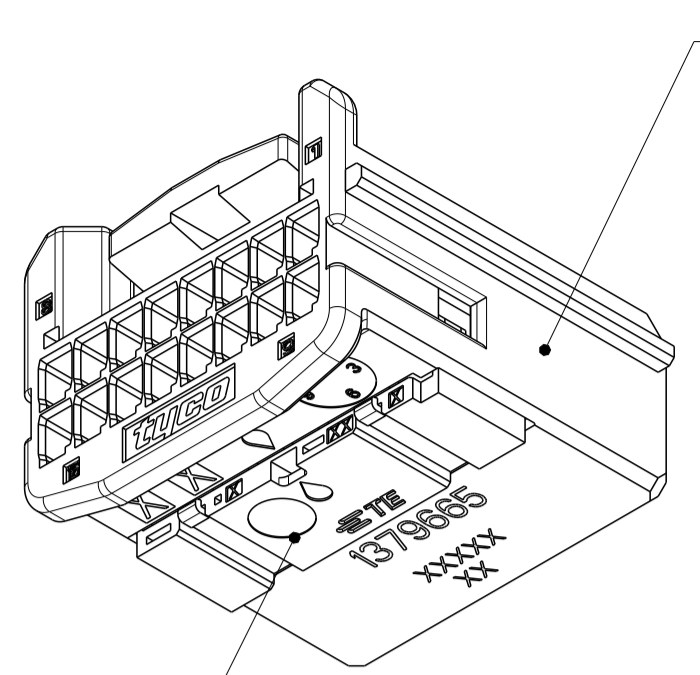


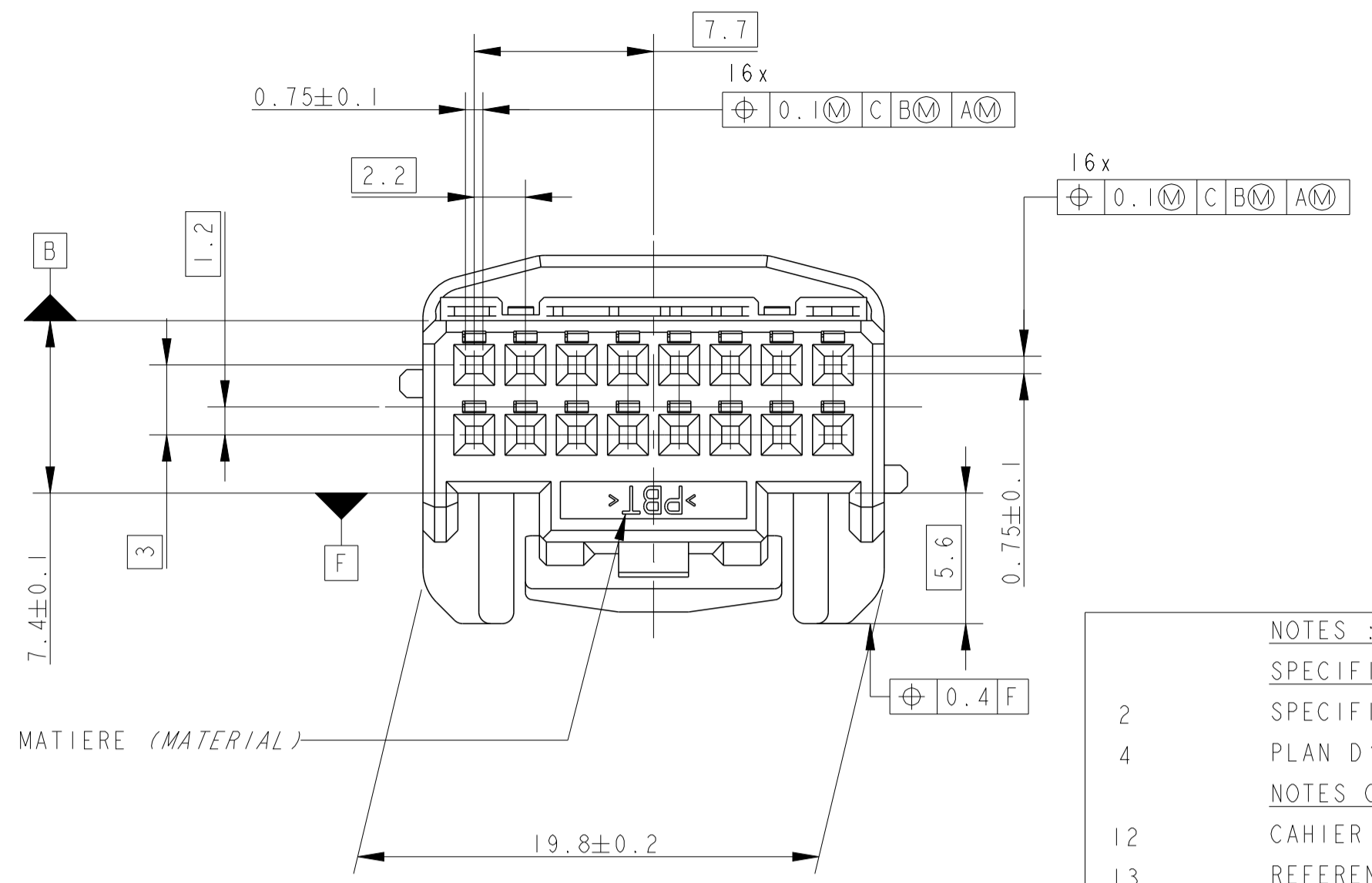
LOC	DIST	REVISIONS					
F	00	P	LTN	DESCRIPTION	DATE	OWN	APPV
		A		ADD GOLDED CONTACT, ADD CODING 3,4,5	20OCT2005	BD	JPP
		B		ADD ALTERNATE ANTI OVERSTRESS DESIGN	22AUG2013	DB	JPP
		C		UPGRADE ASSEMBLY REVISION WITHOUT CHANGE	10DEC2013	DB	JPP



ECHELLE 1:1 (SCALE)

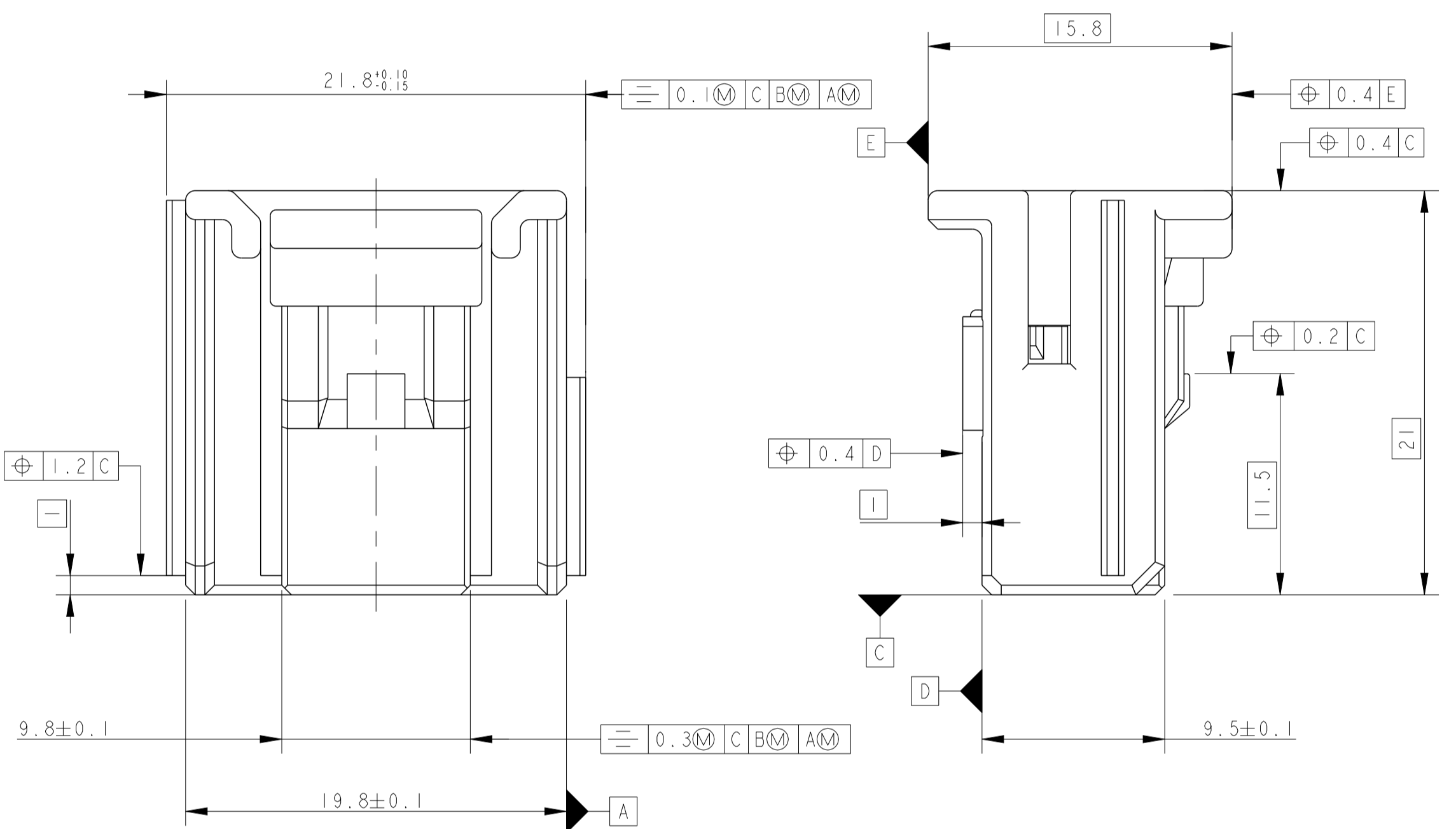


BOITIER / HOUSING
VERROU SECONDAIRE / RETAINER
ECHELLE 3:1 (SCALE)

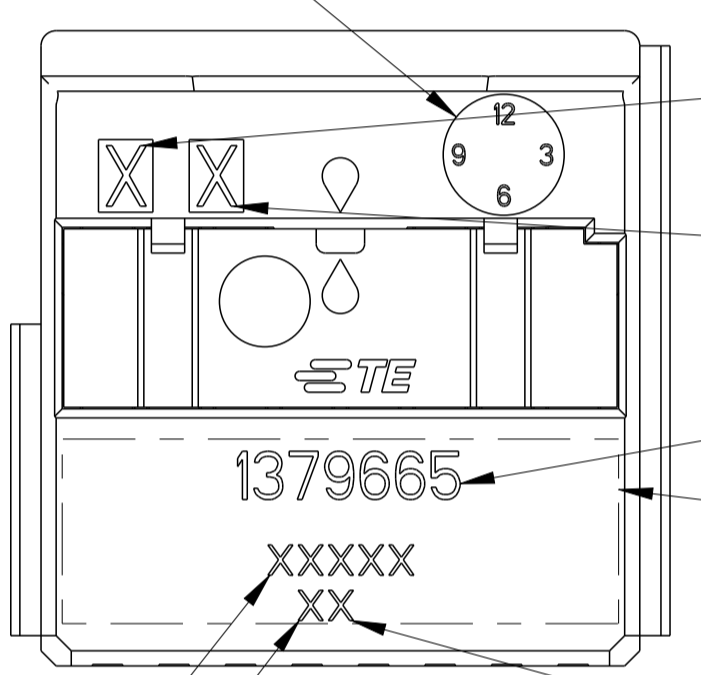


NOTES : LES NOTES LOCALES SONT ENTRE <->
SPECIFICATIONS DE REFERENCE :
SPECIFICATION TE : 108-15299
PLAN D'INTERFACE TE : 1379777
NOTES COMPLEMENTAIRES :
12 CAHIER DE PRECONISATION : 411-15672
13 REFERENCE REPRESENTEE : 1379665-1
14 VERROU SECONDAIRE PREVERROUILLE (POSITION PREFERENTIELLE DE LIVRAISON). SI LE VERROU N'EST PAS DANS CETTE POSITION, SUIVRE LES INSTRUCTIONS DE LA NOTICE TECHNIQUE TE 411-15672 §8.2
15 LES DIFFERENTES VERSIONS SONT LIVREES DE FACON ALEATOIRE POUR INFORMATION

LOCALE NOTES ARE BETWEEN <->
APPLICABLE SPECIFICATION :
TE SPECIFICATION : (SEE BEFORE)
TE INTERFACE DRAWING : (SEE BEFORE)
ADDITIONAL NOTES :
INSTRUCTION SHEET : (SEE BEFORE)
PART NUMBER SHOWN : (SEE BEFORE)
SECONDARY LOCK IN PRELOCKED POSITION (PREFERED DELIVERY POSITION). IF SECONDARY LOCKING IS NOT IN THIS POSITION, FOLLOW INSTRUCTIONS OF TE SPECIFICATION 411-15672 §8.2
THE DIFFERENT VERSIONS ARE DELIVERED SO RANDOM FOR REFERENCE ONLY

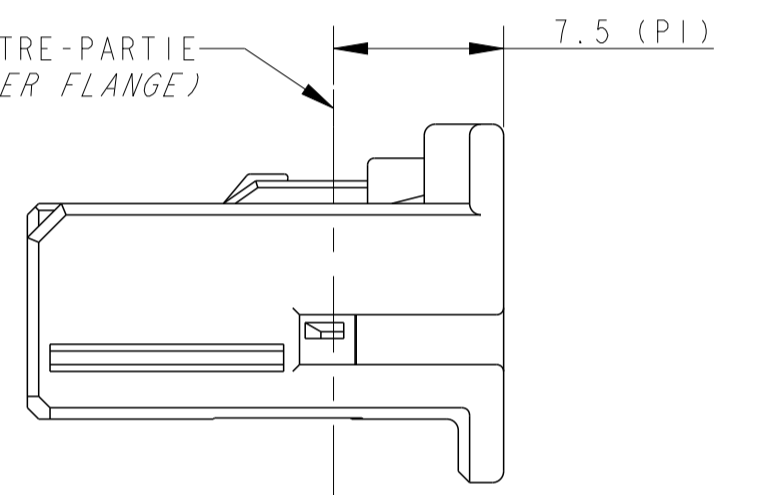


DATEUR BOITIER (MOIS ANNEE) (HOUSING DATE CODE (MONTH-YEAR))



- NUMERO DE CAVITE MOULE BOITIER (HOUSING MOLD CAVITY NUMBER)
- INDICE REVISION BOITIER (HOUSING PART REVISION CODE)
- REFERENCE TE (TE PART NUMBER)
- ZONE DE MARQUAGE (MARKING AREA)
- REVISION ASSEMBLAGE (ASSEMBLY PART REVISION CODE)

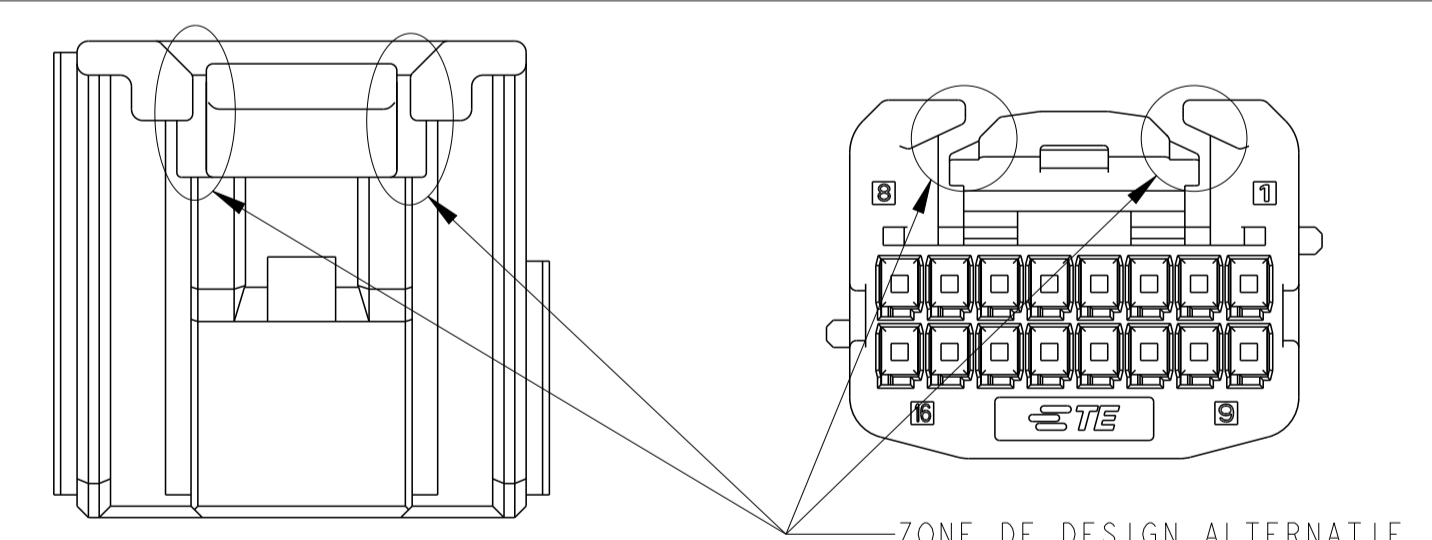
CETTE LIGNE REPRESENTE LE HAUT DE LA CONTRE-PARTIE (THIS LINE REPRESENTS THE HEADER FLANGE)



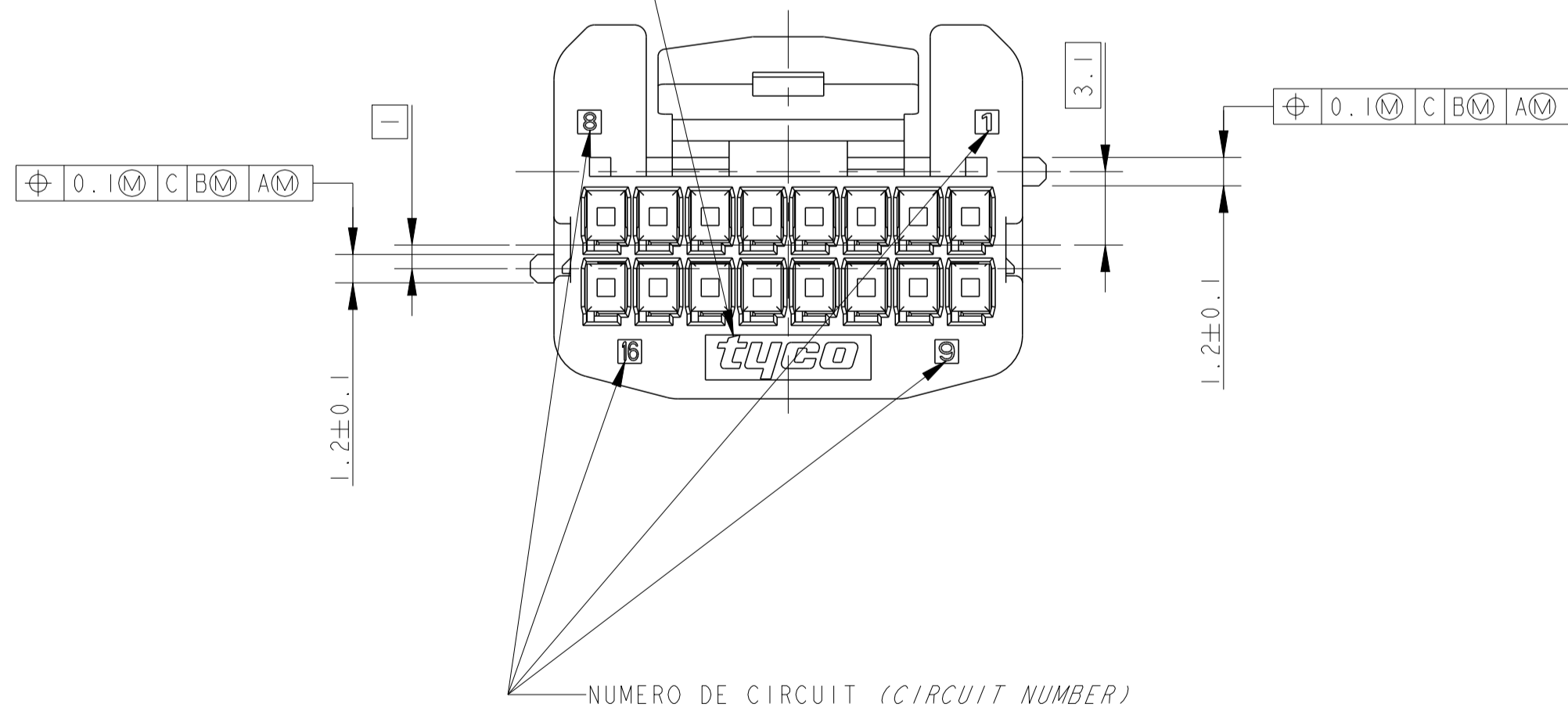
ECHELLE 3:1 (SCALE)

VERROU SECONDAIRE EN POSITION VERROUILLEE (SECONDARY LOCKING IN CLOSED POSITION)

DESIGN POSSIBLE AVEC FONCTION ANTI OVERSTRESS DE LA LANCE, VOIR NOTE 15 (ALTERNATE DESIGN WITH ANTI OVERSTRESS FUNCTION OF THE LATCH, SEE NOTA 15)



LOGO TE (TE LOGO)



NUMERO DE CIRCUIT (CIRCUIT NUMBER)

CONTACTS ASSOCIES LISTE NON EXHAUSTIVE (APPLIED CONTACTS NON EXHAUSTIVE LIST)

REF TE (TE PN)	FINITION (FINISH)	DESIGNATION (DESIGNATION)
1123343-2	DORE (0.38µm) / GOLDÉ (0.38µm)	CLIP .635 (.635 CONTACT) 0.35 A 0.5 MM ² (SOMM)
1801069-2	DORE (0.8µm) / GOLDÉ (0.8µm)	CLIP .635 (.635 CONTACT) 0.35 A 0.5 MM ² (SOMM)
1674298-1	ETAME (TINNED)	CLIP .635 (.635 CONTACT) 0.35 A 0.5 MM ² (SOMM)

REF TE / TE PN	DESCRIPTION / DESCRIPTION	CODAGE / KEYING	MATIERE BOITIER - MATIERE VERROU SECONDAIRE / HOUSING MATERIAL - RETAINER MATERIAL	COULEUR BOITIER - COULEUR VERROU SECONDAIRE / HOUSING COLOR - RETAINER COLOR	REVISION ASSEMBLAGE / ASSEMBLY REVISION CODE
1379665-5	CONNECTEUR 16 VOIES / 16 WAYS CONNECTOR	NEUTRE / NEUTRAL	PBT-PBT / PBT-PBT	NATUREL-NATUREL / NATURAL-NATURAL	A
1379665-4	CONNECTEUR 16 VOIES / 16 WAYS CONNECTOR	4 / 4	PBT-PBT / PBT-PBT	VERT-NATUREL / GREEN-NATURAL	A
1379665-3	CONNECTEUR 16 VOIES / 16 WAYS CONNECTOR	3 / 3	PBT-PBT / PBT-PBT	BLEU-NATUREL / BLUE-NATURAL	A
1379665-2	CONNECTEUR 16 VOIES / 16 WAYS CONNECTOR	2 / 2	PBT-PBT / PBT-PBT	GRIS-NATUREL / GREY-NATURAL	A
1379665-1	CONNECTEUR 16 VOIES / 16 WAYS CONNECTOR	1 / 1	PBT-PBT / PBT-PBT	NOIR-NATUREL / BLACK-NATURAL	A

THIS DRAWING IS A CONTROLLED DOCUMENT. CE PLAN EST UN DOCUMENT CONTROLÉ PAR TISSOT ELECTRONICS. IL EST SOUSCRIT PAR TISSOT ELECTRONICS. CONTACTER LE SERVICE TECHNIQUE DE TISSOT ELECTRONICS POUR OBTENIR LA DERNIERE REVISION.

DWN / REVISION: 29OCT2002
D. BANCE
CHK / REVISION: 04NOV2002
B. DUPONT

APVD / APPROVE: 04NOV2002
JP - PICAUD
PRODUCT SPEC: SEE TABLE
SPEC. PRODUCT: SEE TABLE
APPLICATION SPEC: SEE TABLE
SPEC. APPLICATION: SEE TABLE

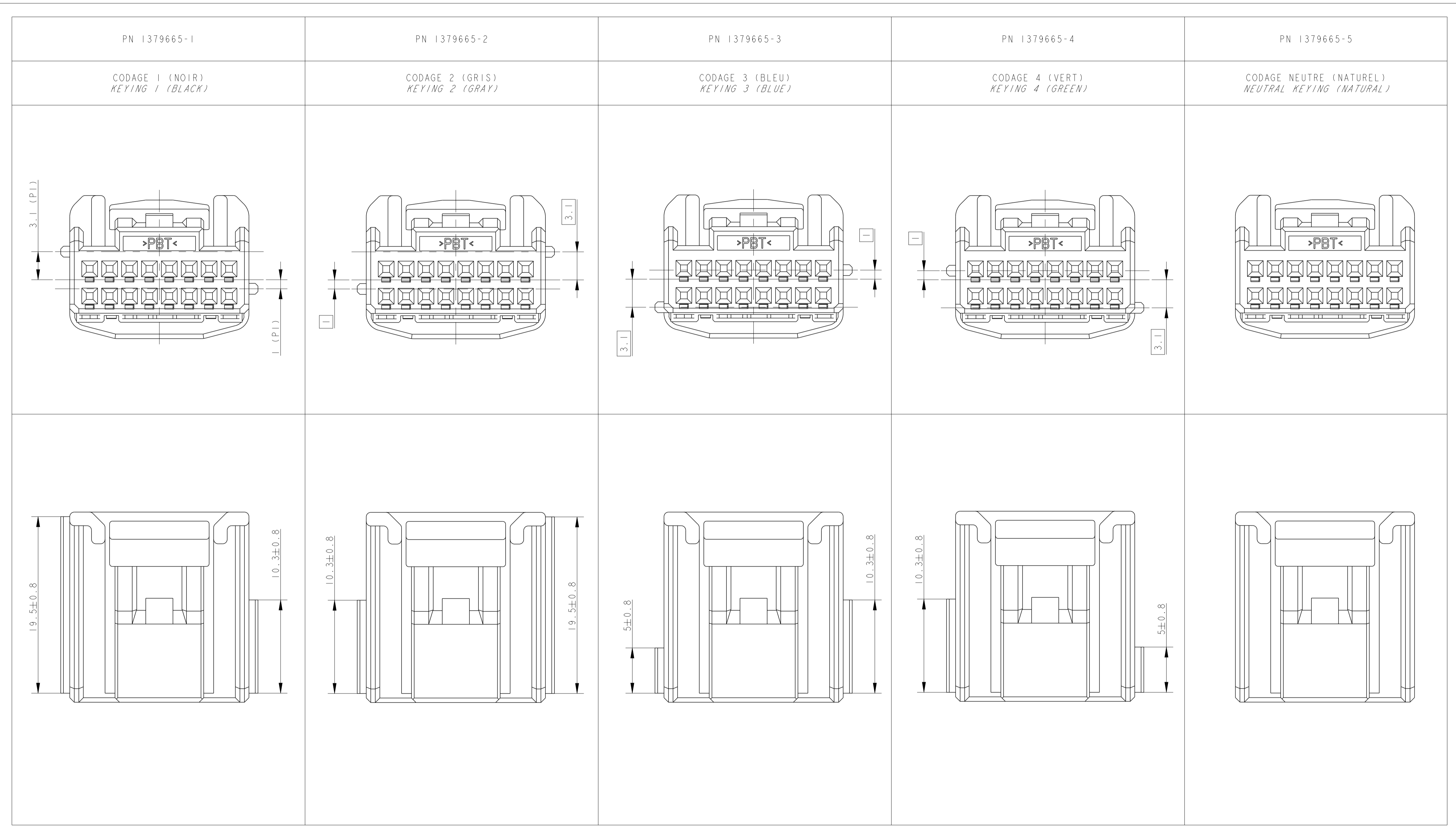
NAME: 025 TH 16 POS PLUG HOUSING

SIZE: A1
CAGE CODE: 00779
DRAWING NO: 1379665

RESTRICTED TO RESERVE A

Customer Drawing / PLAN CLIENT UNIFORMEMENT POUR REFERENCE
SCALE: 4:1
SHEET: 1 OF 2
REV: C

LOC	DIST	REVISIONS					
F	00	P	LTN	DESCRIPTION	DATE	DWN	APVD
		REV		MODIFICATIONS		DESS.	APP.
		-		SEE SHEET 1		-	-



THIS DRAWING IS A CONTROLLED DOCUMENT. CE PLAN EST UN DOCUMENT CONTRÔLÉ PAR TYSO ELECTRONICS - IL EST SOUS LE SEUL CONTRÔLE DE TYSO ELECTRONICS - LE SERVICE TECHNIQUE DE TYSO ELECTRONICS POUR OBTENIR LA DERNIÈRE RÉVISION.		DWN / REVISION: 29OCT2002 D. DANCE CHK / REVISION: 04NOV2002 B. DUPONT	TE Connectivity
DIMENSIONS: mm	TOLERANCES UNLESS OTHERWISE SPECIFIED: (S'ILY ABE DE DÉTAILS): 0 P.L.C./DEC: ±0.2 1 P.L.C./DEC: ±0.2 2 P.L.C./DEC: ±0.2 3 P.L.C./DEC: ±0.2 4 P.L.C./DEC: ±0.2 ANGLES: ±5°	APVD / APPROVE: 04NOV2002 JP. PICAUD PRODUCT SPEC: SPEC. PRODUCT: SEE TABLE APPLICATION SPEC: SPEC. APPLICATION: SEE TABLE	
MATERIAL / MATIÈRE: SEE TABLE	FINISH / FINITION: -	WEIGHT / MASSE APPROX.: -	SIZE / FORMAT: A1 CAGE CODE / DRAWING NO. / N° PLAN: 00779-1379665 Customer Drawing / PLAN CLIENT
		RESTRICTED TO / RÉSERVÉ À: -	SCALE / ÉCHELLE: 4:1 SHEET / FEUILLE: 2 OF 2 REV: C

X-ON Electronics

Largest Supplier of Electrical and Electronic Components

Click to view similar products for [Automotive Connectors](#) category:

Click to view products by [TE Connectivity](#) manufacturer:

Other Similar products are found below :

[003-018-000](#) [60993906-B](#) [M902-2131](#) [M902-2161](#) [M902-2344](#) [72.330.1035.1](#) [73.353.4028.0](#) [F166900](#) [F358300-B](#) [F407400](#) [776880-1](#)
[827153-1](#) [8N1515-32-24P](#) [9-1326729-8](#) [925474-1](#) [928905-1](#) [964562-4](#) [968782-1](#) [98891-1012](#) [12004475-L](#) [12020308](#) [12041318-B](#)
[12052466](#) [12064869](#) [12015909](#) [1-21030-1](#) [12041254](#) [12041318](#) [12047946-B](#) [12110546-B](#) [12131792](#) [12084688](#) [12092346](#) [HD34-18-14PT](#)
[HD46-24-23SN-059](#) [HDB36-24-16PN-059](#) [HDP26-24-9SE-L015](#) [12185280](#) [12185550](#) [12336-12](#) [12191172-B](#) [12S](#) [13545280](#) [13577943](#)
[13681974](#) [13737722-B](#) [13830674](#) [13832576](#) [13849772](#) [13542772](#)