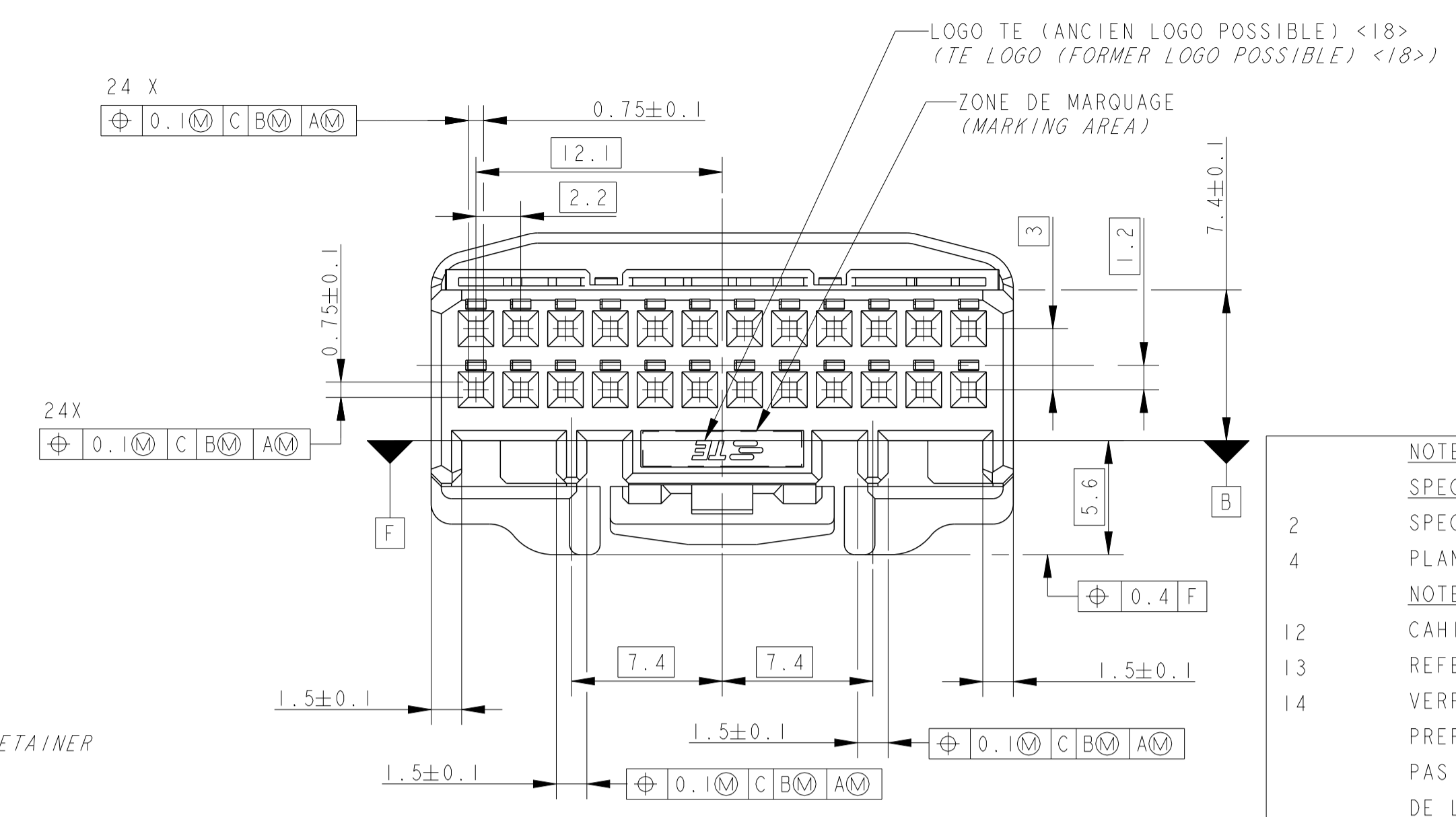
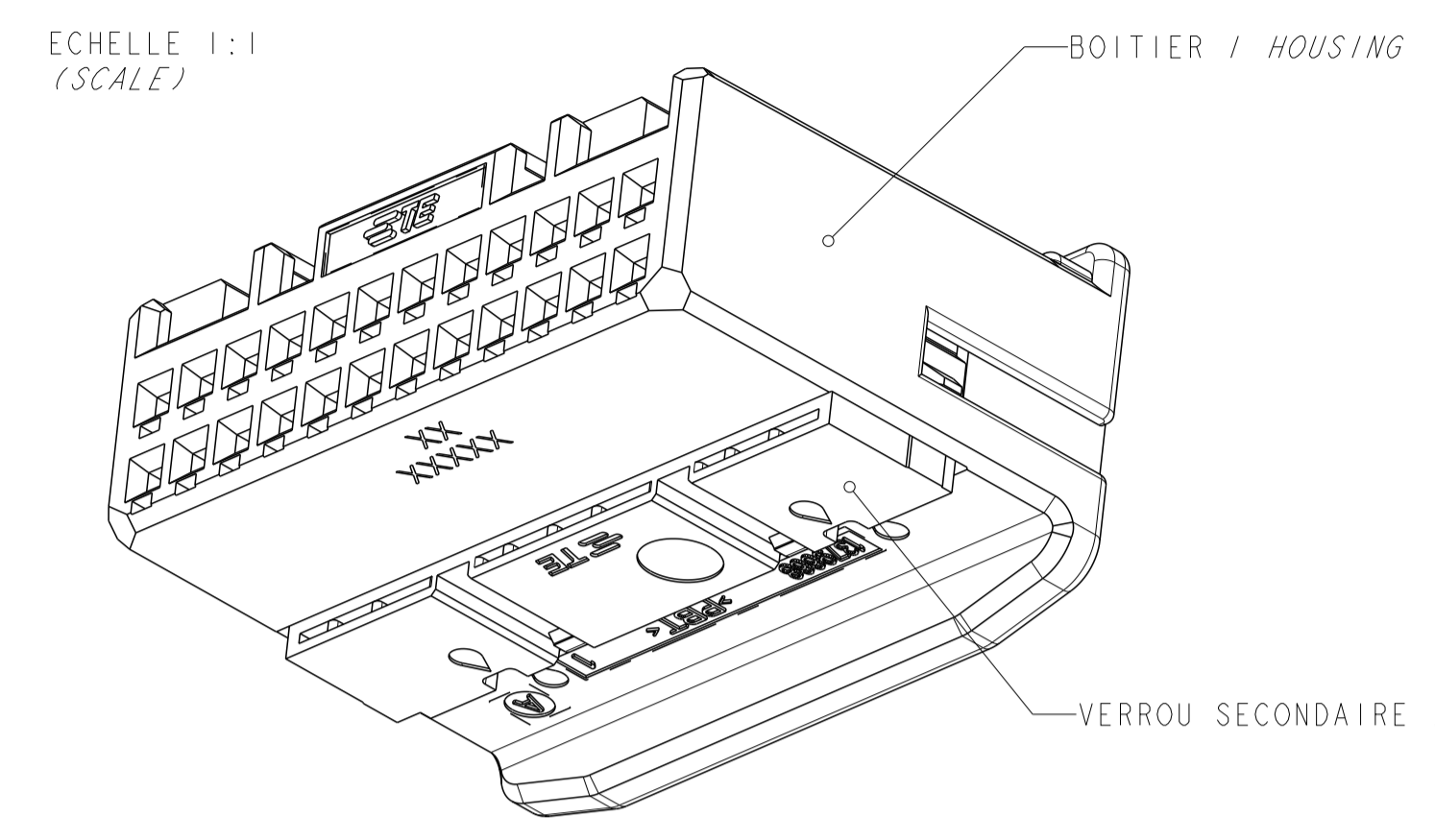
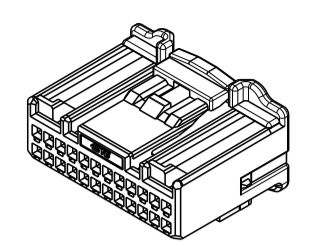


LOC	DIST	REVISIONS						
F	00	P	LTN	REV	DESCRIPTION MODIFICATIONS	DATE	DWN	APP
		H			UPDATE ASSEMBLY REVISION CODE WITHOUT DESIGN CHANGE	23OCT2013	DB	JPP
		J			CHANGE PROCESS OF ASSEMBLY TRACEABILITY	30OCT2015	DB	XR
		K			DRAWING CLARIFICATION FOR MARKINGS	16FEB2017	DB	XR
		L			GREEN CODING ADDED	4NOV2020	HY	XR



NOTES : LES NOTES LOCALES SONT ENTRE <->

SPECIFICATIONS DE REFERENCE :

2 SPECIFICATION TE : 108-15299

4 PLAN D'INTERFACE TE 1379778

NOTES COMPLEMENTAIRES

12 CAHIER DE PRECONISATION : 411-15672

13 REFERENCE REPRESENTEE : 1379668-1

14 VERROU SECONDAIRE PREVERROUILLE (POSITION PREFERENTIELLE DE LIVRAISON). SI LE VERROU N'EST PAS DANS CETTE POSITION, SUIVRE LES INSTRUCTIONS DE LA NOTICE TECHNIQUE TE 411-15672 §8.2

15 LES DIFFERENTES VERSIONS SONT LIVREES DE FACON ALEATOIRE

16 PAS DE MARQUAGE POUR LES PIECES DIRECTEMENT ASSEMBLEES APRES MOULAGE

17 ALLEGEMENTS ET FORMES COSMETIQUES PEUVENT DIFFERER D'UN MOULE A L'AUTRE

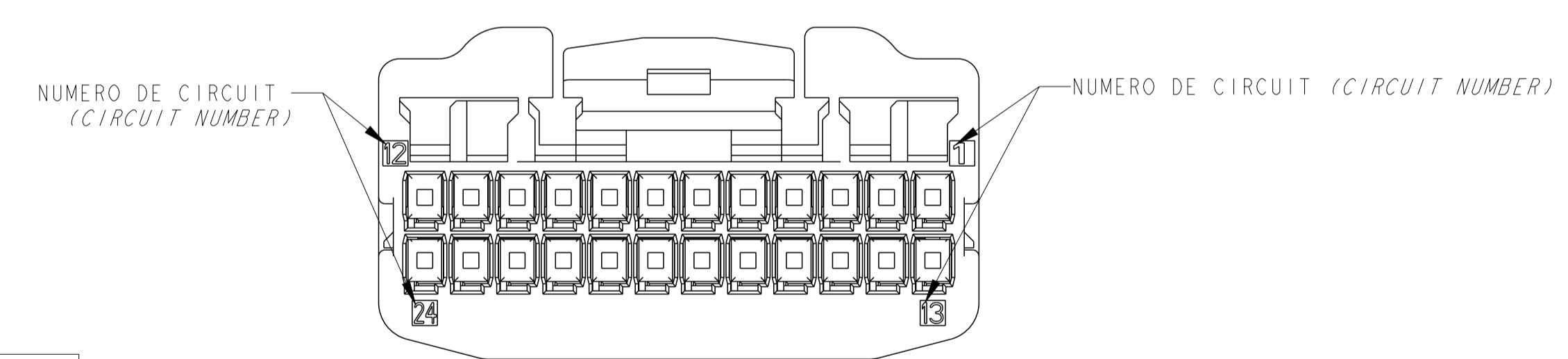
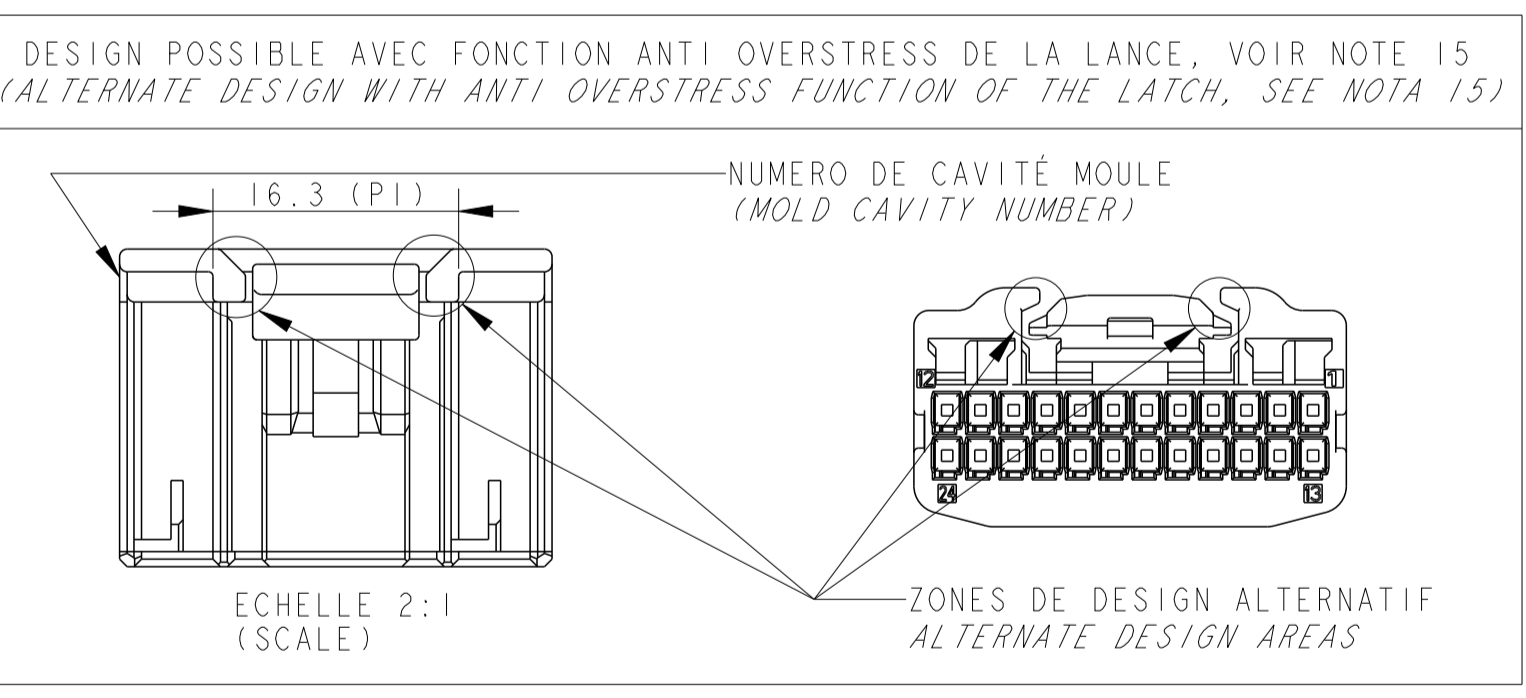
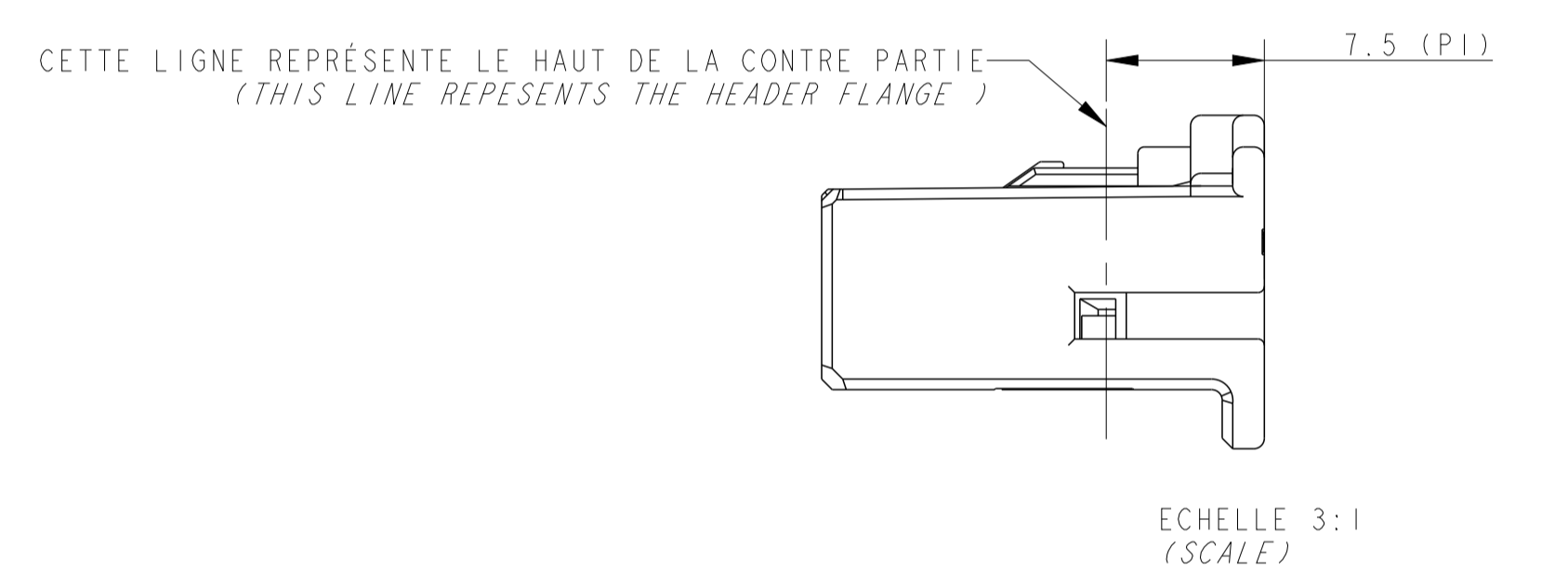
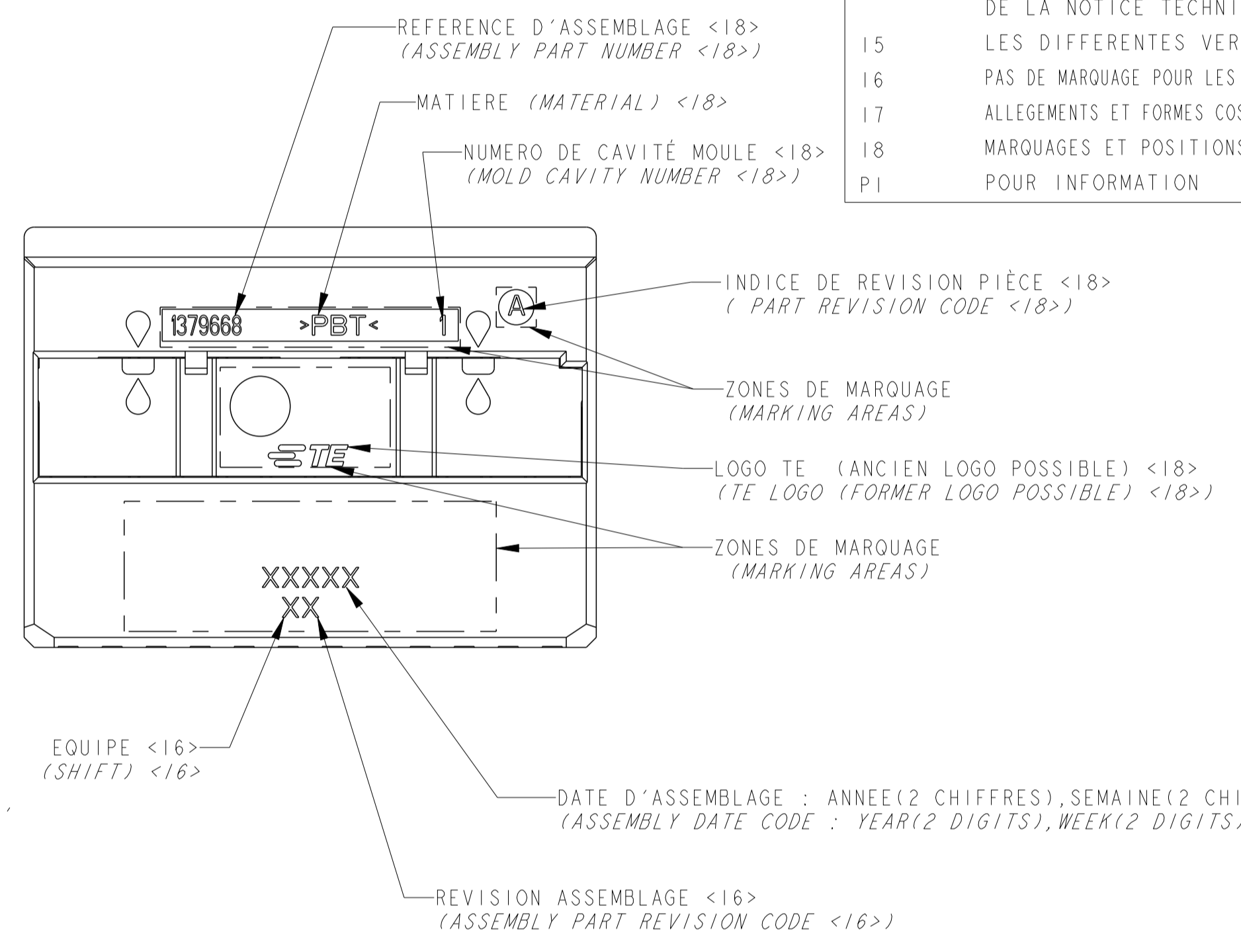
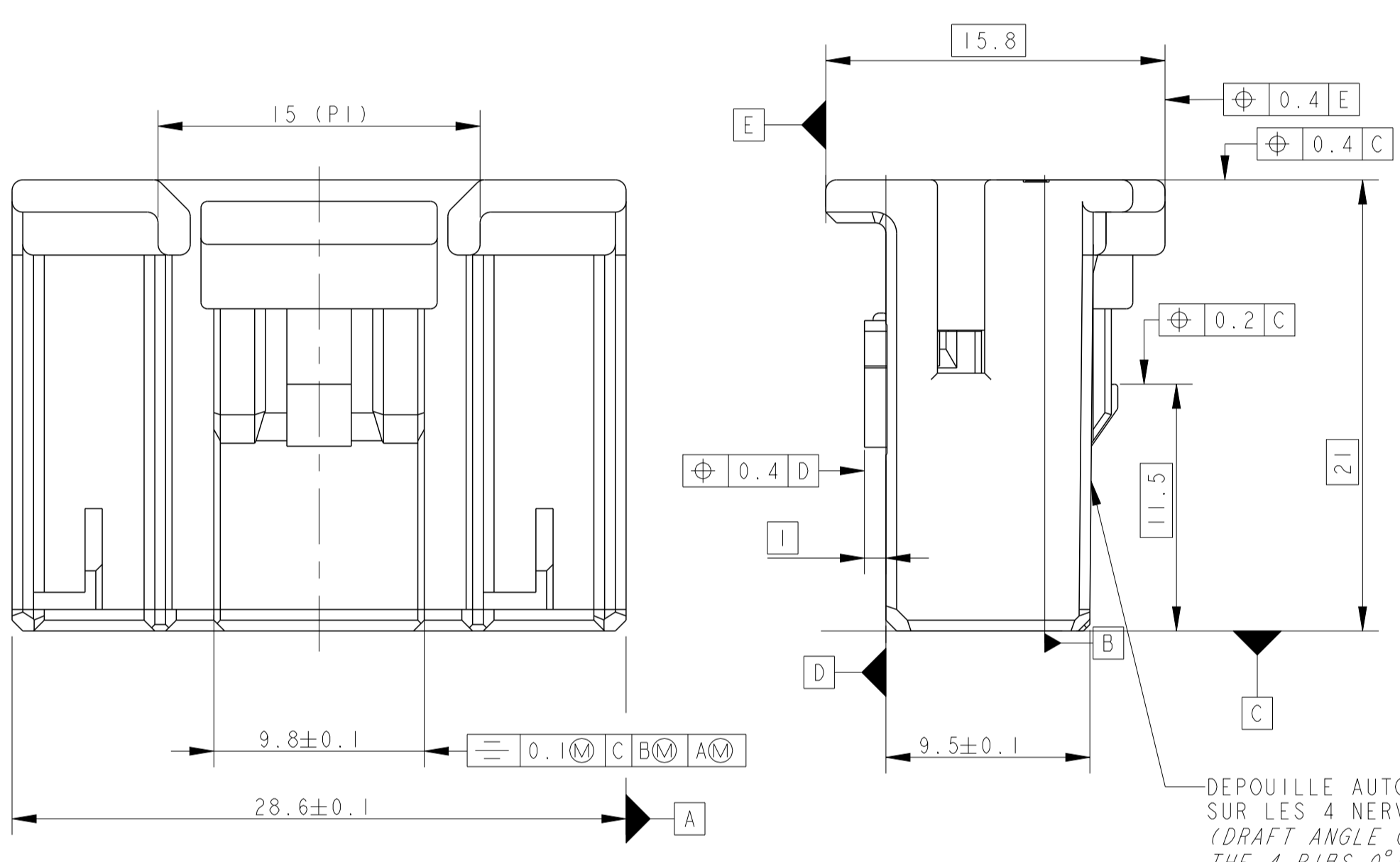
18 MARQUAGES ET POSITIONS PEUVENT DIFFERER D'UN MOULE A L'AUTRE

P1 POUR INFORMATION

APPLICABLE SPECIFICATION :
TE SPECIFICATION (SEE BEFORE)
TE INTERFACE DRAWING (SEE BEFORE)

ADDITIONAL NOTES :
INSTRUCTION SHEET : (SEE BEFORE)
PART NUMBER SHOWN (SEE BEFORE)
SECONDARY LOCK IN PRELOCKED POSITION (PREFERRED DELIVERY POSITION). IF SECONDARY LOCKING IS NOT IN THIS POSITION, FOLLOW INSTRUCTIONS OF TE SPECIFICATION 411-15672 §8.2

THE DIFFERENT VERSIONS ARE DELIVERED SO RANDOM
NO MARKING REQUIRED FOR THE PART MOLDING WITH DIRECT ASSEMBLY
LIGHTENINGS (DIMENSION & LOCATION), COSMETIC SHAPES CAN DIFFER FROM ONE MOLD TO ANOTHER
MARKING TYPE & LOCATION CAN DIFFER FROM ONE MOLD TO ANOTHER
FOR REFERENCE ONLY



CONTACTS ASSOCIES LISTE NON EXHAUSTIVE (APPLIED CONTACTS NON EXHAUSTIVE LIST)

REF TE (TE PN)	FINITION (FINISH)	DESIGNATION (DESIGNATION)
1123343-2	DORE (0.38µm) / GOLDED (0.38µm)	CLIP .635 (.635 CONTACT) 0.35 A 0.5 MM ² (SOMM)
1801069-2	DORE (0.8µm) / GOLDED (0.8µm)	CLIP .635 (.635 CONTACT) 0.35 A 0.5 MM ² (SOMM)
1674298-1	ETAME (TINNED)	CLIP .635 (.635 CONTACT) 0.35 A 0.5 MM ² (SOMM)

REF TE / TE PN	DESCRIPTION / DESCRIPTION	CODAGE / KEYING	MATIERE BOITIER - MATIERE VERROU SECONDAIRE / HOUSING MATERIAL - RETAINER MATERIAL	COULEUR BOITIER - COULEUR VERROU SECONDAIRE / HOUSING COLOR - RETAINER COLOR	REVISION ASSEMBLAGE / ASSEMBLY REVISION CODE
1379668-5	CONNECTEUR 24 VOIES / 24 WAYS CONNECTOR	NEUTRE / NEUTRAL	PBT-PBT / PBT-PBT	NATUREL-NATUREL / NATURAL-NATURAL	F
1379668-4	CONNECTEUR 24 VOIES / 24 WAYS CONNECTOR	4 / 4	PBT-PBT / PBT-PBT	VERT-NATUREL / GREEN-NATURAL	F
1379668-2	CONNECTEUR 24 VOIES / 24 WAYS CONNECTOR	2 / 2	PBT-PBT / PBT-PBT	GRIS-NATUREL / GREY-NATURAL	F
1379668-1	CONNECTEUR 24 VOIES / 24 WAYS CONNECTOR	1 / 1	PBT-PBT / PBT-PBT	NOIR-NATUREL / BLACK-NATURAL	F

THIS DRAWING IS A CONTROLLED DOCUMENT. CE PLAN EST UN DOCUMENT CONTROLÉ PAR TISSOT ELECTRONICS. IL EST SPECIFIQUE D'UN PRODUIT. CONTACTER LE SERVICE TECHNIQUE DE TISSOT ELECTRONICS POUR OBTENIR LA DERNIERE REVISION.

DIMENSIONS: mm

TOLERANCES UNLESS OTHERWISE SPECIFIED: (SUIVRE LE DECEMALES):
 0 P.L.C./DEC: ±0.2
 1 P.L.C./DEC: ±0.2
 2 P.L.C./DEC: ±0.2
 3 P.L.C./DEC: ±0.2
 4 P.L.C./DEC: ±0.2
 ANGLES: ±5°

FINISH / FINITION: N/A

OWN / RESINE: 01OCT2002
 B. DUPONT
 CH. PEREYRE 01OTC2002
 JP. PICAUD

APVD / APPROUVE: 01OCT2002
 JP. PICAUD
 PRODUCT SPEC: SEE TABLE
 SPEC. PRODUCT: SEE TABLE
 APPLICATION SPEC: SEE TABLE
 SPEC. APPLICATION: SEE TABLE

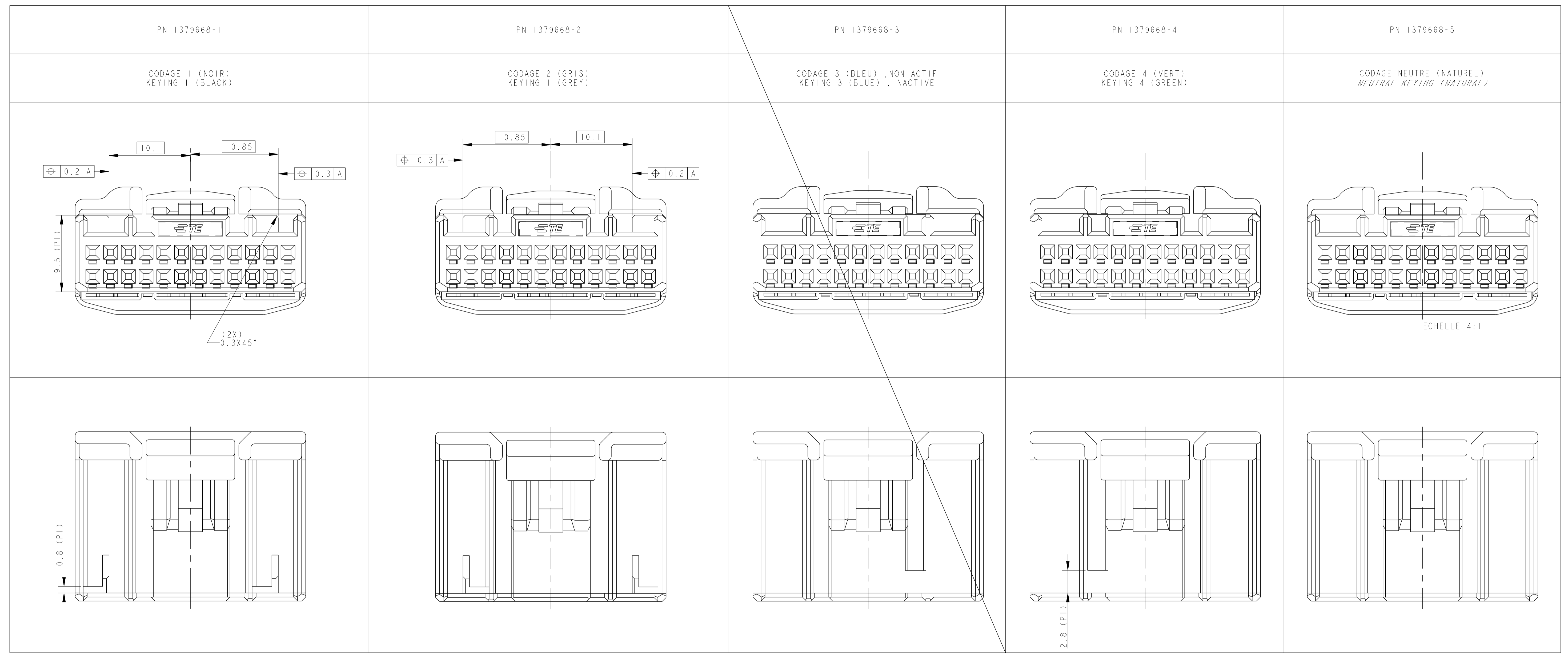
NAME: 025 TH 24 POS PLUG HOUSING

SIZE: A1
 CAGE CODE: 00779
 DRAWING NO: 1379668

RESTRICTED TO RESERVE A

Customer Drawing / PLAN CLIENT UNIFORMEMENT POUR REFERENCE
 SCALE: 4:1
 SHEET: 1 OF 2
 REV: L

LOC	DIST	REVISIONS					
F	00	P	LTN	DESCRIPTION	DATE	DWN	APVD
		REV		MODIFICATIONS		DESS.	APP.
		-		SEE SHEET 1		-	-



THIS DRAWING IS A CONTROLLED DOCUMENT. CE PLAN EST UN DOCUMENT CONTRÔLÉ PAR TUXO ELECTRONICS - IL EST SUSCEPTIBLE DE ÊTRE TENU EN COMPTER LE SERVICE TECHNIQUE DE TUXO ELECTRONICS POUR OBTENIR LA DERNIÈRE DÉLIVRÉE.		DWN / PRESSION: 01OCT2002 B. DUPONT CHK. / REVUE: 01OCT2002 JP. PICAUD		NAME: 025 TH 24 POS PLUG HOUSING			
DIMENSIONS: mm 		TOLERANCES UNLESS OTHERWISE SPECIFIED: (S'ILY A DE DÉCIMALES): 0 P.L.C./DEC: ±0.2 1 P.L.C./DEC: ±0.2 2 P.L.C./DEC: ±0.2 3 P.L.C./DEC: ±0.2 4 P.L.C./DEC: ±0.2 ANGLES: ±5° FINISH / FINITION: N°A		APVD / APPROUVÉ: 01OCT2002 JP. PICAUD PRODUCT SPEC: SEE TABLE SPEC. PRODUCT: SEE TABLE APPLICATION SPEC: SEE TABLE SPEC. APPLICATION: SEE TABLE WEIGHT: - MASSE APPROX.: -		SIZE / FORMAT: A1 CAGE CODE: 1379668 DRAWING NO: 1379668 IN PLAN: N°A RESTRICTED TO RESERVE A: -	
MATERIAL / MATIÈRE: SEE TABLE		CUSTOMER DRAWING / PLAN CLIENT		SCALE: 4:1 SHEET: 2 OF 2 REV: L			

X-ON Electronics

Largest Supplier of Electrical and Electronic Components

Click to view similar products for [Automotive Connectors](#) category:

Click to view products by [TE Connectivity](#) manufacturer:

Other Similar products are found below :

[003-018-000](#) [60993906-B](#) [M902-2131](#) [M902-2161](#) [M902-2344](#) [72.330.1035.1](#) [73.353.4028.0](#) [F166900](#) [F358300-B](#) [F407400](#) [776880-1](#)
[827153-1](#) [8N1515-32-24P](#) [9-1326729-8](#) [925474-1](#) [928905-1](#) [964562-4](#) [968782-1](#) [98891-1012](#) [12004475-L](#) [12020308](#) [12041318-B](#)
[12052466](#) [12064869](#) [12015909](#) [1-21030-1](#) [12041254](#) [12041318](#) [12047946-B](#) [12047957](#) [12110546-B](#) [12131792](#) [12092346](#) [HD34-18-14PT](#)
[HD46-24-23SN-059](#) [HDB36-24-16PN-059](#) [HDP26-24-9SE-L015](#) [12185280](#) [12185550](#) [12336-12](#) [12147304](#) [12191172-B](#) [12S](#) [13545280](#)
[13577943](#) [13681974](#) [13737722-B](#) [13755420](#) [13783086](#) [13830674](#)