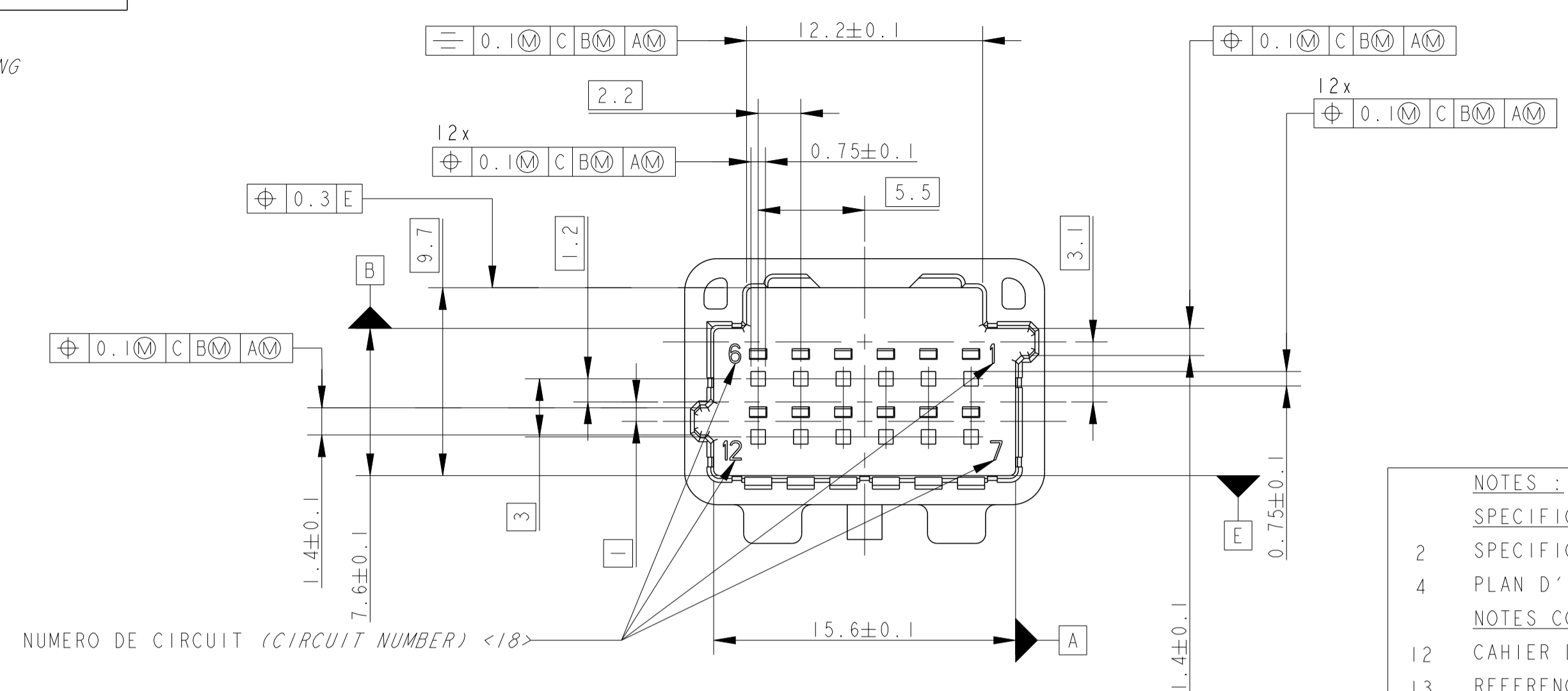
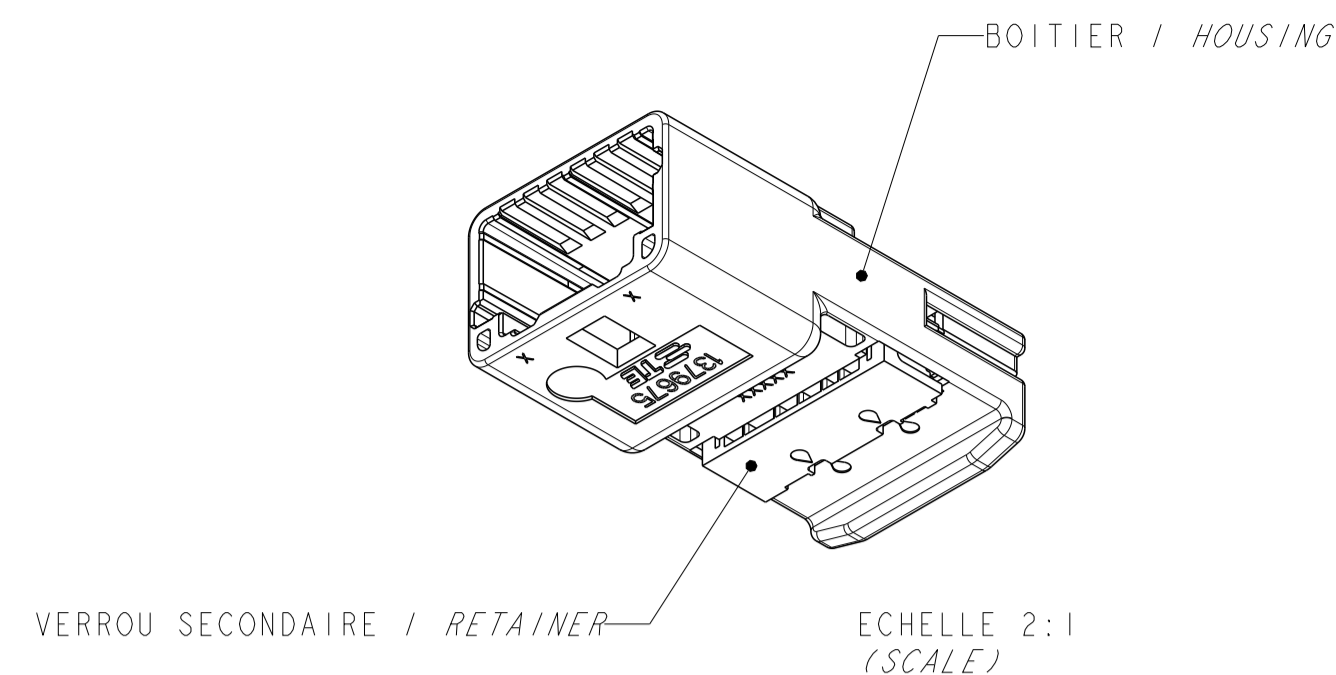


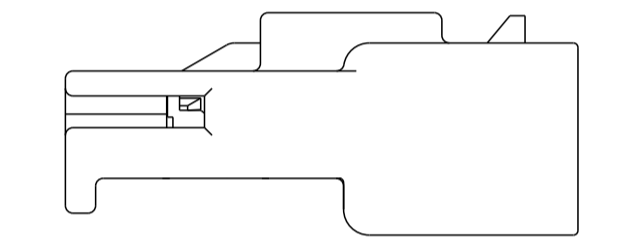
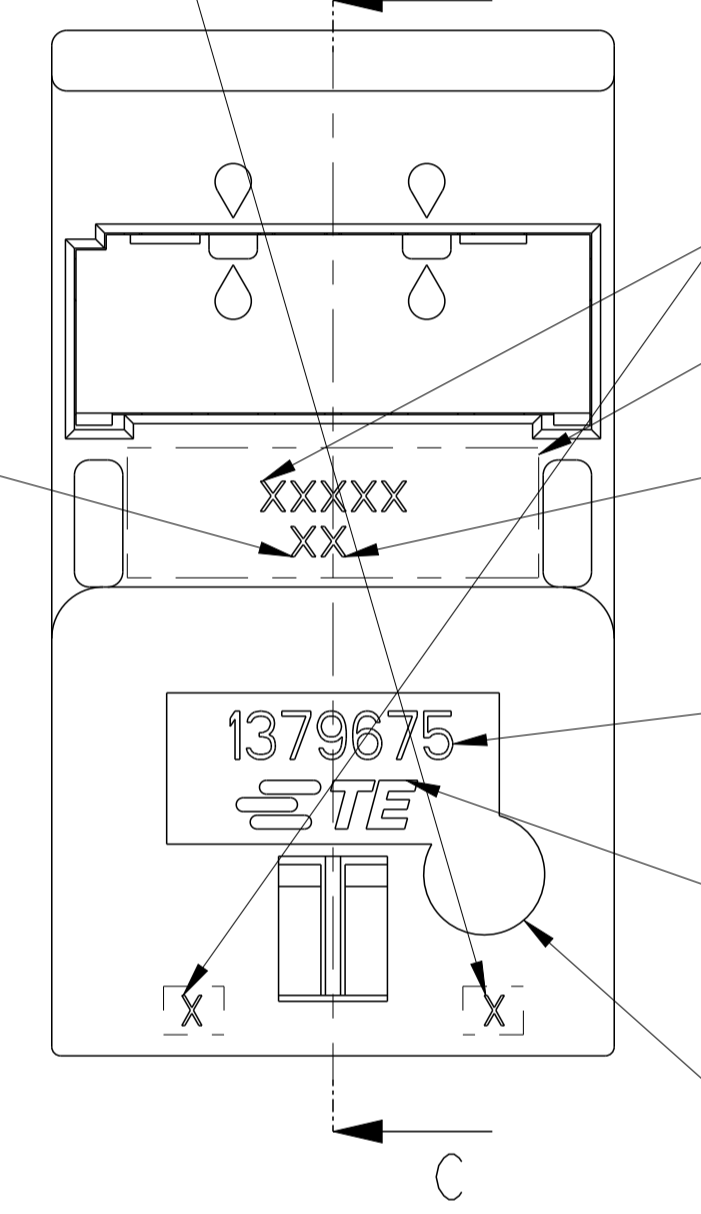
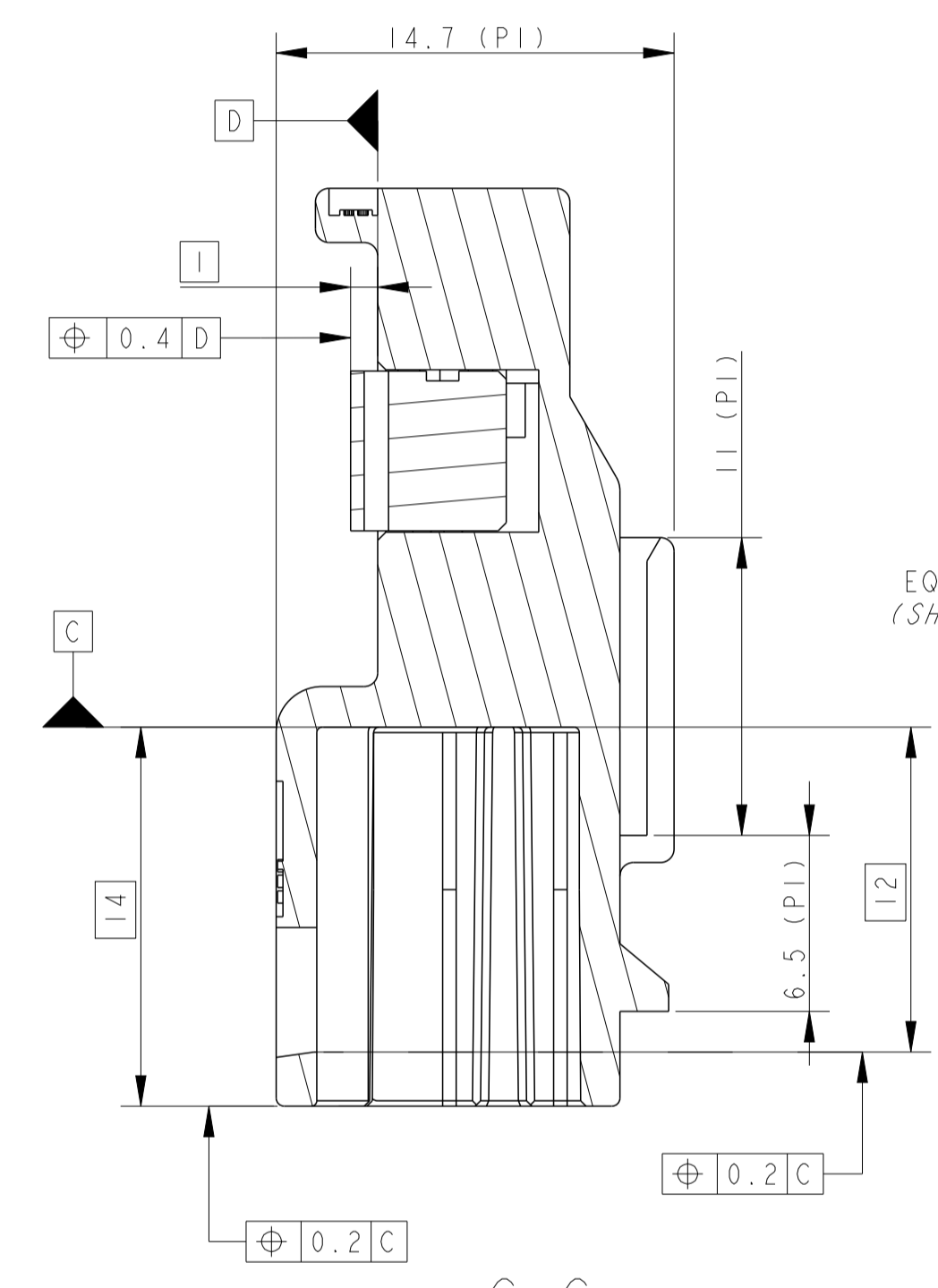
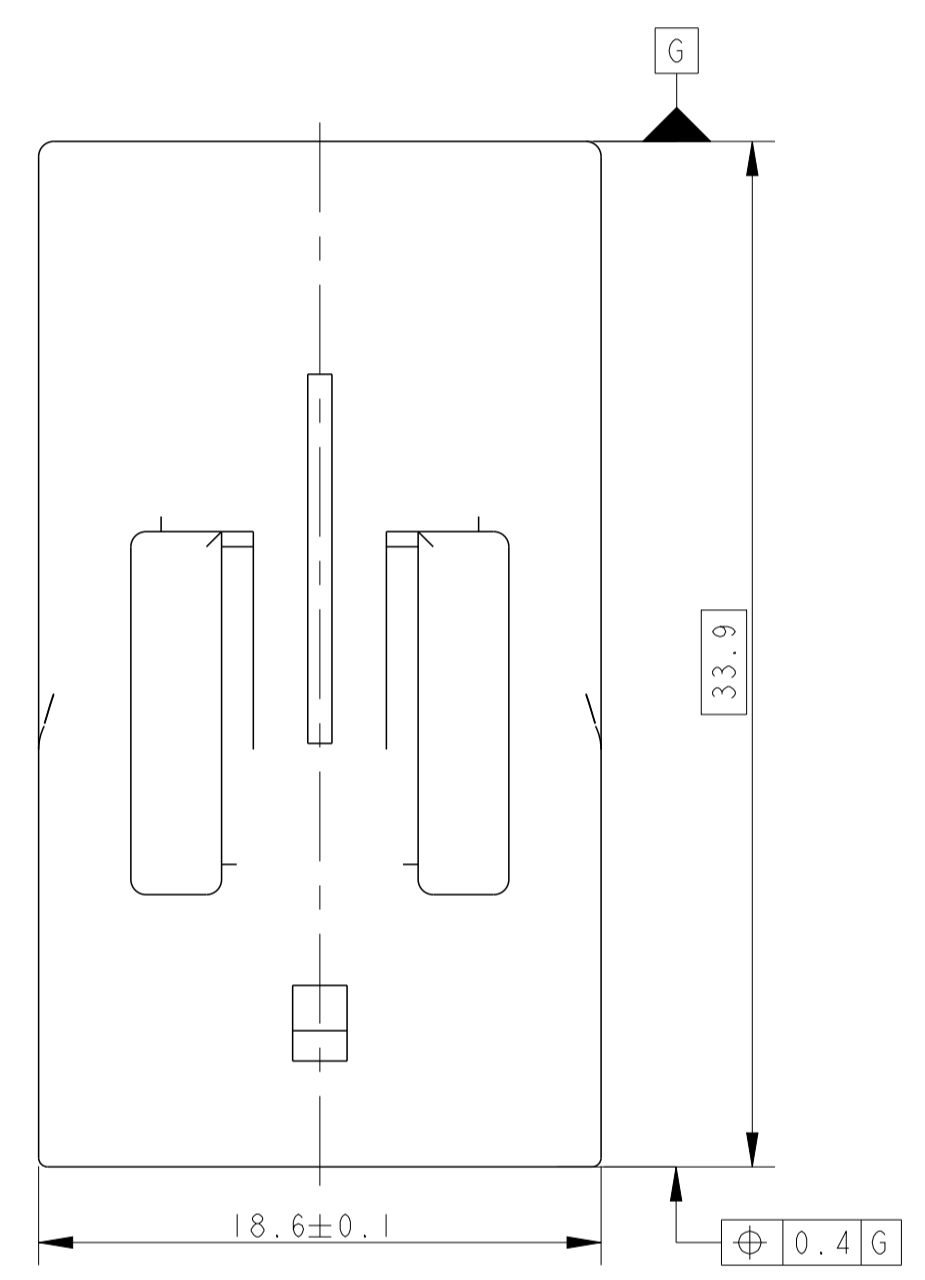
| LOC | DIST | REVISIONS |     |     |   |           |     |      |
|-----|------|-----------|-----|-----|---|-----------|-----|------|
| F   | 00   | P         | LTN | REV | DESCRIPTION                             | DATE      | DWN | APPV |
|     |      | A         |     |     | AJOUT DE NOUVELLES REFERENCES           | 11AUG2011 | PB  | JPP  |
|     |      | B         |     |     | CORRECTION OF VUES FOR CODING -3 AND -4 | 31JUL2013 | DB  | JPP  |
|     |      | C         |     |     | TRACEABILITY UPDATED FOR 2K PROCESS     | 15MAY2018 | DB  | XR   |



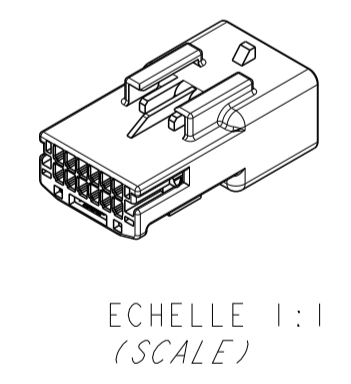
NOTES : LES NOTES LOCALES SONT ENTRE <->  
 SPECIFICATIONS DE REFERENCE :  
 2 SPECIFICATION TE : 108-15299  
 4 PLAN D'INTERFACE TE : 1379776  
 NOTES COMPLEMENTAIRES :  
 12 CAHIER DE PRECONISATION : 411-15672  
 13 REFERENCE REPRESENTEE : 1379675-1  
 14 VERRU SECONDAIRE PREFERROUILLE (POSITION PREFERENTIELLE DE LIVRAISON). SI LE VERRU N'EST PAS DANS CETTE POSITION, SUIVRE LES INSTRUCTIONS DE LA NOTICE TECHNIQUE TE 411-15672 §8.2  
 16 PAS DE MARQUAGE POUR LES PIECES DIRECTEMENT ASSEMBLEES APRES MOULAGE  
 17 ALLEGEMENTS ET FORMES COSMETIQUES PEUVENT DIFFERER D'UN MOULE A L'AUTRE  
 18 MARQUAGES ET POSITIONS PEUVENT DIFFERER D'UN MOULE A L'AUTRE  
 P1 POUR INFORMATION

LOCALE NOTES ARE BETWEEN <->  
 APPLICABLE SPECIFICATION :  
 TE SPECIFICATION (SEE BEFORE)  
 TE INTERFACE DRAWING (SEE BEFORE)  
 ADDITIONAL NOTES :  
 INSTRUCTION SHEET : (SEE BEFORE)  
 PART NUMBER SHOWN (SEE BEFORE)  
 SECONDARY LOCK IN PRELOCKED POSITION (PREFERED DELIVERY POSITION). IF SECONDARY LOCKING IS NOT IN THIS POSITION, FOLLOW INSTRUCTIONS OF TE SPECIFICATION 411-15672 §8.2  
 NO MARKING REQUIRED FOR THE PART MOLDING WITH DIRECT ASSEMBLY  
 LIGHTENINGS (DIMENSION & LOCATION), COSMETIC SHAPES CAN DIFFER FROM ONE MOLD TO ANOTHER  
 MARKING TYPE & LOCATION CAN DIFFER FROM ONE MOLD TO ANOTHER FOR REFERENCE ONLY

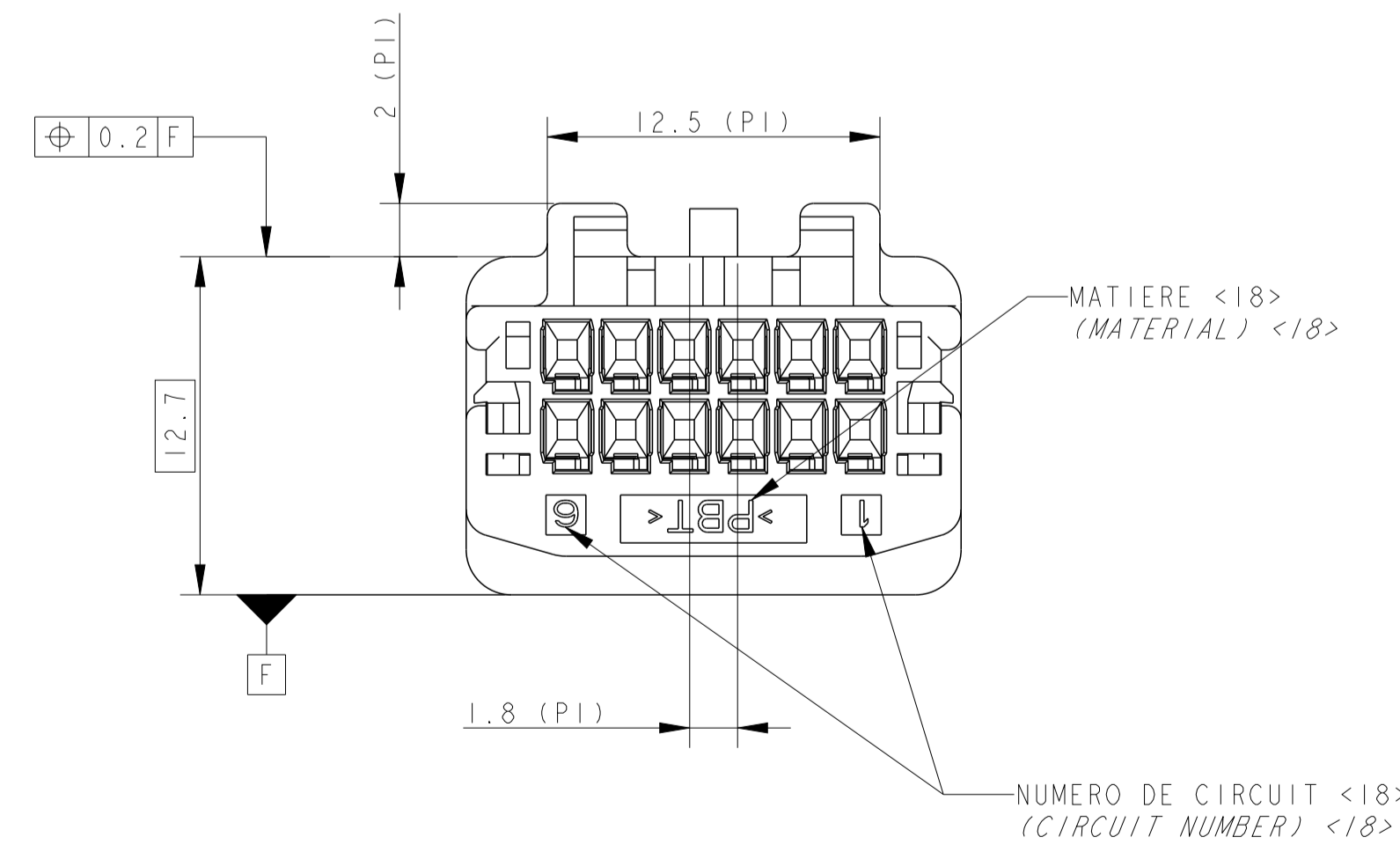
NUMERO DE CIRCUIT (CIRCUIT NUMBER) <18>  
 INDICE REVISION BOITIER <18> (HOUSING PART REVISION CODE) <18>  
 NUMERO DE CAVITE MOULE BOITIER <18> (HOUSING MOLD CAVITY NUMBER) <18>



ECHELLE 2:1 (SCALE)  
 VERRU SECONDAIRE EN POSITION VERRUILLE (SECONDARY LOCKING IN CLOSED POSITION)



ECHELLE 1:1 (SCALE)



| CONTACTS ASSOCIES (APPLIED CONTACTS) |                   |   |
|--------------------------------------|-------------------|---|
| REF TE (TE PN)                       | FINITION (FINISH) | DESIGNATION (DESIGNATION)                                   |
| 1674742-1                            | ETAME (TINNED)    | LANGUETTE .635 (.635 TAB) 0.35 A 0.5 MM <sup>2</sup> (SOMM) |

| 1379675-5      | CONNECTEUR 12 VOIES / 12 WAY CONNECTOR | 5               | PBT-PBT / PBT-PBT   | NATUREL-NATUREL / NATURAL-NATURAL   | A  |
|----------------|--|-----------------|---|---|--|
| 1379675-4      | CONNECTEUR 12 VOIES / 12 WAY CONNECTOR | 4               | PBT-PBT / PBT-PBT   | VERT-NATUREL / GREEN-NATURAL  | A  |
| 1379675-3      | CONNECTEUR 12 VOIES / 12 WAY CONNECTOR | 3               | PBT-PBT / PBT-PBT   | BLEU-NATUREL / BLUE-NATURAL   | A  |
| 1379675-2      | CONNECTEUR 12 VOIES / 12 WAY CONNECTOR | 2               | PBT-PBT / PBT-PBT   | GRIS-NATUREL / GREY-NATURAL   | A  |
| 1379675-1      | CONNECTEUR 12 VOIES / 12 WAY CONNECTOR | 1               | PBT-PBT / PBT-PBT   | NOIR-NATUREL / BLACK-NATURAL  | A  |
| REF TE / TE PN | DESCRIPTION / DESCRIPTION              | CODAGE / KEYING | MATIERE BOITIER - MATIERE VERRU SECONDAIRE / HOUSING MATERIAL - RETAINER MATERIAL | COULEUR BOITIER - COULEUR VERRU SECONDAIRE / HOUSING COLOR - RETAINER COLOR | REVISION ASSEMBLAGE / ASSEMBLY REVISION CODE |

THIS DRAWING IS A CONTROLLED DOCUMENT. CE PLAN EST UN DOCUMENT CONTROLÉ PAR STC ELECTRONICS. IL EST SOUSCRIPTIBLE ET TOUTE MODIFICATION DOIT ÊTRE APPRouvÉE PAR LE SERVICE TECHNIQUE DE STC ELECTRONICS POUR OBTENIR LA NOUVELLE VERSION.

DWN / RESSINE: 29OCT2002  
 D. BANCE  
 CHK / PREPTE: 04NOV2002  
 B. DUPONT

APVD / APPROVE: 04NOV2002  
 JP. PICAUD

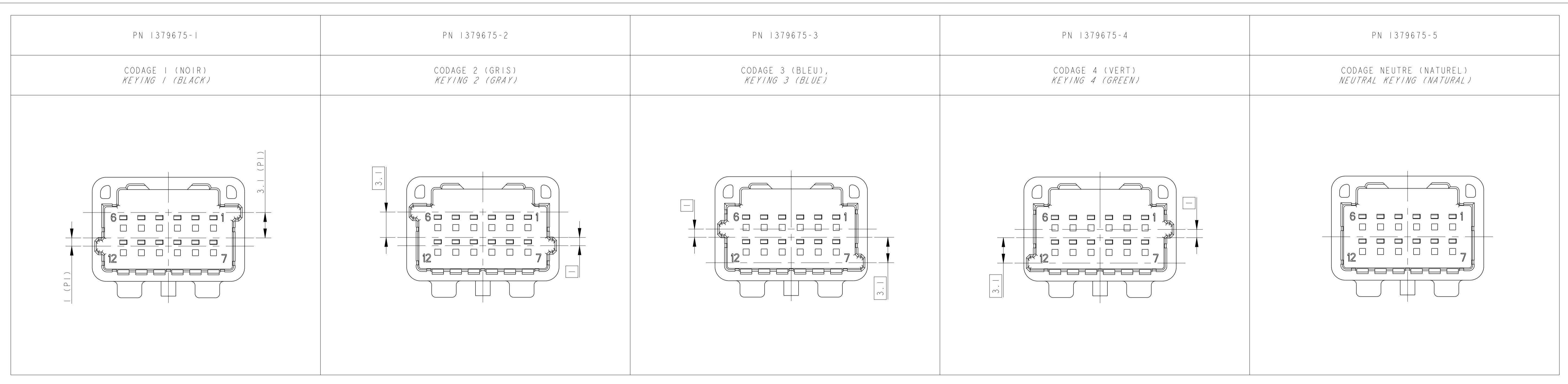
NAME: 025 TH 12 POS TAB HOUSING


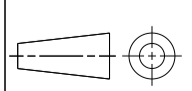
SIZE: A1  
 CAGE CODE: 00779  
 DRAWING NO: 1379675

RESTRICTED TO RESERVE A

Customer Drawing / PLAN CLIENT UNIFORMITÉ POUR REFERENCE  
 SCALE: 4:1 SHEET: 1 OF 2 REV: C

| LOC | DIST | REVISIONS     |      |       |      |
|-----|------|---------------|------|-------|------|
| P   | LTN  | DESCRIPTION   | DATE | DWN   | APVD |
| REV | REV  | MODIFICATIONS |      | DESS. | APP. |
| -   | -    | SEE SHEET 1   | -    | -     | -    |
|     |      |               |      |       |      |
|     |      |               |      |       |      |



|   |   |   |   |
|---|---|---|---|
| THIS DRAWING IS A CONTROLLED DOCUMENT.<br>CE PLAN EST UN DOCUMENT CONTROLÉ PAR TYSO ELECTRONICS - IL EST<br>SOUSCRIPTION À TOUTE MODIFICATION. CONSERVER LE SERVICE TECHNIQUE<br>DE TYSO ELECTRONICS POUR OBTENIR LA DERNIÈRE RÉVISION. |   | DWN / RESSINE: 29OCT2002<br>D. BANCE<br>CHK / RÉVISÉ: 04NOV2002<br>B. DUPONT  |  TE Connectivity   |
| DIMENSIONS:<br>mm<br>  | TOLERANCES UNLESS<br>OTHERWISE SPECIFIED:<br>TOLERANCES NON SPECIFIÉES:<br>(SUIVY NE DE DÉCIMALES):<br>0 P.L.C./DEC. ±<br>1 P.L.C./DEC. ±<br>2 P.L.C./DEC. ±0.2<br>3 P.L.C./DEC. ±<br>4 P.L.C./DEC. ±<br>ANGLES ±5° | APVD / APPROUVÉ: 04NOV2002<br>JP. PICAUD<br>PRODUCT SPEC:<br>SPEC. PRODUCT:<br>SEE TABLE<br>APPLICATION SPEC:<br>SPEC. APPLICATION:<br>SEE TABLE<br>WEIGHT:<br>MASSE APPROX.: - |   |
| MATERIAL / MATIÈRE:<br>SEE TABLE  | FINISH / FINITION:<br>-   | WEIGHT:<br>MASSE APPROX.: -   | Customer Drawing / PLAN CLIENT<br>UNIFORMITY FOUR REFERENCE<br>SCALE: 4:1<br>SHEET OF: 2 DE 2<br>REV: C |

## X-ON Electronics

Largest Supplier of Electrical and Electronic Components

*Click to view similar products for [Automotive Connectors](#) category:*

*Click to view products by [TE Connectivity](#) manufacturer:*

Other Similar products are found below :

[003-018-000](#) [60403001](#) [60993906-B](#) [M902-2131](#) [M902-2161](#) [M902-2344](#) [72.330.1035.1](#) [73.353.4028.0](#) [F119300-B](#) [F166900](#) [F258300-B](#)  
[F358300-B](#) [F407400](#) [F444110](#) [F487000](#) [F509500B-B](#) [827153-1](#) [8N1515-32-24P](#) [9-1326729-8](#) [925474-1](#) [928905-1](#) [964562-4](#) [968782-1](#)  
[GT17SA-8DS-HU](#) [98891-1012](#) [98947-1016](#) [12004147](#) [12004475-L](#) [12010290](#) [12010309-B](#) [12015454](#) [12020219-B](#) [12041318-B](#) [12052225-](#)  
[L](#) [12052466](#) [12064869](#) [12004327-B](#) [12015308](#) [12015384](#) [12015909](#) [1-21030-1](#) [12041254](#) [12041318](#) [12047946-B](#) [12047957](#) [12047957-L](#)  
[12059473](#) [12066261](#) [12110546](#) [12110546-B](#)