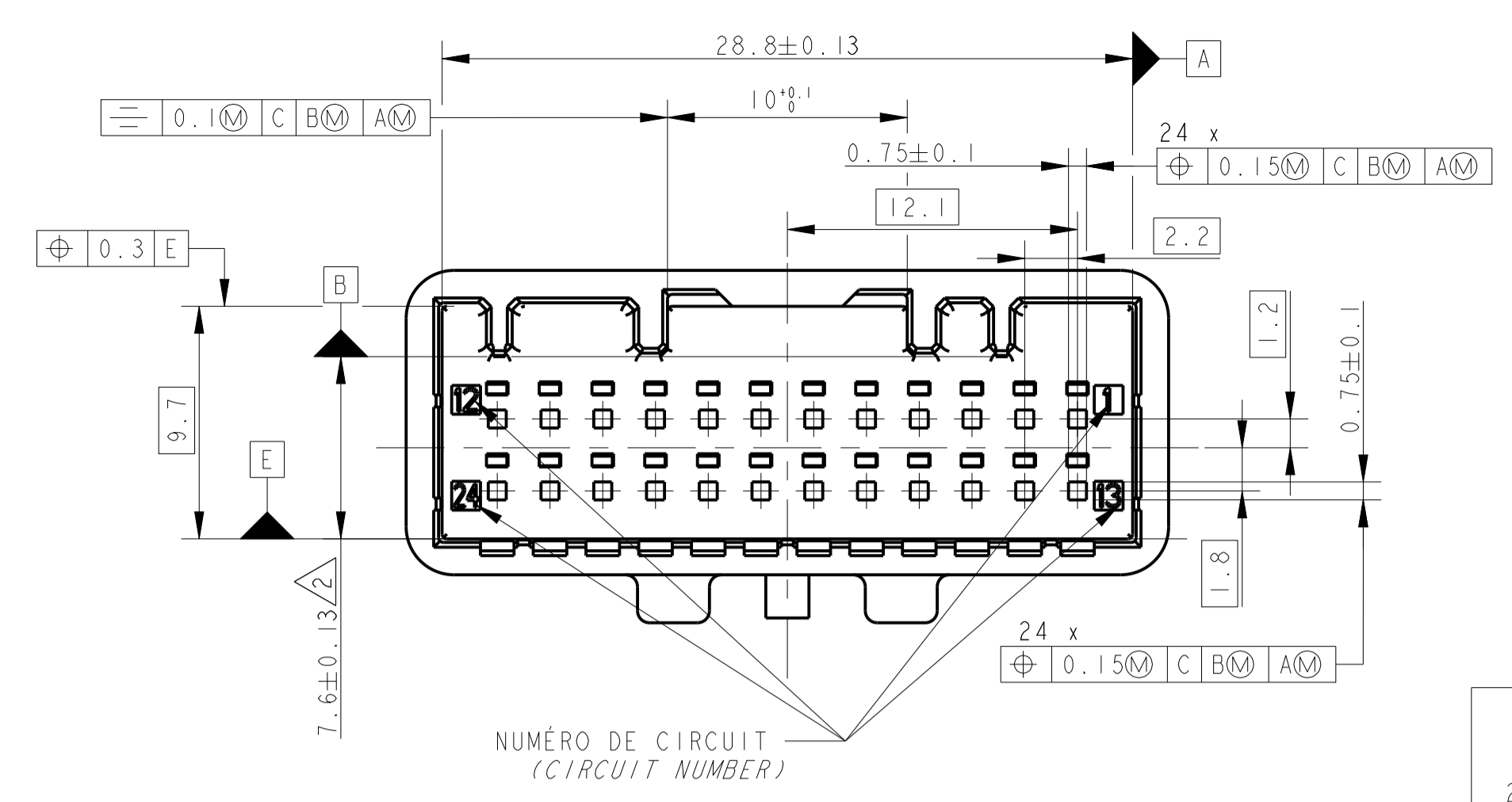
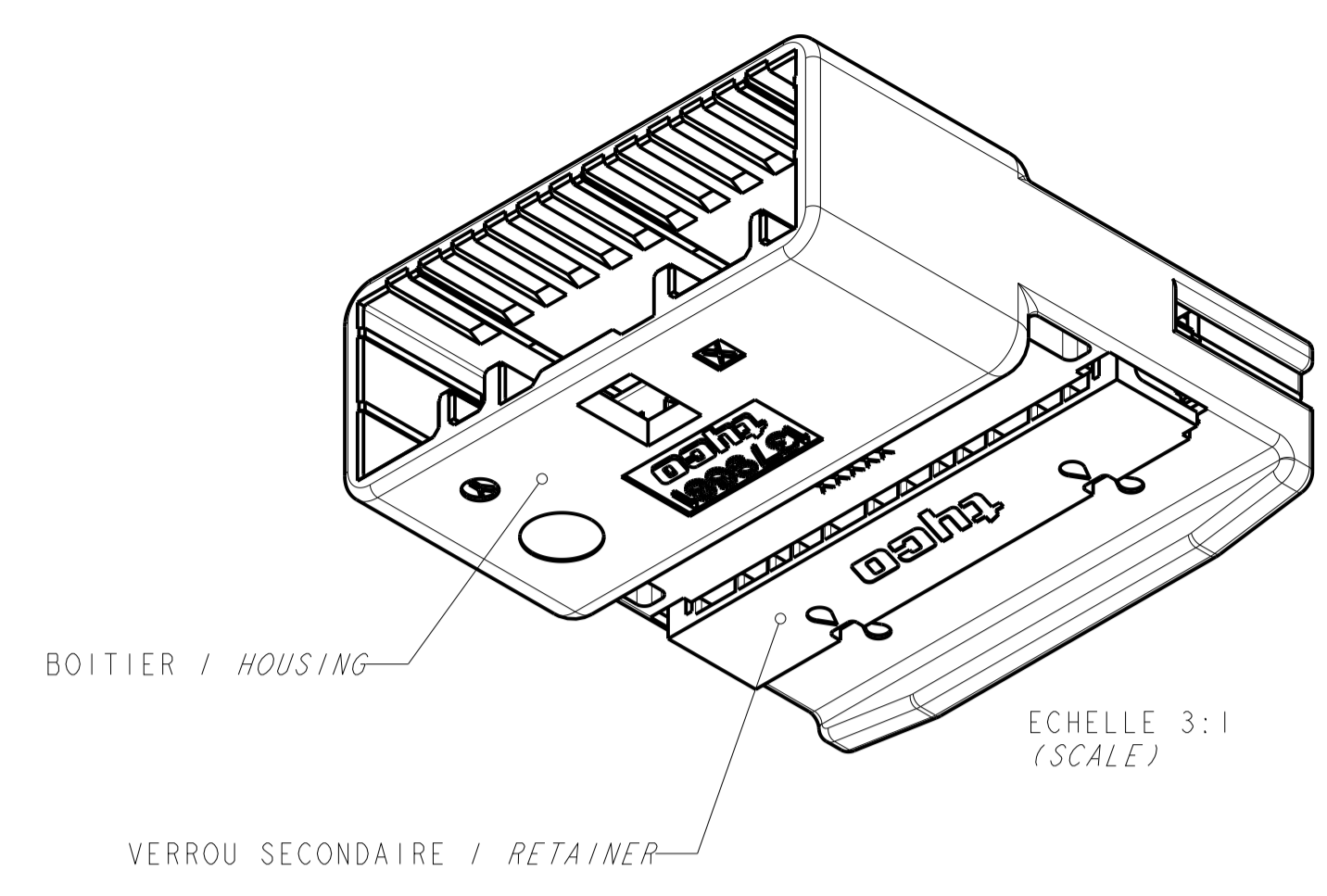
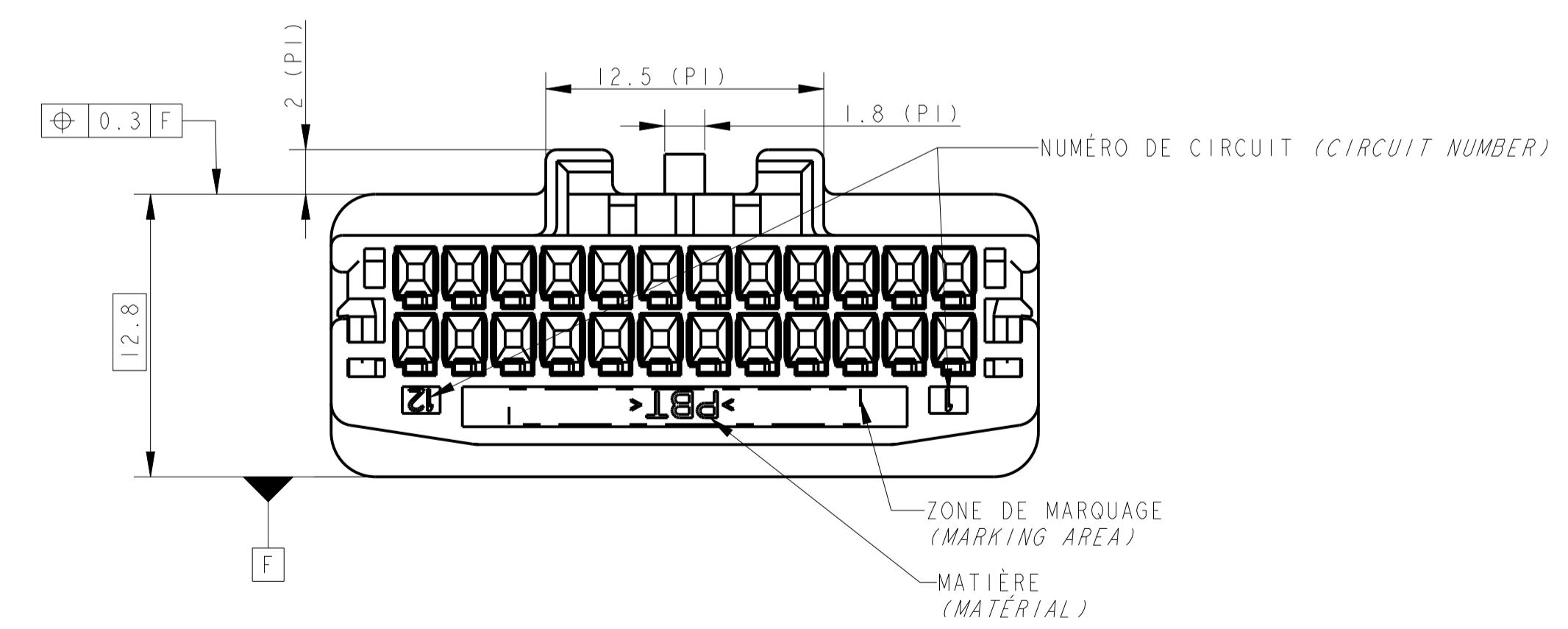
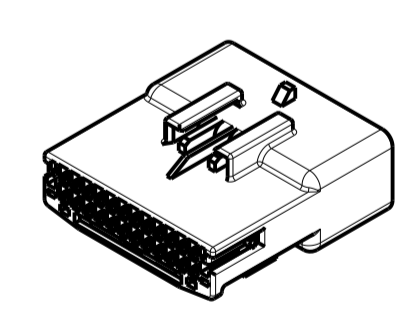
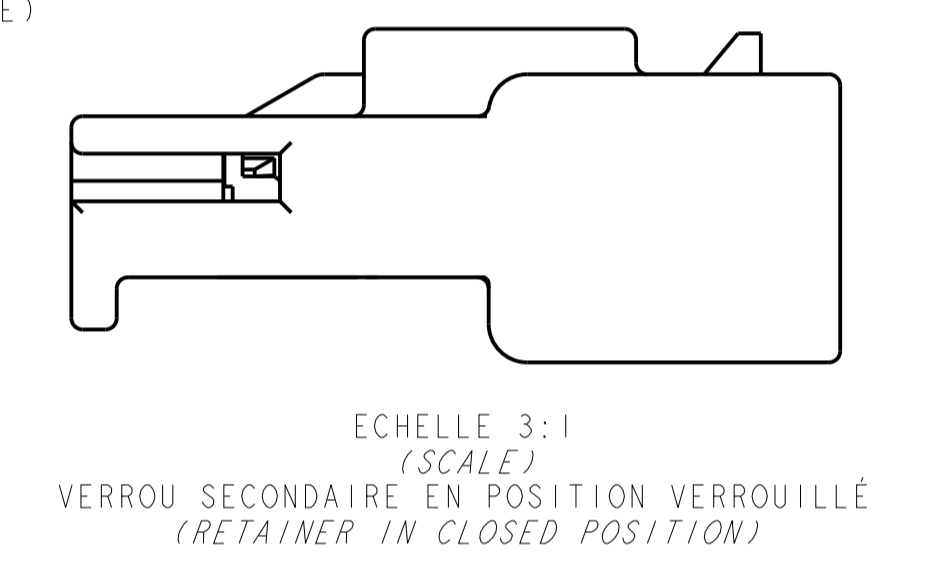
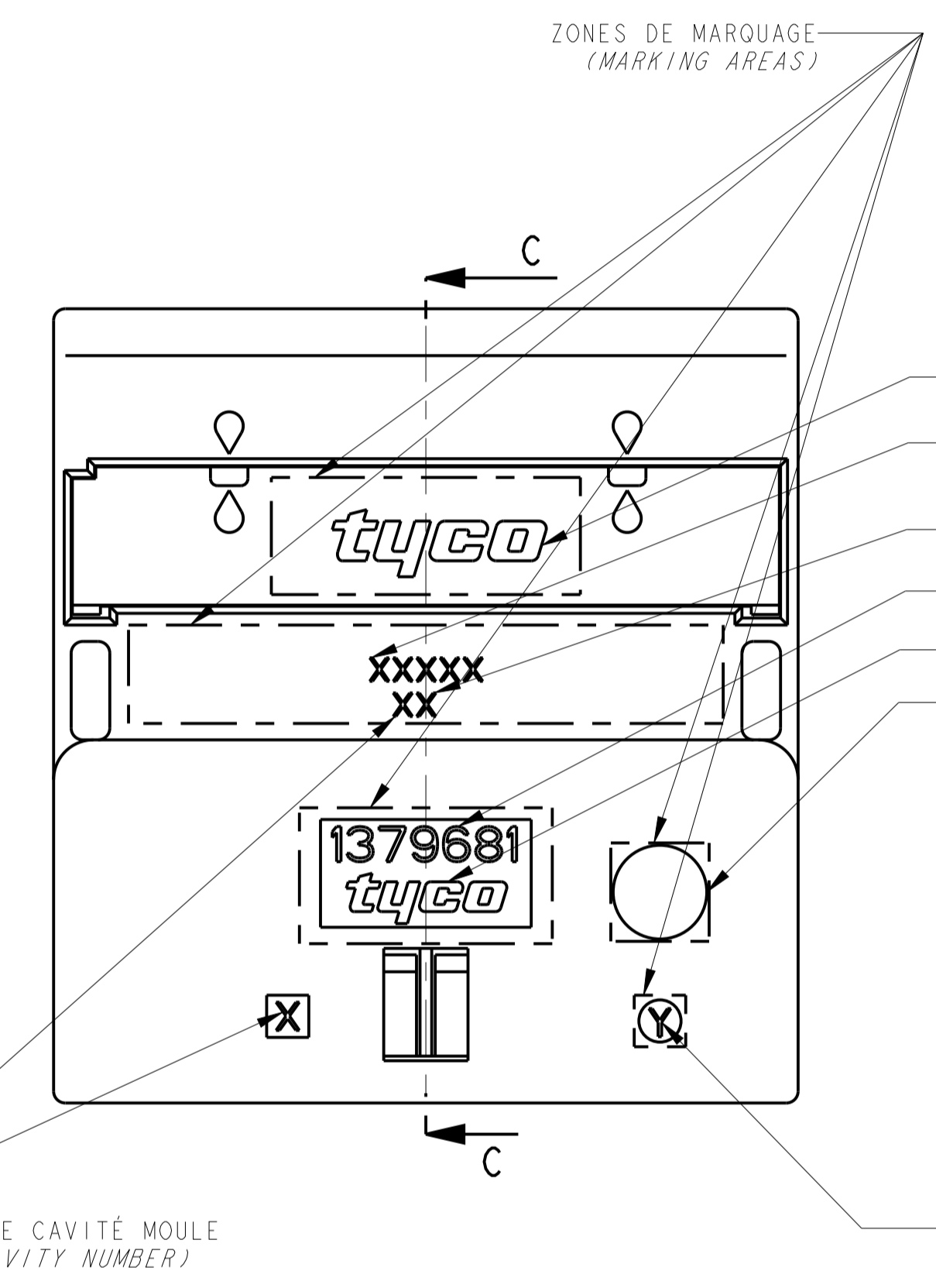
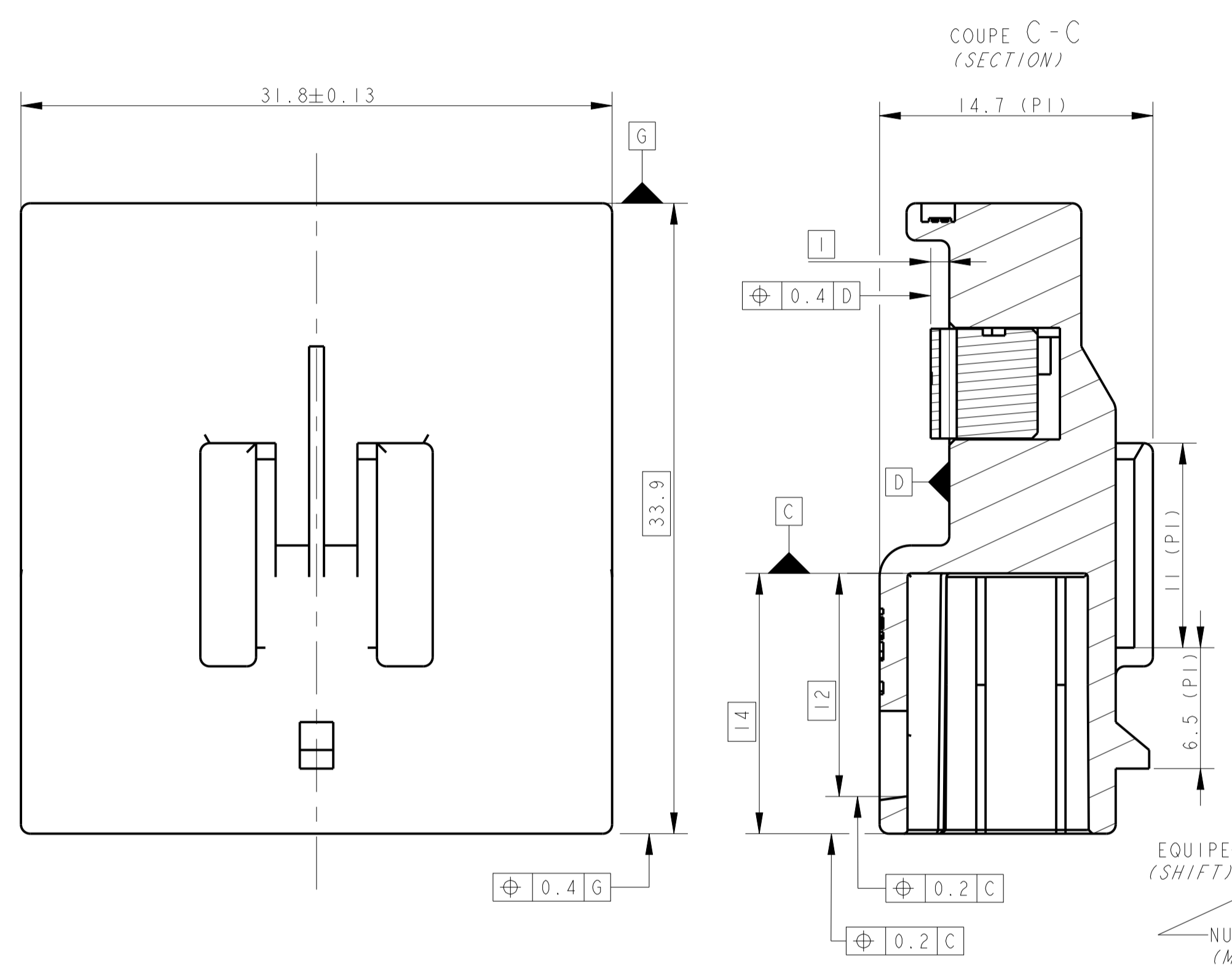


REVISIONS					
P.	LTN	DESCRIPTION	DATE	DWN	APPV
E		UPGRADE ASSEMBLY REVISION WITHOUT CHANGE	06DEC2013	DB	JPP
F		ADD PART NUMBER 1379681-5	04MAR2014	DB	JPP



NOTES : LES NOTES LOCALES SONT ENTRE <->
 SPECIFICATIONS DE REFERENCE :
 2 SPECIFICATION TE : 108-15299
 4 PLAN D'INTERFACE TE : 1379778
 NOTES COMPLEMENTAIRES :
 12 CAHIER DE PRECONISATION : 411-15672
 13 REFERENCE REPRESENTEE : 1379681-1
 14 VERROU SECONDAIRE PREVERROUILLE (POSITION PREFERENTIELLE DE LIVRAISON). SI LE VERROU N'EST PAS DANS CETTE POSITION, SUIVRE LES INSTRUCTIONS DE LA NOTICE TECHNIQUE TE 411-15672 §8.2
 PI POUR INFORMATION

LOCALE NOTES ARE BETWEEN <->
 APPLICABLE SPECIFICATION :
 TE SPECIFICATION (SEE BEFORE)
 TE INTERFACE DRAWING (SEE BEFORE)
 ADDITIONAL NOTES :
 INSTRUCTION SHEET : (SEE BEFORE)
 PART NUMBER SHOWN (SEE BEFORE)
 SECONDARY LOCK IN PRELOCKED POSITION (PREFERRED DELIVERY POSITION). IF SECONDARY LOCKING IS NOT IN THIS POSITION, FOLLOW INSTRUCTIONS OF TE SPECIFICATION 411-15672 §8.2
 FOR REFERENCE ONLY



CONTACTS ASSOCIES (APPLIED CONTACTS)		
REF TE / TE PN	FINITION (FINISH)	DESIGNATION (DESIGNATION)
-	-	-
1674742-1	ETAME (TINNED)	LANGUETTE 0.635 (0.635 TAB) 0.35 A 0.5 MM ² (SQMM)

REF TE / TE PN	DESCRIPTION / DESCRIPTION	CODAGE / KEYING	MATIERE BOITIER - MATIERE VERROU SECONDAIRE / HOUSING MATERIAL - RETAINER MATERIAL	COULEUR BOITIER - COULEUR VERROU SECONDAIRE / HOUSING COLOR - RETAINER COLOR	REVISION ASSEMBLAGE / ASSEMBLY REVISION CODE
1379681-5	CONNECTEUR 24 VOIES / 24 WAY CONNECTOR	- / -	PBT-PBT / PBT-PBT	NATUREL-NATUREL / NATURAL-NATURAL	A
1379681-2	CONNECTEUR 24 VOIES / 24 WAY CONNECTOR	2 / 2	PBT-PBT / PBT-PBT	GRIS-NATUREL / GREY-NATURAL	A
1379681-1	CONNECTEUR 24 VOIES / 24 WAY CONNECTOR	1 / 1	PBT-PBT / PBT-PBT	NOIR-NATUREL / BLACK-NATURAL	A

THIS DRAWING IS A CONTROLLED DOCUMENT. CE PLAN EST UN DOCUMENT CONTRÔLÉ PAR TYCO ELECTRONICS. IL EST SPÉCIFIQUE À CE PRODUIT. CONTACTER LE SERVICE TECHNIQUE DE TYCO ELECTRONICS POUR OBTENIR LA MEILLEURE RÉVISION.

DWN / DRESSINE: 29NOV2002
 G. ROUZE
 C. ROUZE
 B. DUPONT

APV / APPROVE: 04DEC2002
 JP. PLICAUD

NAME: 025 TH 24 POS TAB HOUSING

PRODUCT SPEC: SEE TABLE
 SPEC. PRODUCT: SEE TABLE
 APPLICATION SPEC: SEE TABLE
 SPEC. APPLICATION: SEE TABLE

SIZE: A1
 CAGE CODE: -
 DRAWING NO: -
 No. PLAN: 1379681

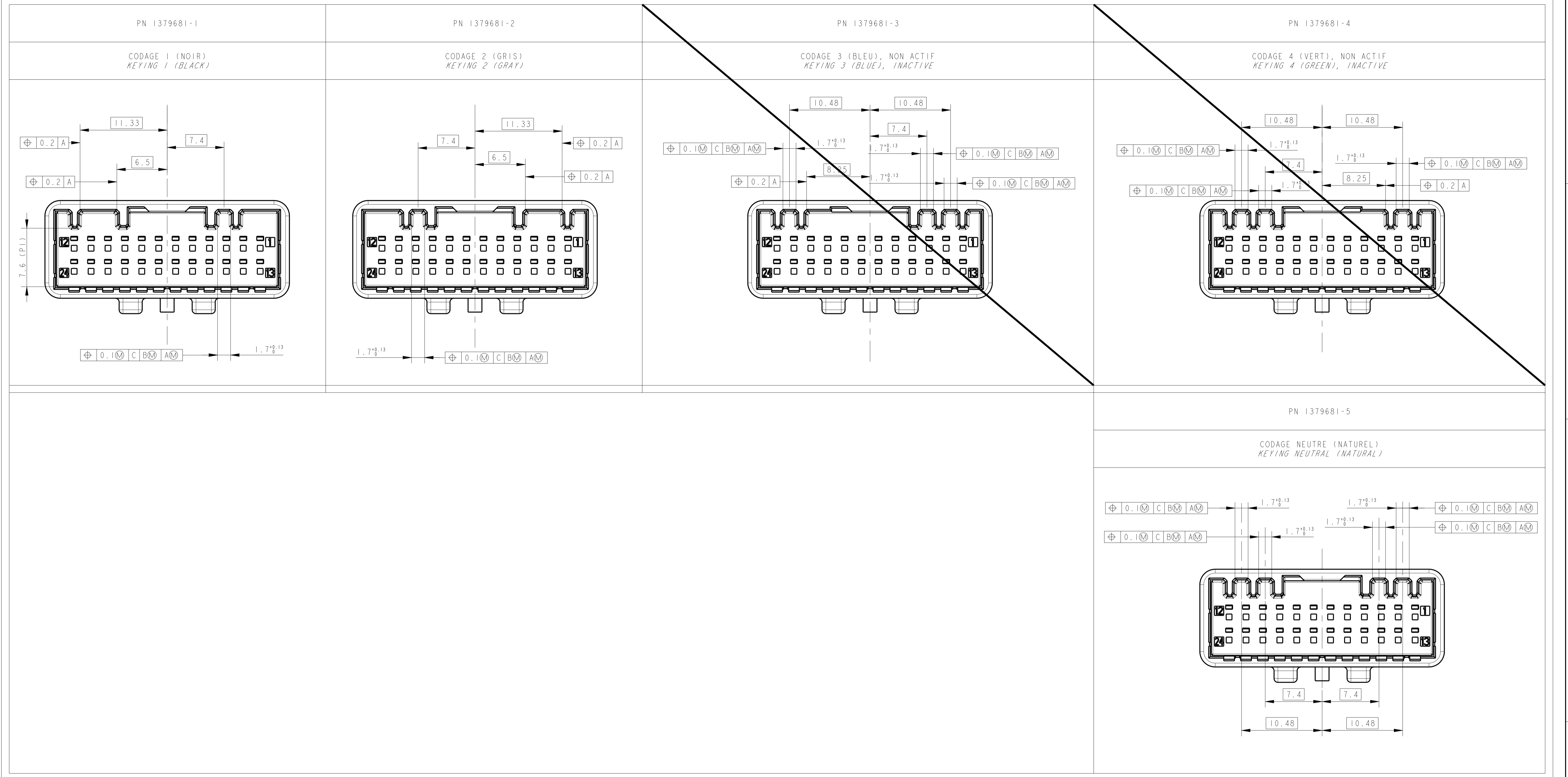
RESTRICTED TO RESERVE A

WEIGHT: 5.9g
 MASSES APPROX.: 5.9g

Customer Drawing / PLAN CLIENT

UNIFORMITÉ / UNIFORMITY: -
 SCALE: 4:1
 SHEET / FEUILLE: 1 OF 2
 REV: F

REVISIONS					
P.	LTN	DESCRIPTION	DATE	DWN	APPV
-	REV	MODIFICATIONS			
-		SEE SHEET 1			



THIS DRAWING IS A CONTROLLED DOCUMENT. CE PLAN EST UN DOCUMENT CONTRÔLÉ PAR TISSOT ELECTRONICS - IL EST SUJET À UN CONTRÔLE DE SA VÉRIFICATION.		DWN / REVISION: 29NOV2002 C. ROUZE CHK / REVISION: 02DEC2002 B. DUPONT		TE Connectivity			
DIMENSIONS: mm		TOLERANCES UNLESS OTHERWISE SPECIFIED: 0 PLC / DEC: ±0.2 1 PLC / DEC: ±0.2 2 PLC / DEC: ±0.2 3 PLC / DEC: ±0.2 4 PLC / DEC: ±0.2 ANGLES: ±0.5°		APVD / APPROUVE: 04DEC2002 IP: P1 (L14D) PRODUCT SPEC: SPEC. PRODUCT: SEE TABLE APPLICATION SPEC: SPEC. APPLICATION: SEE TABLE		NAME: 025 TH 24 POS TAB HOUSING	
MATERIAL / MATIÈRE: SEE TABLE		FINISH / FINITION: -		WEIGHT: MASSE APPROX.: 5.9g		SIZE / FORMAT: A1 CAGE CODE / DRAWING NO: - / 1379681	
4805 (3/13)		Customer Drawing		/PLAN CLIENT		UNIFORMITY / ÉCHELLE: 4:1 SHEET / FEUILLE: 2 DE 2 REV: F	

X-ON Electronics

Largest Supplier of Electrical and Electronic Components

Click to view similar products for [Automotive Connectors](#) category:

Click to view products by [TE Connectivity](#) manufacturer:

Other Similar products are found below :

[003-018-000](#) [60403001](#) [60993906-B](#) [M902-2131](#) [M902-2161](#) [M902-2344](#) [72.330.1035.1](#) [73.353.4028.0](#) [F119300-B](#) [F166900](#) [F258300-B](#)
[F358300-B](#) [F407400](#) [F444110](#) [F487000](#) [F509500B-B](#) [827153-1](#) [8N1515-32-24P](#) [9-1326729-8](#) [925474-1](#) [928905-1](#) [964562-4](#) [968782-1](#)
[GT17SA-8DS-HU](#) [98891-1012](#) [98947-1016](#) [12004147](#) [12004475-L](#) [12010290](#) [12015454](#) [12020219-B](#) [12041318-B](#) [12052225-L](#) [12052466](#)
[12064869](#) [12004327-B](#) [12015308](#) [12015384](#) [12015909](#) [1-21030-1](#) [12041254](#) [12041318](#) [12047946-B](#) [12047957](#) [12047957-L](#) [12059473](#)
[12066261](#) [12110546](#) [12110546-B](#) [12131792](#)