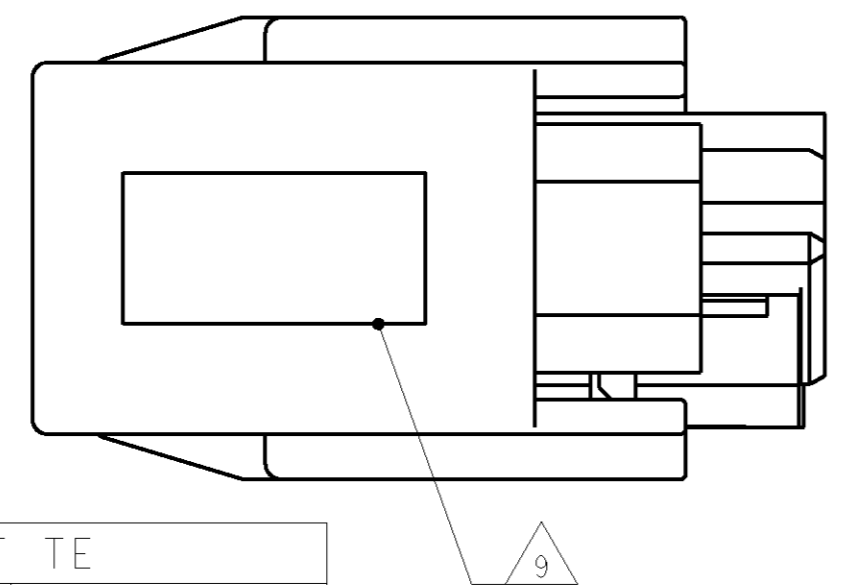
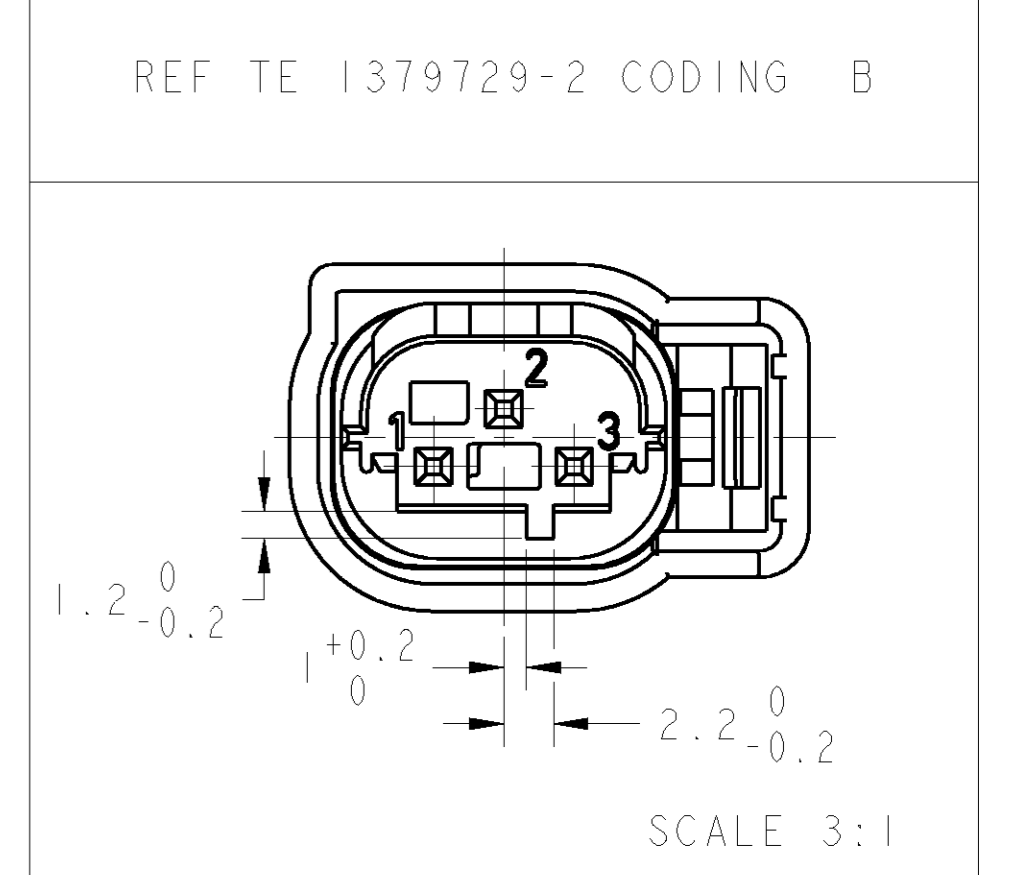
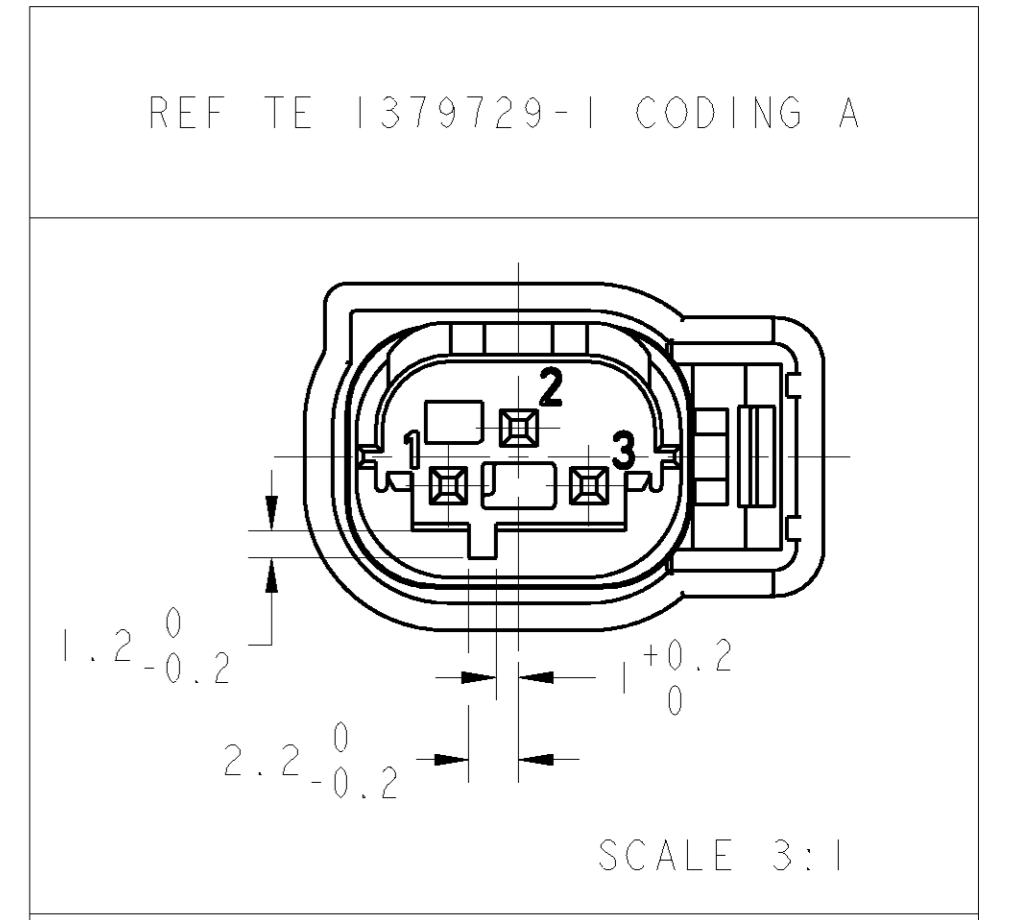
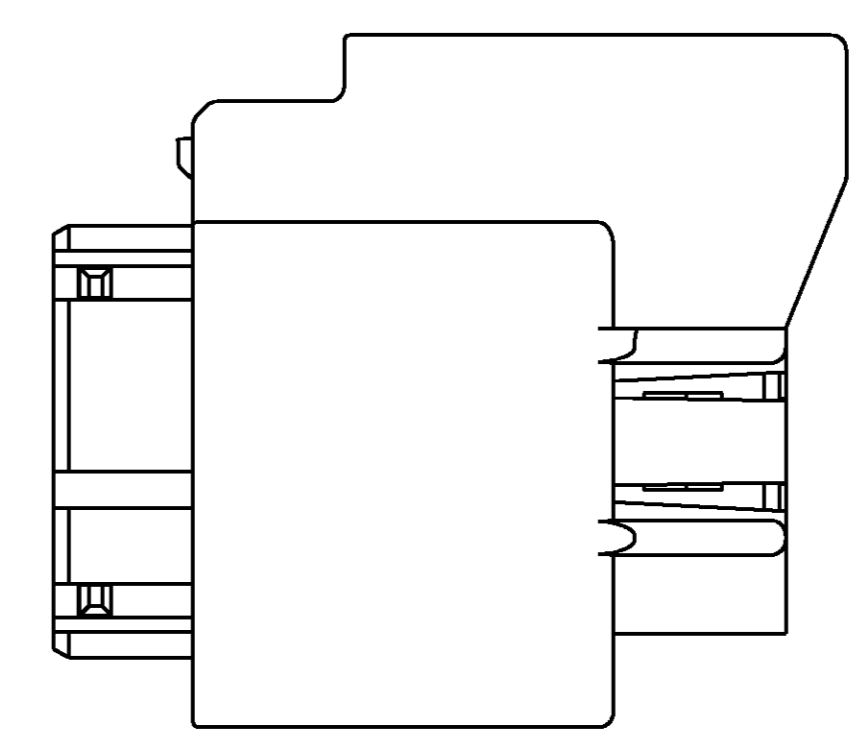
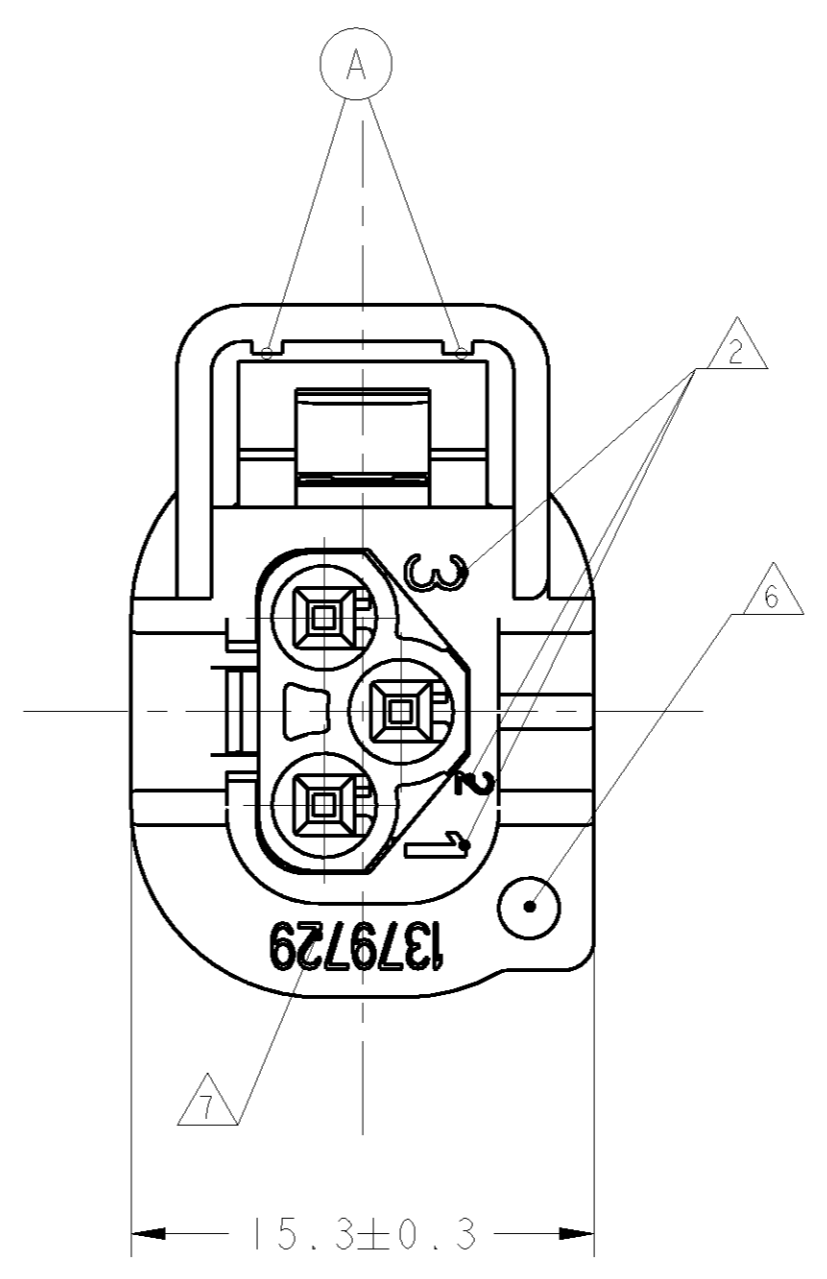
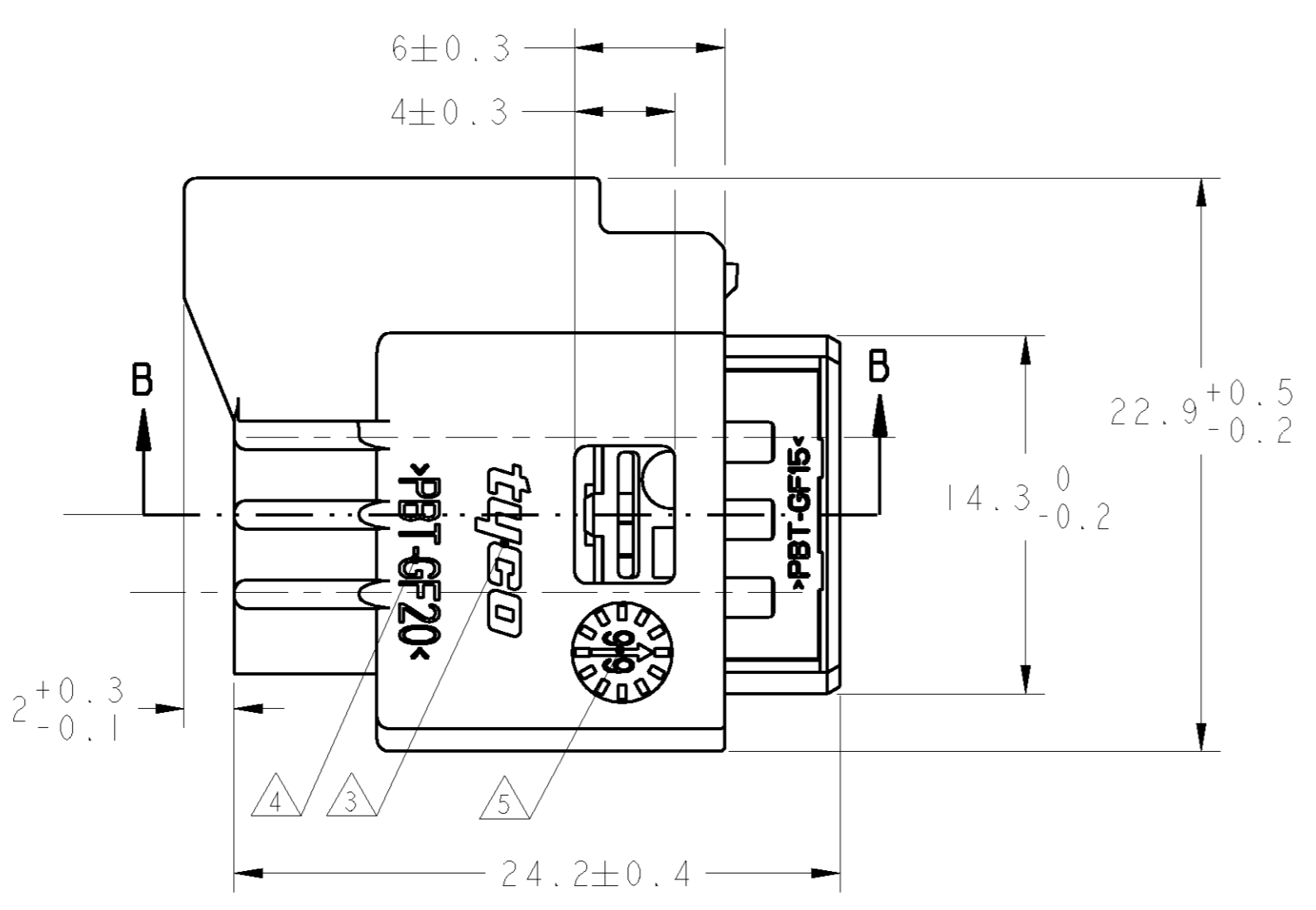
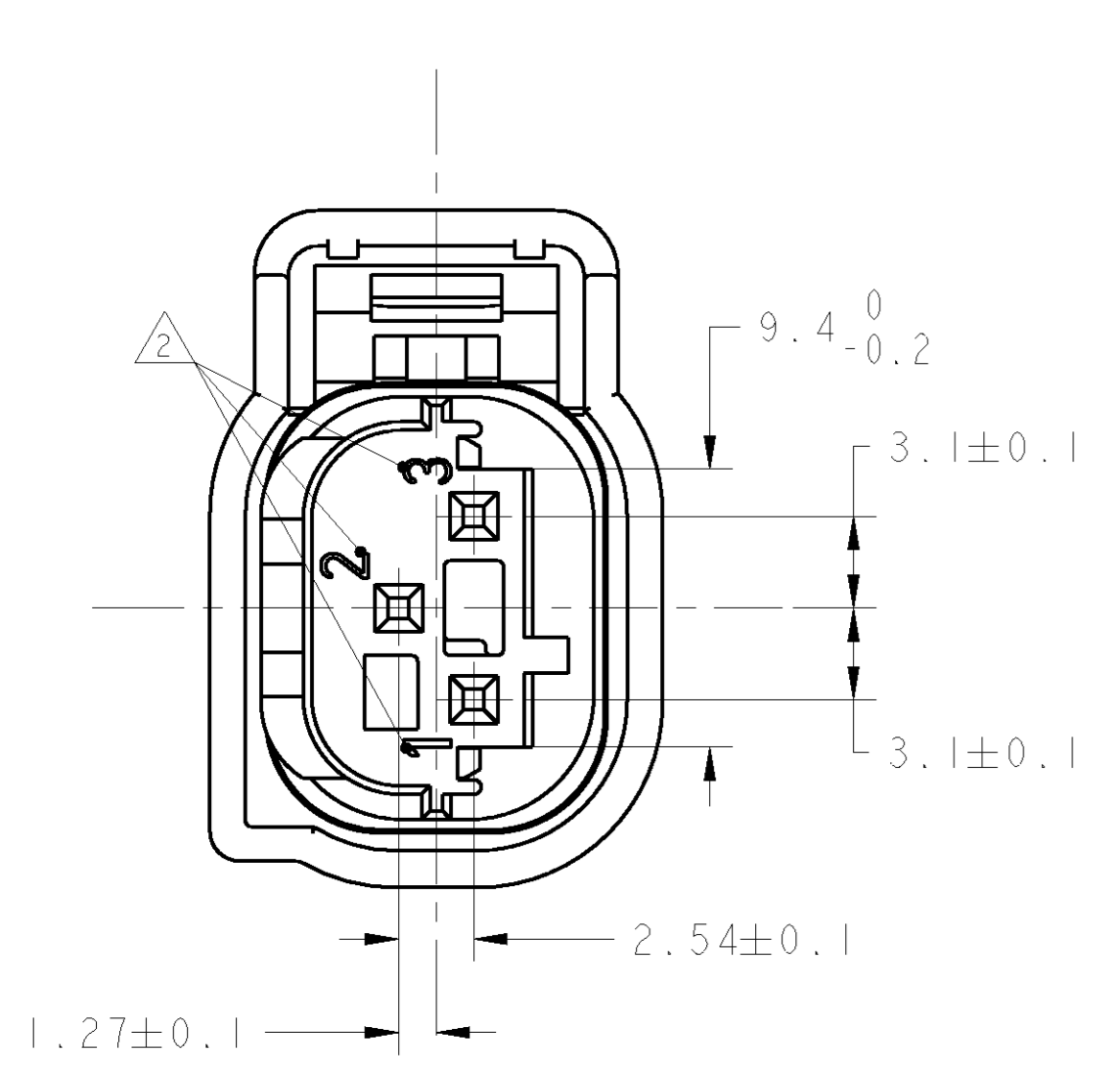
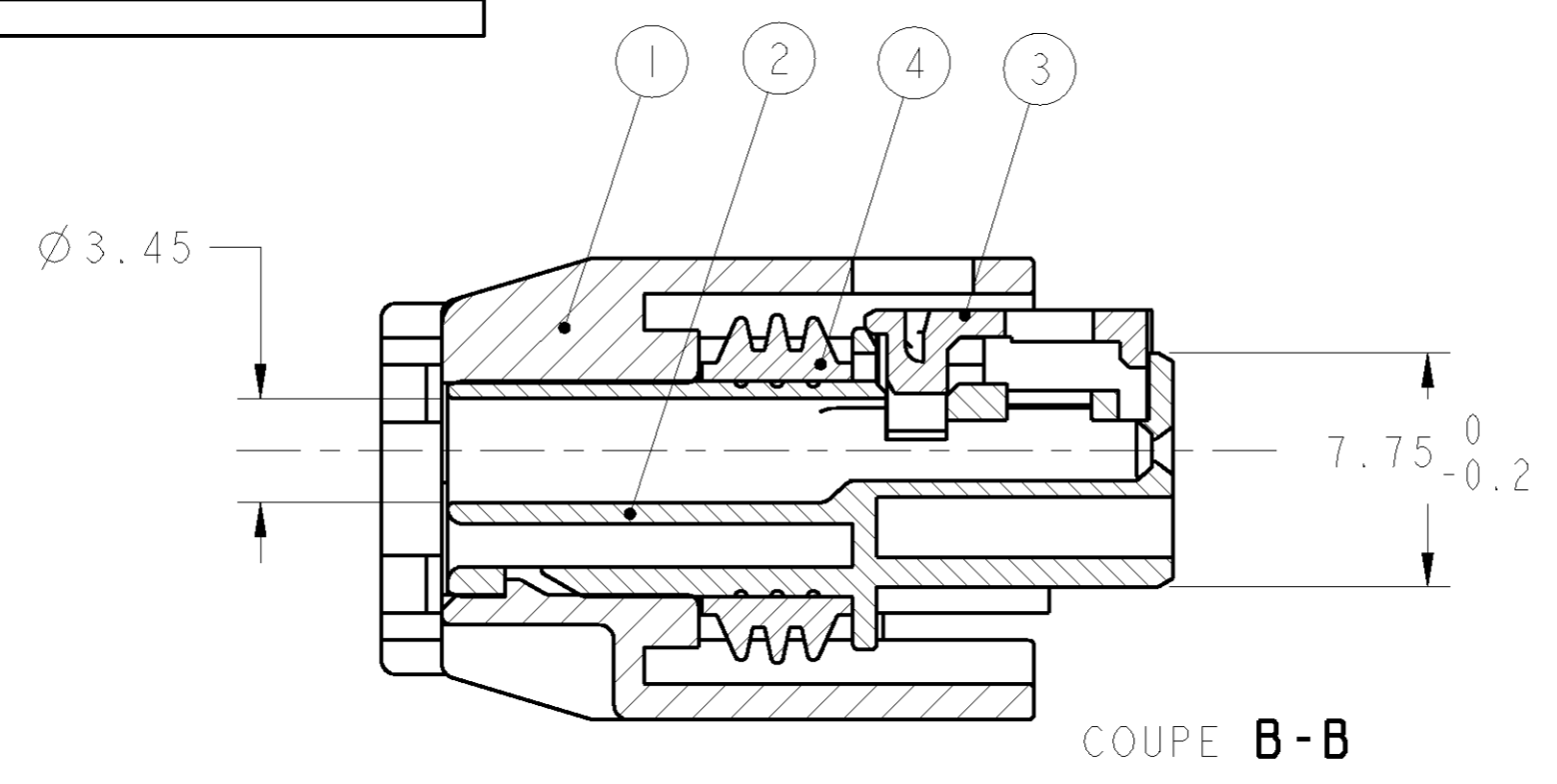


LOC	DIST	REV	DESCRIPTION	DATE	OWN	APPR
F	00	B	0.2 sqmm wire suppressed for PN 962855-X	29OCT2007	MP	EC

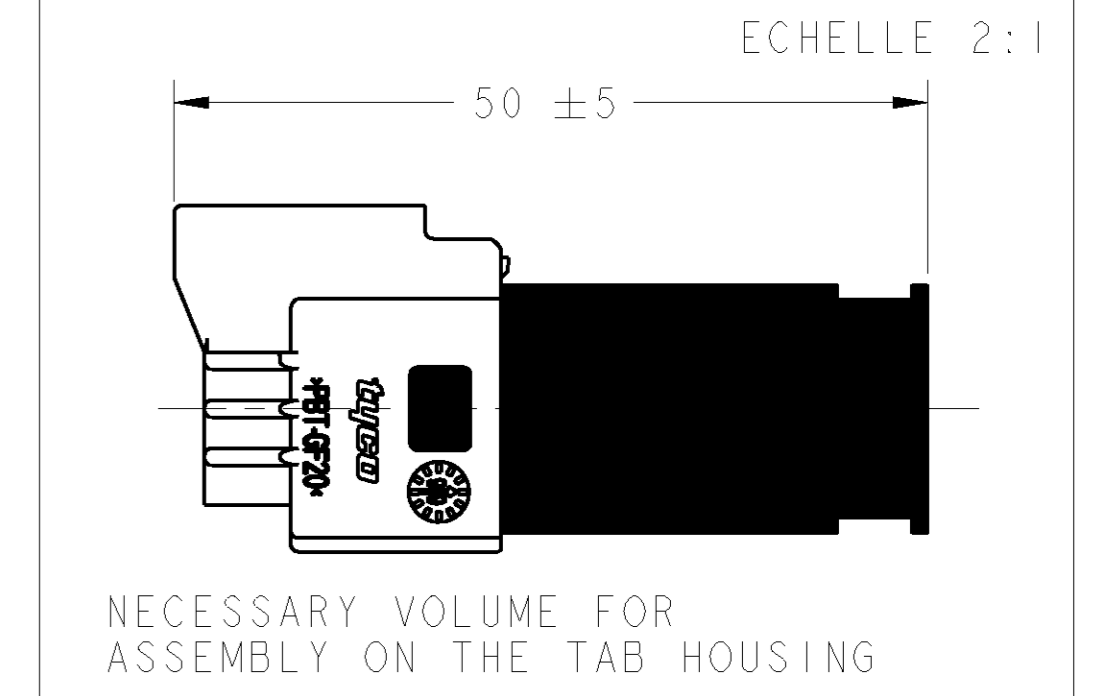
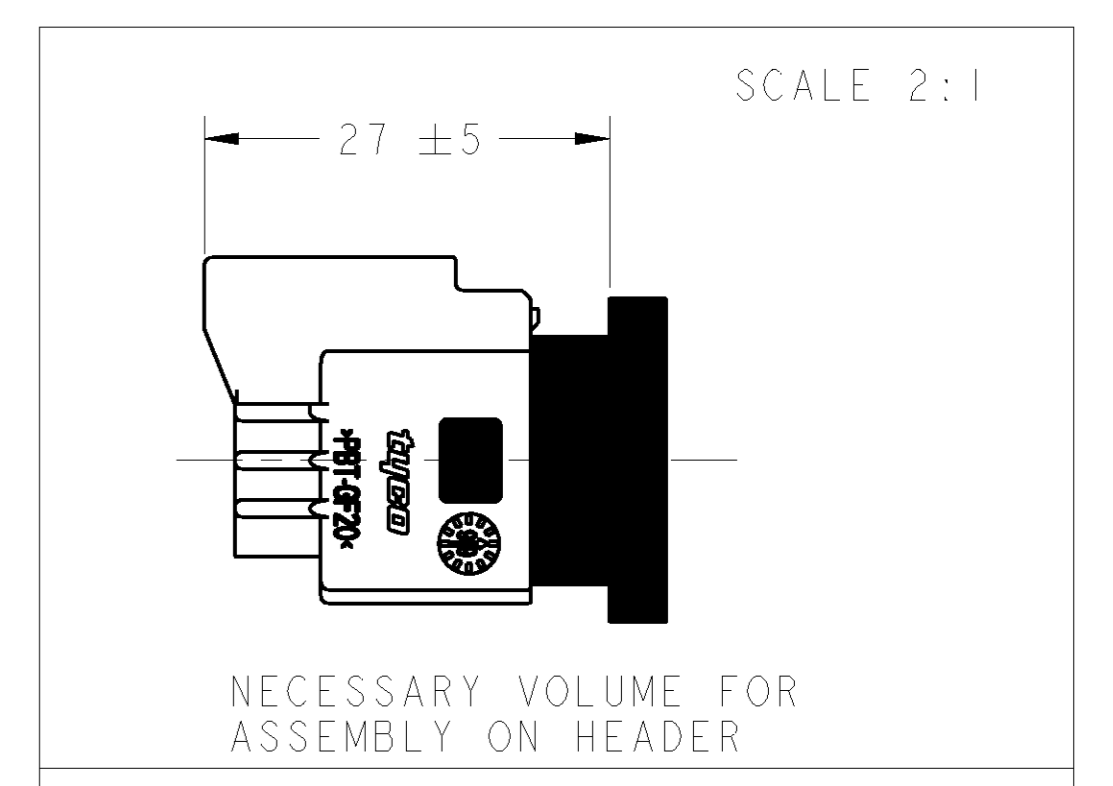


- NOTES :
- 1 - 1379729-1 AS SHOWN - CODING A
 - 2 CAVITY MARKING
 - 3 TE STAMP
 - 4 MATERIAL MARKING
 - 5 DATE CODE
 - 6 MOLD CAVITY MARKING
 - 7 P/N TE
 - 8 - INSTRUCTIONS SHEET : 411-15670
 - 9 POSSIBLE AERA FOR ASSEMBLY DATE CODE
 - 10 - PART USED WITH : SEE TABLE

REP	DESIGNATION	MATERIAL	REF TE	
			1379729-1 CODING A	1379729-2 CODING B
1	COVER	PBT FV	BLACK	BLACK
2	SOCKET HOUSING	PBT FV	BLACK	GRAY
3	LOCKING DEVICE	PBT FV	GREEN	GREEN
4	INTERFACE SEAL	SILICONE	ORANGE	ORANGE

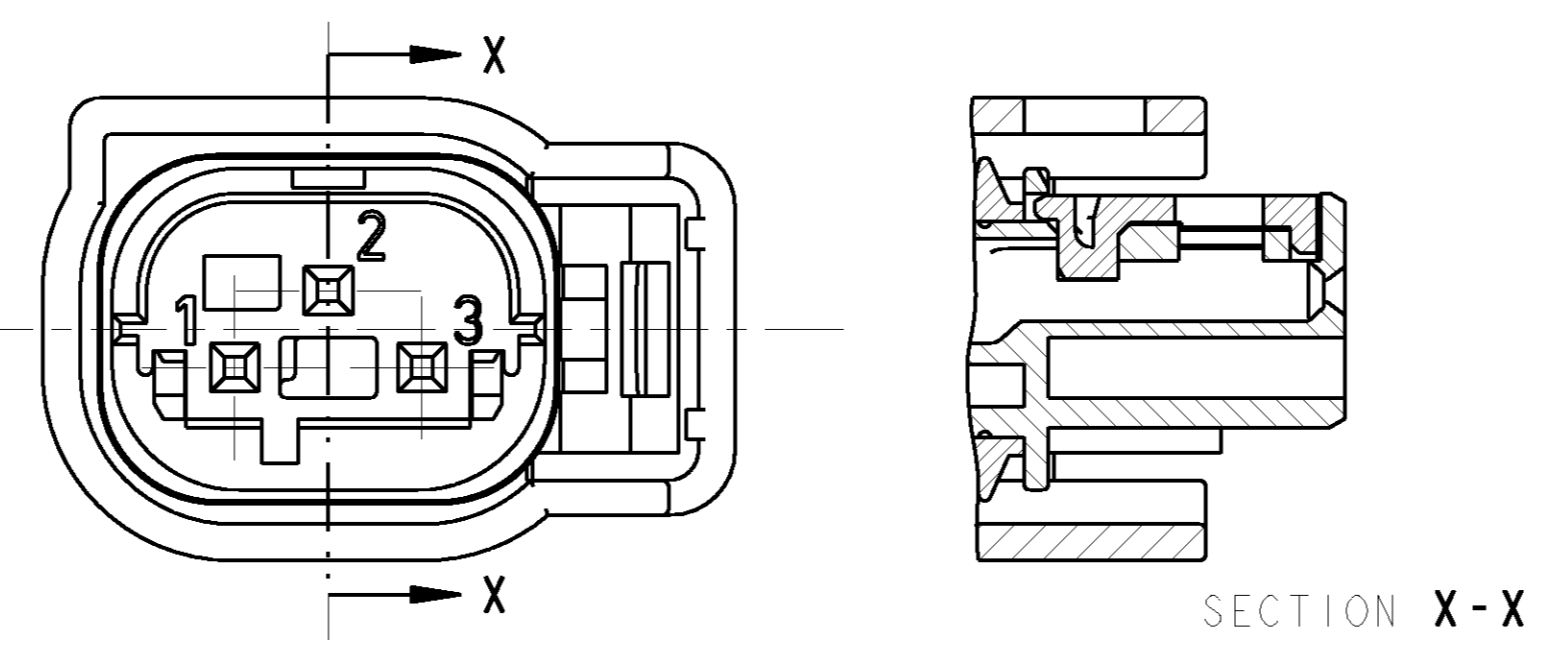
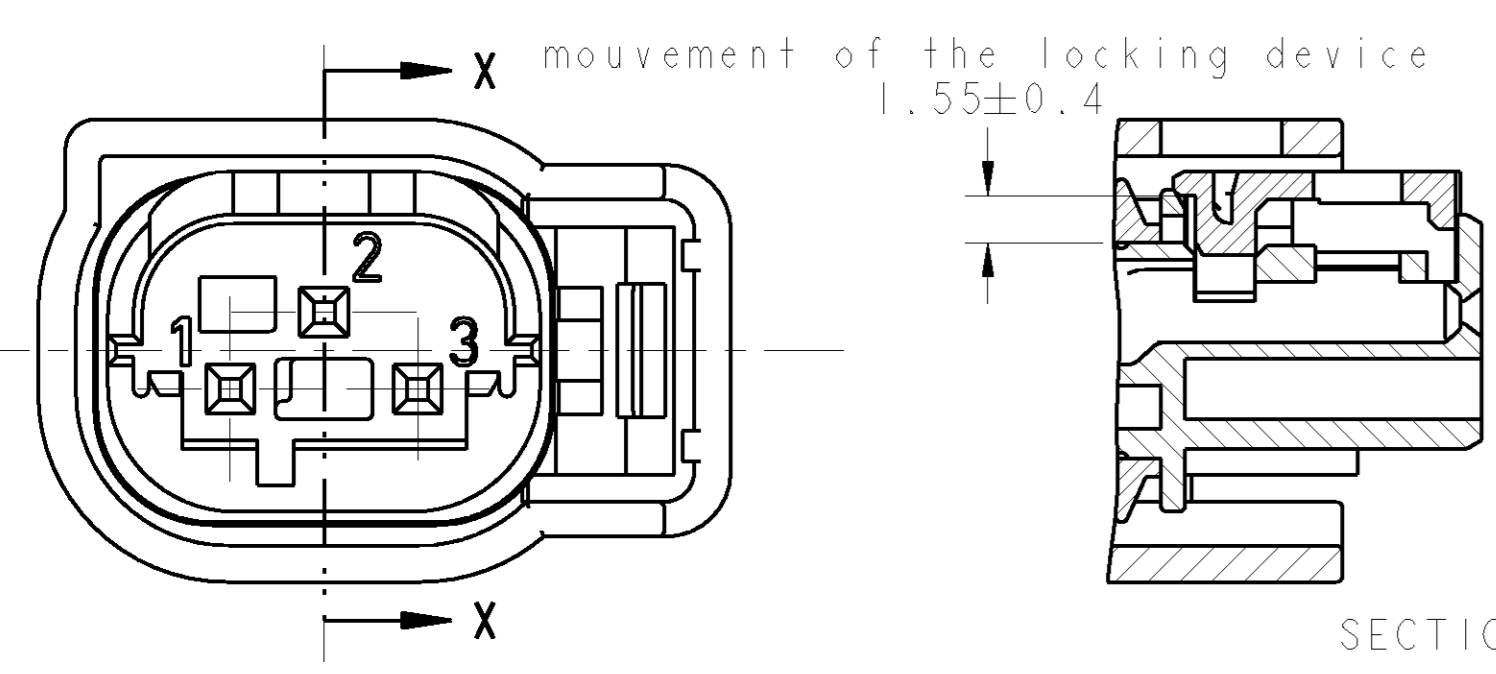
ECHELLE 2:1

COMPONANT	REF TE
MQS SINGLE WIRE SEAL	967067-X
MQS CAVITY PLUG FOR CAVITY DIA 3.45mm	967056-X
MQS SOCKET CONTACT SINGLE WIRE SEALING FOR 0.35 TO 0.5 mm ²	962885-X
MQS SOCKET CONTACT SINGLE WIRE SEALING FOR 0.5 TO 0.75 mm ²	965906-X



POSITION OF DELIVERY
locking device in position pre-locked

POSITION OF ASSEMBLY
locking device locked



<small>THIS DRAWING IS UNPUBLISHED. RELEASED FOR PUBLICATION UNDER A 44 AGREEMENT. COPYRIGHT 2006 BY TYCO ELECTRONICS CORPORATION. ALL RIGHTS RESERVED. TYPICAL SPECIFICATIONS</small>		06 JAN 2006 M. POLLEONTE 16 JAN 2006 X. ROULLARD		Tyco Electronics France SAS 95300 Pontoise, France	
DIMENSIONS: mm TOLERANCES UNLESS OTHERWISE SPECIFIED: DECIMALES: 0.10 0.25 0.50 1.00 1.50 2.00 3.00 4.00 5.00 6.00 8.00 10.00 15.00 20.00 30.00 40.00 50.00 60.00 80.00 100.00		PRODUCT SPEC: 108-15286 SPEC. PRODUCT: 108-15286 APPLICATION SPEC: 108-15286 SPEC. APPLICATION: 108-15286		NAME: MQS, SOCKET HOUSING SEALED 3 POS ASSY SIZE: 108-15286 CASE CODE: 108-15286 DRAWING NO: 100779 IN-PLAN: 1379729	
MATERIAL / MATIERE: - FINISH / FINITION: -		WEIGHT: 4g WASTE APPROX.: -		RESTRICTED TO: RESERVE X SHEET: 1 OF 1 FEUILLE: 1 DE 1	
CUSTOMER DRAWING / PLAN CLIENT		INVOICEMENT FOUR REFERENCE		SCALE: 4:1 SHEET: 1 OF 1 REV: B	

X-ON Electronics

Largest Supplier of Electrical and Electronic Components

Click to view similar products for [Automotive Connectors](#) category:

Click to view products by [TE Connectivity](#) manufacturer:

Other Similar products are found below :

[003-018-000](#) [60993906-B](#) [72.330.1035.1](#) [776880-1](#) [827153-1](#) [9-1326729-8](#) [9-221607-5](#) [925474-1](#) [928905-1](#) [964562-4](#) [968782-1](#) [98891-1012](#) [12004468](#) [12004475-L](#) [12004483](#) [12052466](#) [12066163](#) [12015909](#) [12077753](#) [1-21030-1](#) [12047957](#) [12047958](#) [12084688](#) [12185550](#) [12336-12](#) [1-326211-1](#) [13681974](#) [13688972](#) [13755420](#) [13779834](#) [13783086](#) [13843152](#) [13522378](#) [13581967](#) [13669624](#) [13675513](#) [13753471](#) [13946876](#) [13953457](#) [13955963](#) [13964573](#) [13971791](#) [13790534-L](#) [13797473](#) [13805590](#) [13888202](#) [1428188-1](#) [1437287-3](#) [1428188-2](#) [DS07-19S-5020](#)