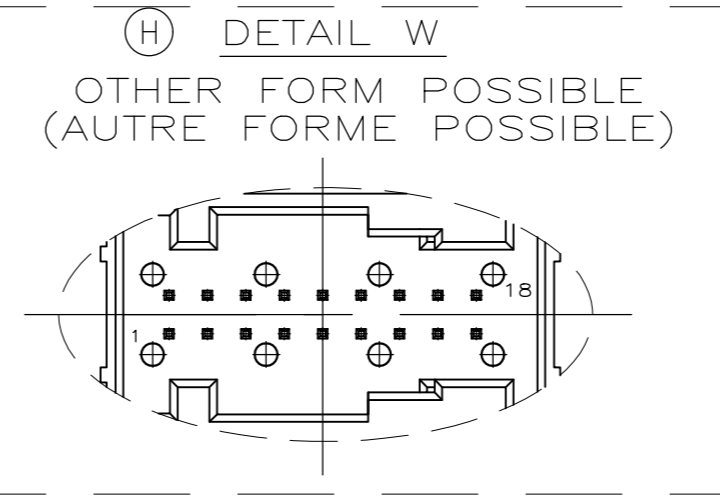
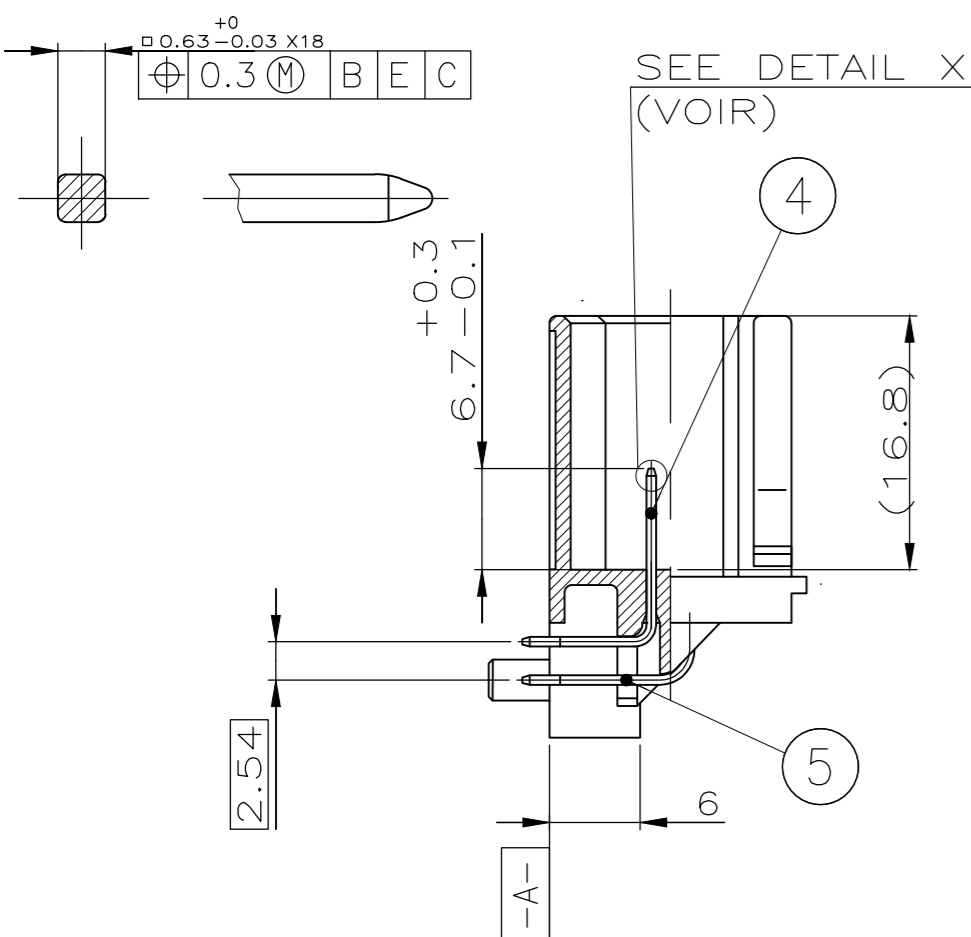


P	LTR	DESCRIPTION	DATE	DWN	APVD
L	REV	UPDATE THE DRAWING & ADD NEW P/N 1-1379731-1	03MAR2020	RSR	J.L

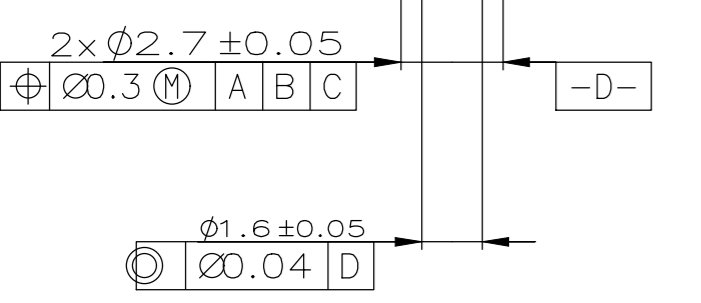
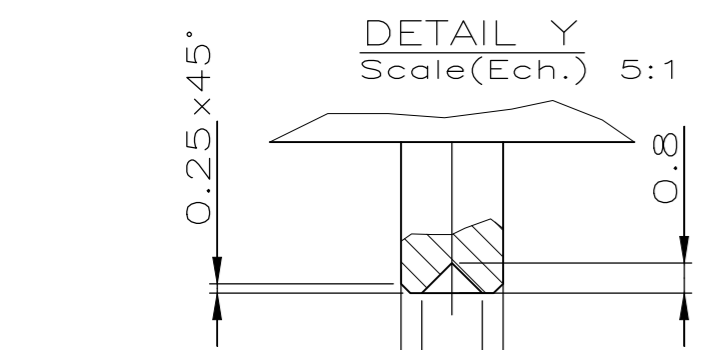
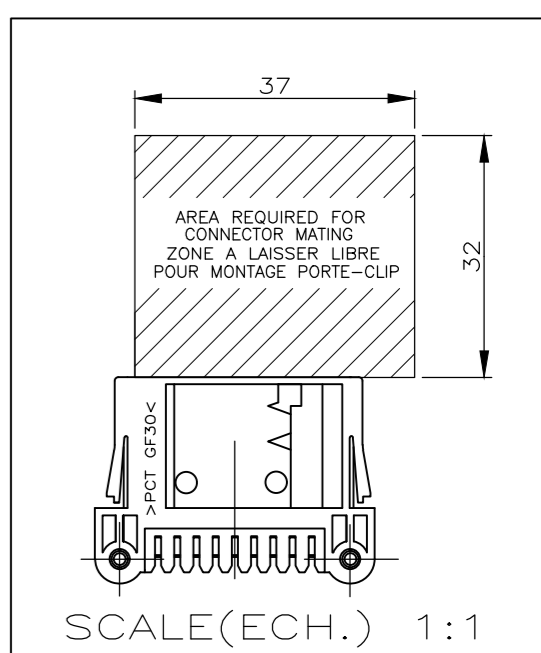
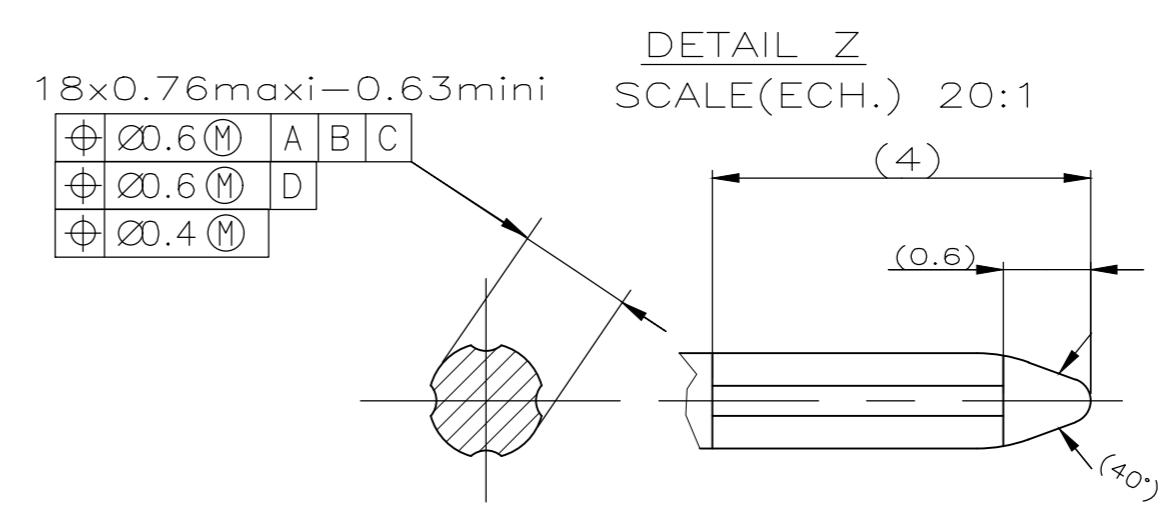
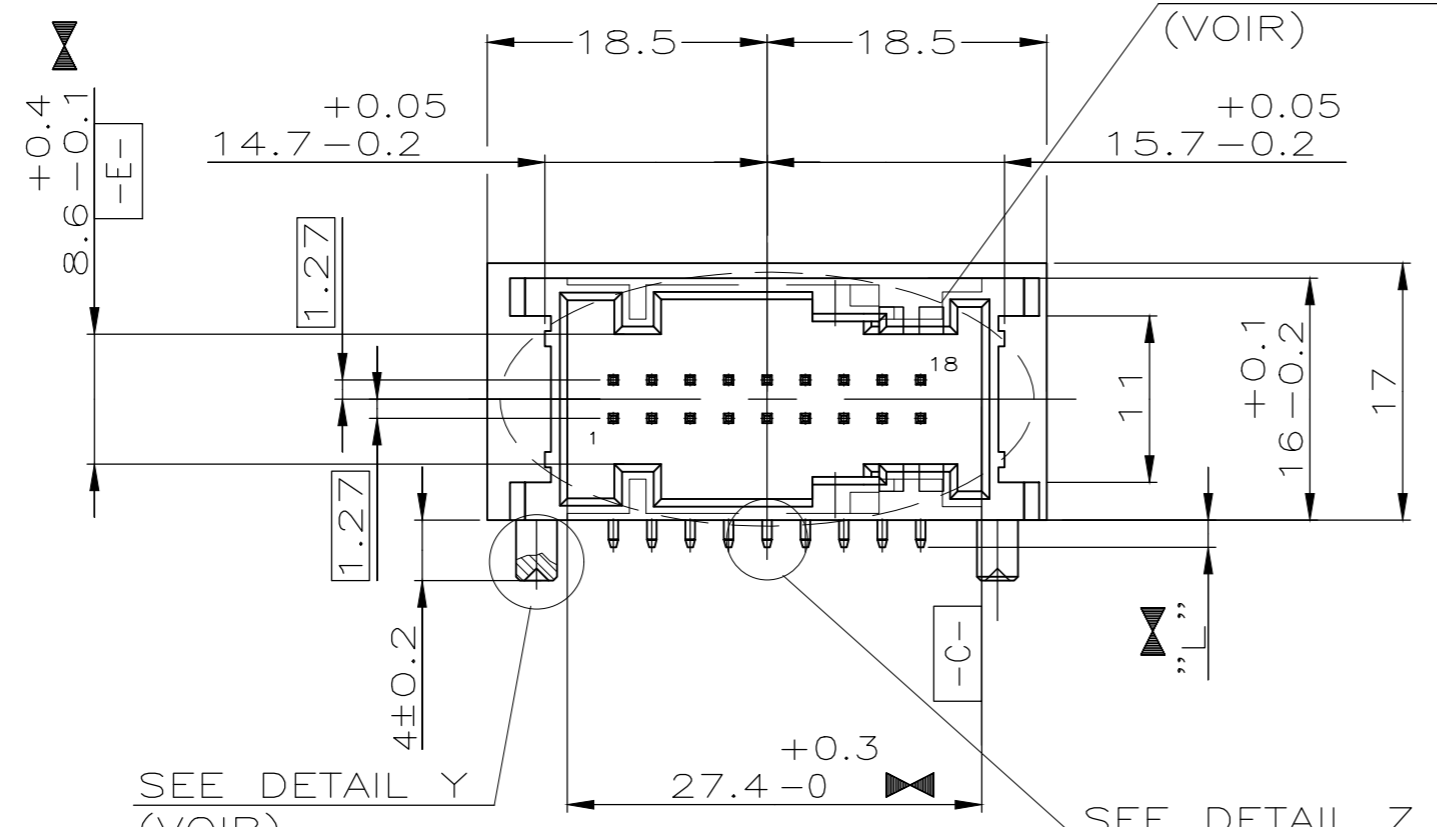
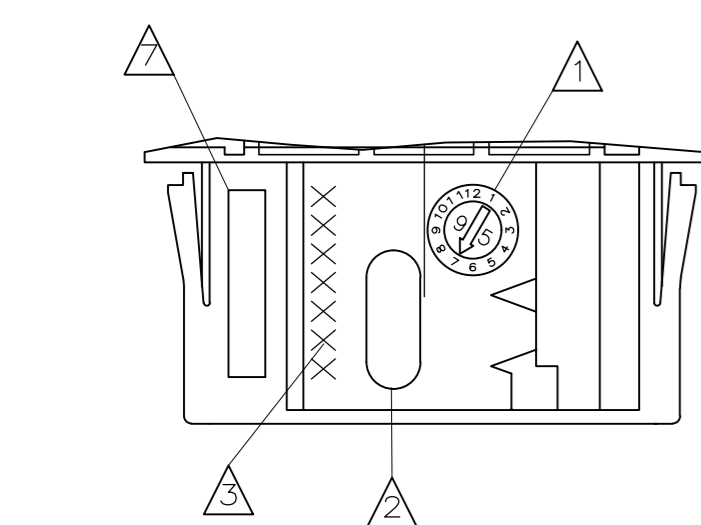
DETAIL X

SCALE(ECH.) 10:1



NOTES:

- 1 PRODUCTION DATE OF PLASTIC PART
DATE PRODUCTION DU BOITIER PLASTIQUE
- 2 TE LOGO
LOGO DE TE
- 3 ASSEMBLY PART NUMBER
REFERENCE DU PRODUIT ASSEMBLE
- 4 MOLD STATUS REVISION
INDICE REVISION DU MOULE
- 5 MOLD CAVITY IDENTIFICATION NUMBER
NUMERO D'EMPREINTE DU MOULE
- 6 PLASTIC MATERIAL IDENTIFICATION
IDENTIFICATION DE LA MATIERE PLASTIQUE
- 7 ASSEMBLY DATE MARKING
MARQUAGE DE DATE D'ASSEMBLAGE
- 8 CAPABILITY DIMENSION FOR THE TOOLINGS QUALIFICATION ONLY
COTE DE CAPABILITE UNIQUEMENT POUR LA QUALIFICATION D'OUTILLAGES
- 8 ONLY COMPATIBLE WITH THE CONNECTORS UNDER P/Ns : 185307-X ; 185315-X
- 9 TRAY-PACKAGING FOR MANUAL OPERATION ACC. TO V-SPEC. V1379731
- 10 TRAY-PACKAGING FOR AUTOMATIC OPERATION ACC. TO V-SPEC. V1379731



ASSY P/N REF. ASSEMBLEE	(L)	(L)	(L)	(L)	(L)	(L)	(L)	(L)	(L)	(L)	(L)	(L)	(L)	(L)	(L)	(L)	(L)	(L)	(L)
185680-1/g	X	X	X	X	X														
185680-2/g																			
1379731-1/g																			
1379731-2/g																			
1379731-3/g																			
6-1379731-1/g																			
6-1379731-2/g																			
6-1379731-3/g																			
1-1379731-1/10																			

ASSY P/N REF. ASSEMBLEE	PACKAGING IN TRAY THERMO. CONDITIONNEMENT EN PLATEAU THERMO.	PACKAGING IN STICK CONDITIONNEMENT EN TUBE
185680-1/g	X	
185680-2/g	X	
1379731-1/g	X	
1379731-2/g	X	
1379731-3/g	X	
6-1379731-1/g		X
6-1379731-2/g		X
6-1379731-3/g		X
1-1379731-1/10		X

ASSY P/N REF. ASSEMBLEE	QTY/QTE	P/N TO BE MARKED REF. A MARQUER	MATERIAL MATIERE	DESIGNATION	COLOR/FINISH COULEUR/FINITION	REP.
185680-1/g			CuSn6	LONG PIN MQS CONTACT LONG MQS	BLACK/NOIR	5
185680-2/g			CuSn6	SHORT PIN MQS CONTACT COURT MQS	WHITE/BLANC	4
1379731-1/g			PCT GF30	LONG PIN MQS CONTACT LONG MQS	BLUE BLEU	3
1379731-2/g			PCT GF30	SHORT PIN MQS CONTACT COURT MQS	WHITE/BLANC	2
1379731-3/g			PCT GF30	LONG PIN MQS CONTACT LONG MQS	BLACK/NOIR	1
6-1379731-1/g			PCT GF30	SHORT PIN MQS CONTACT COURT MQS	WHITE/BLANC	2
6-1379731-2/g			PCT GF30	LONG PIN MQS CONTACT LONG MQS	BLACK/NOIR	1
6-1379731-3/g			PCT GF30	SHORT PIN MQS CONTACT COURT MQS	WHITE/BLANC	2
1-1379731-1/10			PCT GF30	LONG PIN MQS CONTACT LONG MQS	BLACK/NOIR	1

THIS DRAWING IS A CONTROLLED DOCUMENT.
CE SCHEMA EST UN DOCUMENT CONTROLÉ

TOLERANCES UNLESS OTHERWISE SPECIFIED: (SUIV NB DE DECIMALES):
 DIMENSIONS: mm
 ANGLES: ± 5°

TE Connectivity

18W MQS HEADER BENT LEFT WITH CRESSING PIN
EMBASE 18 V MQS COUDEE GAUCHE
AVEC PION DE BOUTEROLLAGE

185680

00779

185680

SCALE 2:1

SHEET 1 OF 1

X-ON Electronics

Largest Supplier of Electrical and Electronic Components

Click to view similar products for [Automotive Connectors](#) category:

Click to view products by [TE Connectivity](#) manufacturer:

Other Similar products are found below :

[003-018-000](#) [60403001](#) [60993906-B](#) [M902-2131](#) [M902-2161](#) [72.330.1035.1](#) [73.353.4028.0](#) [F119300-B](#) [F166900](#) [F258300-B](#) [F358300-B](#)
[F407400](#) [F444110](#) [F487000](#) [F509500B-B](#) [827153-1](#) [8N1515-32-24P](#) [9-1326729-8](#) [925474-1](#) [928905-1](#) [964562-4](#) [968782-1](#) [GT17SA-8DS-](#)
[HU](#) [98891-1012](#) [98947-1016](#) [12004147](#) [12004475-L](#) [12010290](#) [12010309-B](#) [12015454](#) [12020219-B](#) [12020308](#) [12041318-B](#) [12052225-L](#)
[12052466](#) [12059125](#) [12064869](#) [12004327-B](#) [12010503-B](#) [12015308](#) [12015384](#) [12015909](#) [1-21030-1](#) [12041254](#) [12041318](#) [12047946-B](#)
[12047957](#) [12047957-L](#) [12059473](#) [12066261](#)