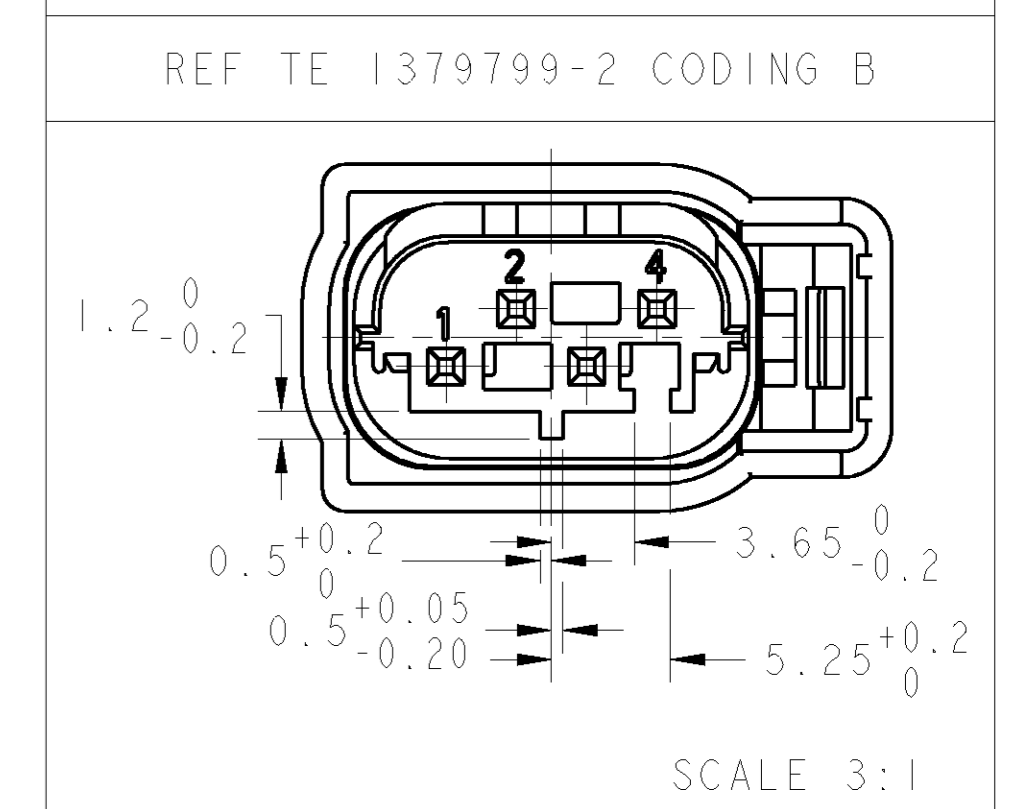
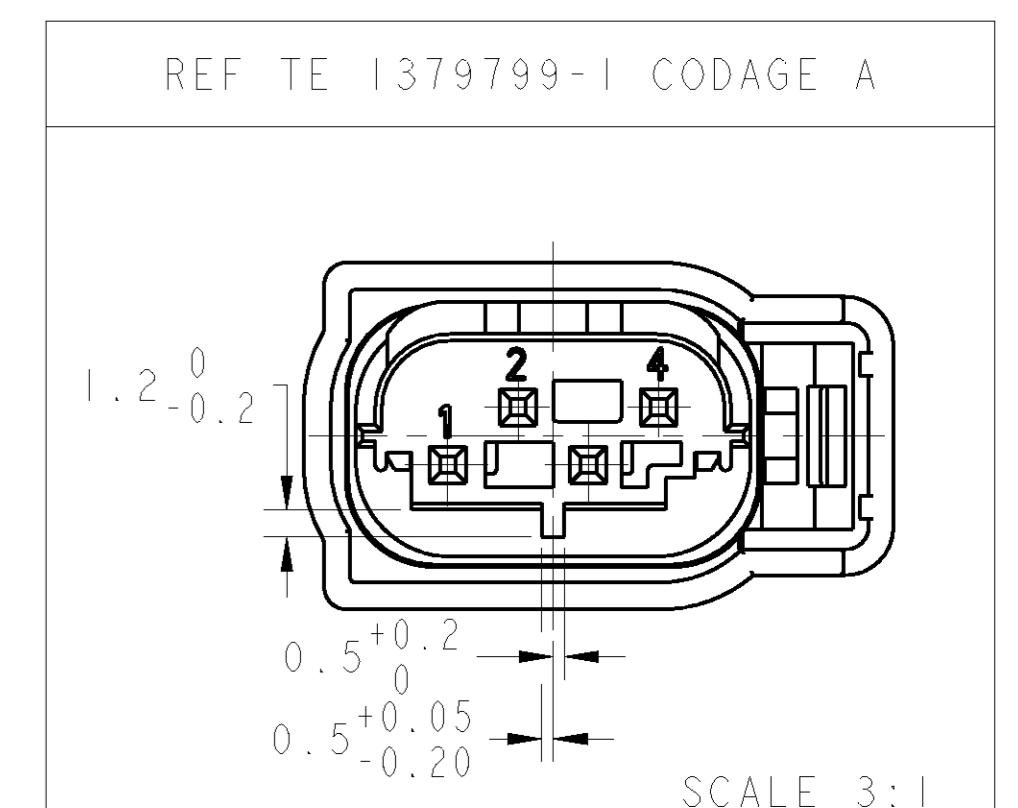
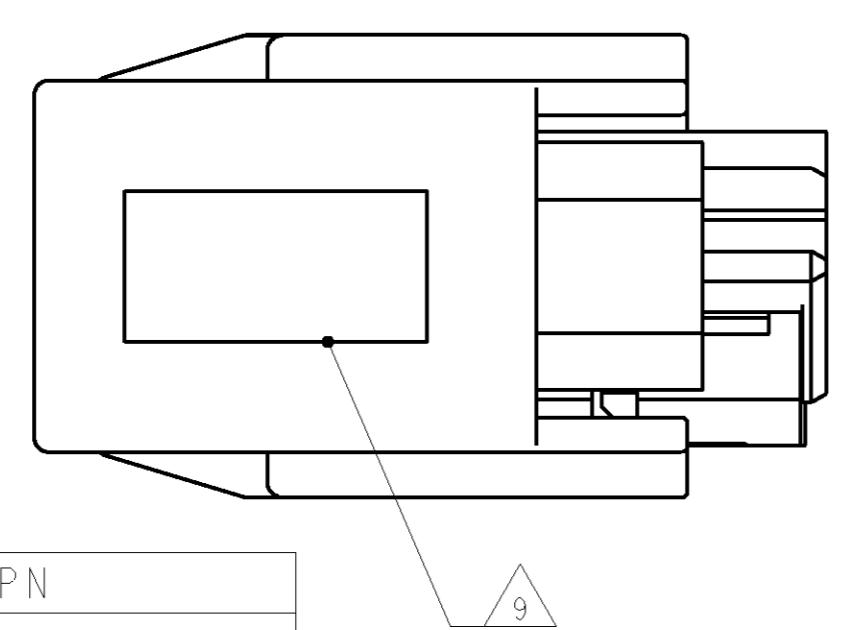
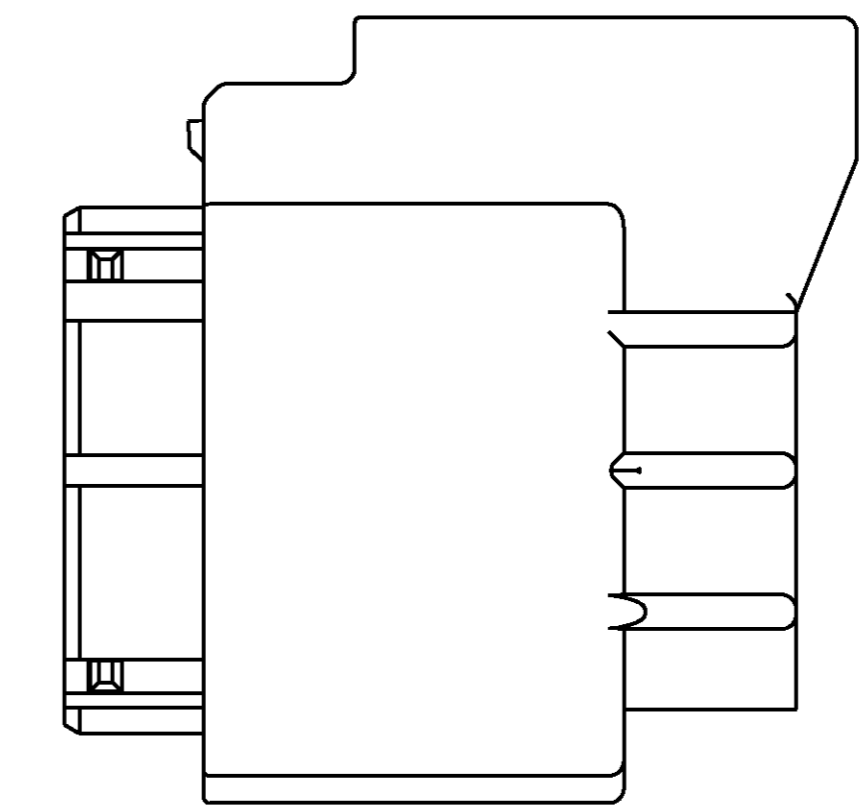
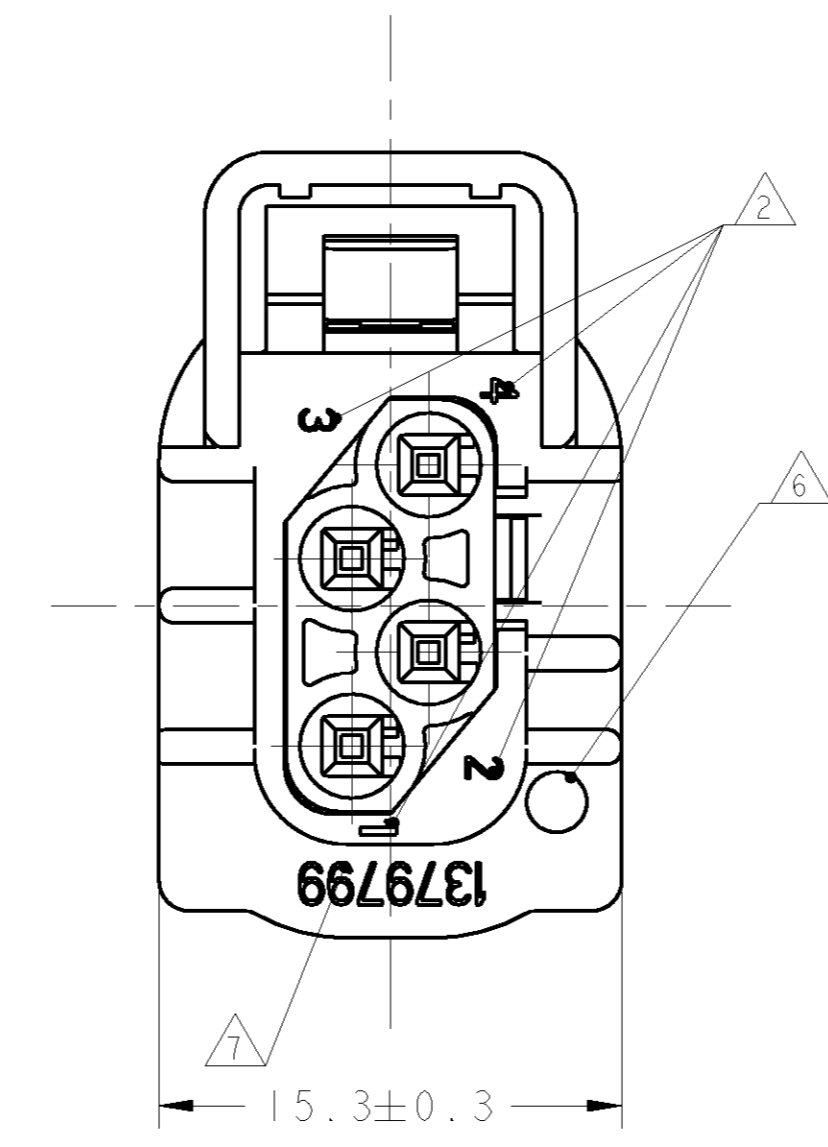
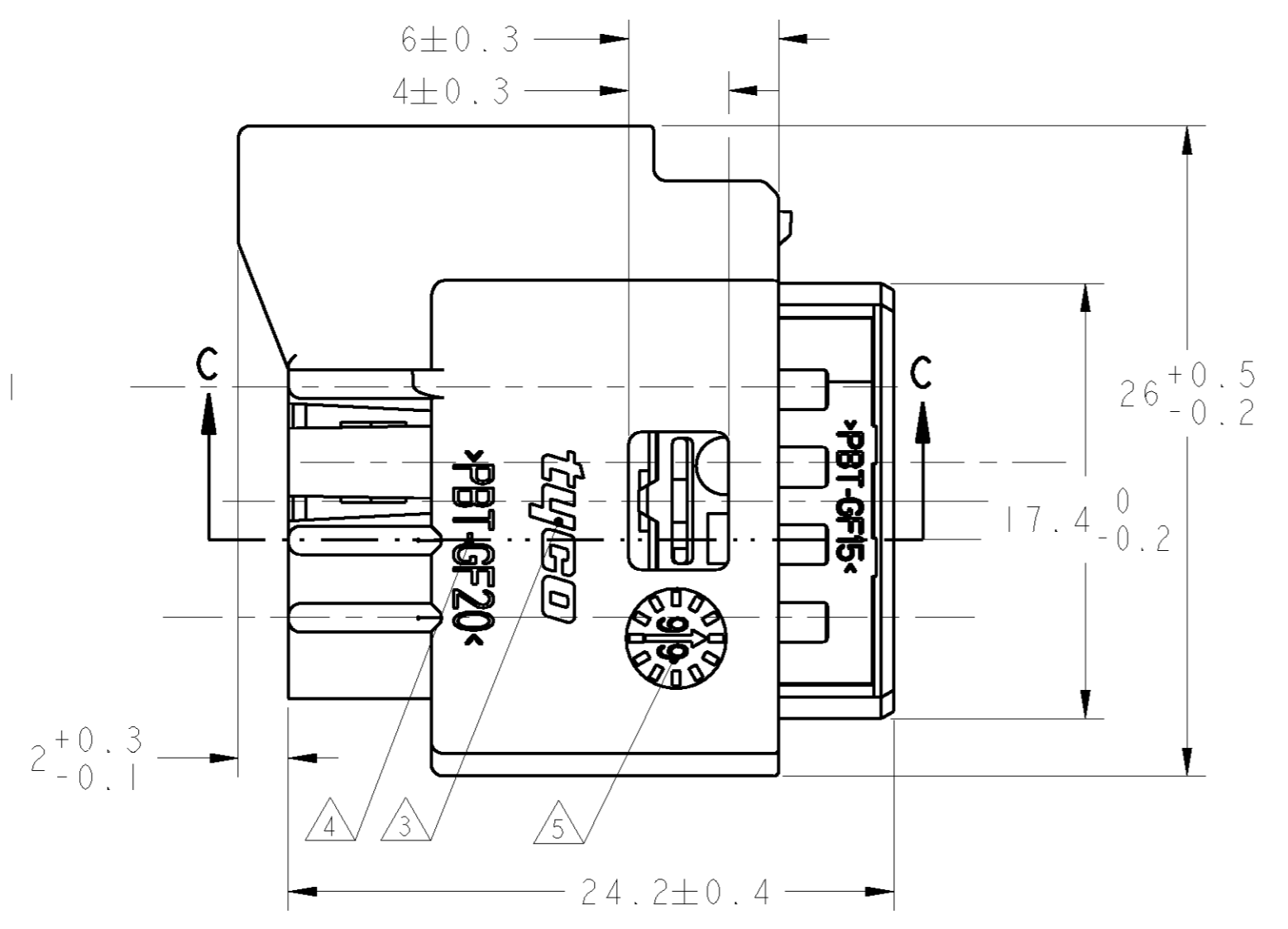
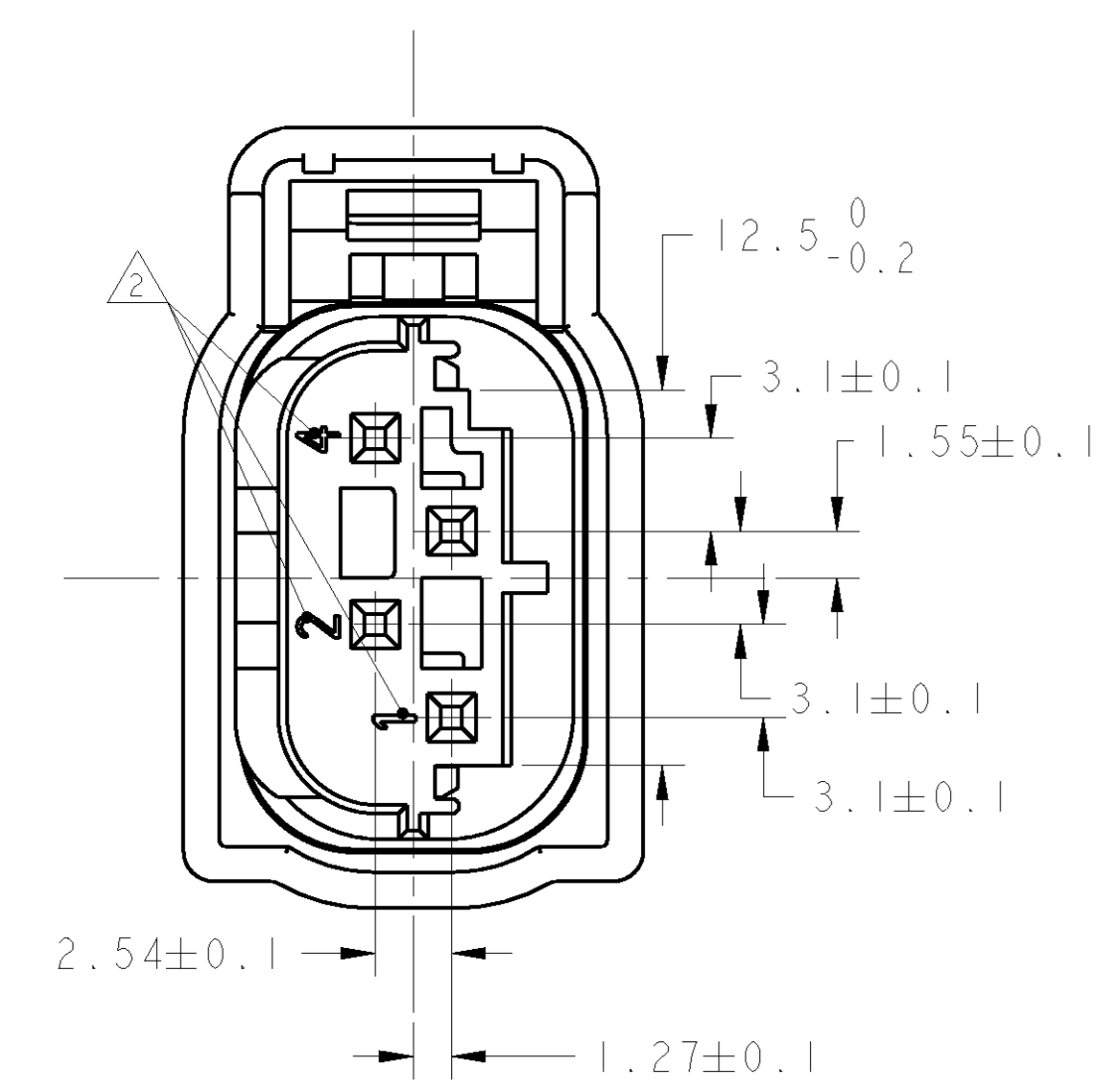
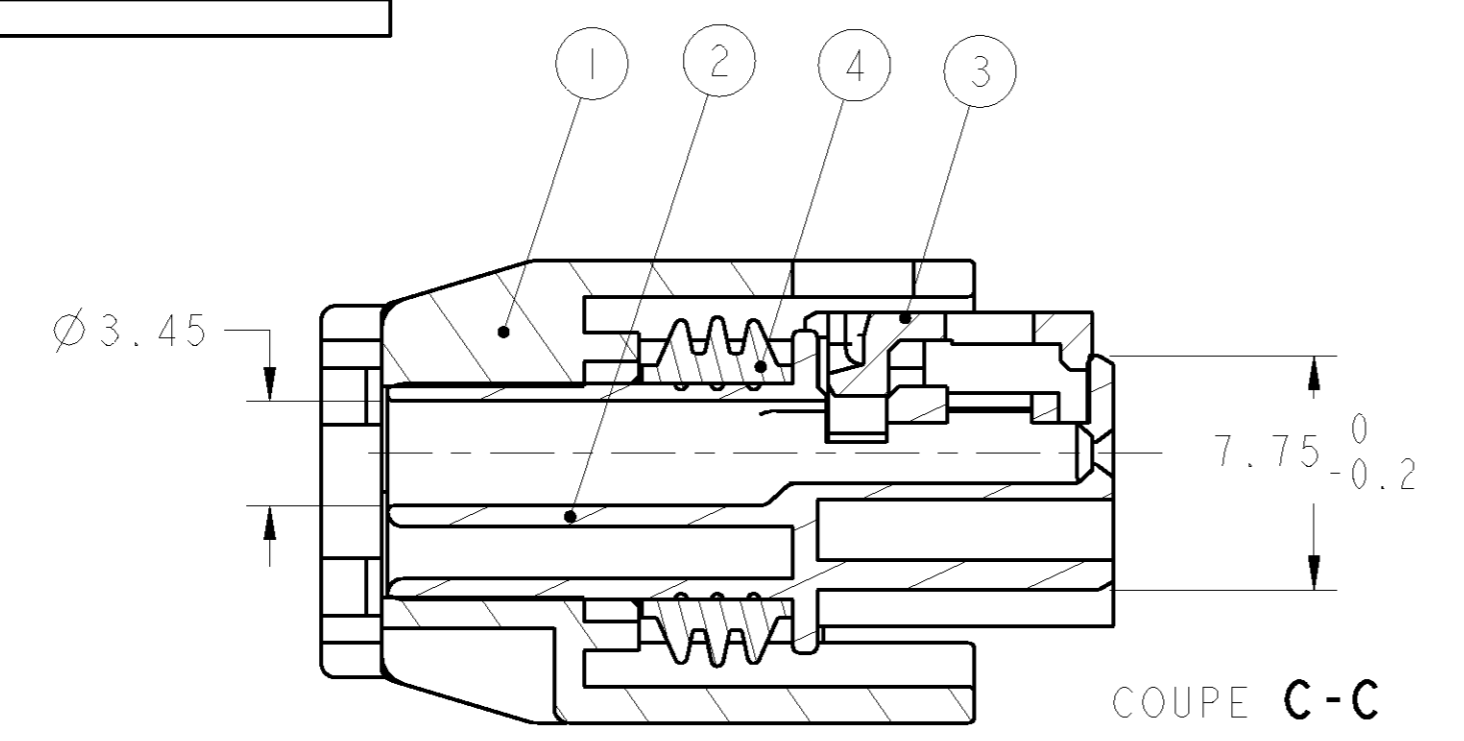


LOC	DIST	REV	DESCRIPTION	DATE	APPV	APPV
F	00	B	0.2 sqmm wire suppressed for PN 962885-X	29OCT2007	MP	EC

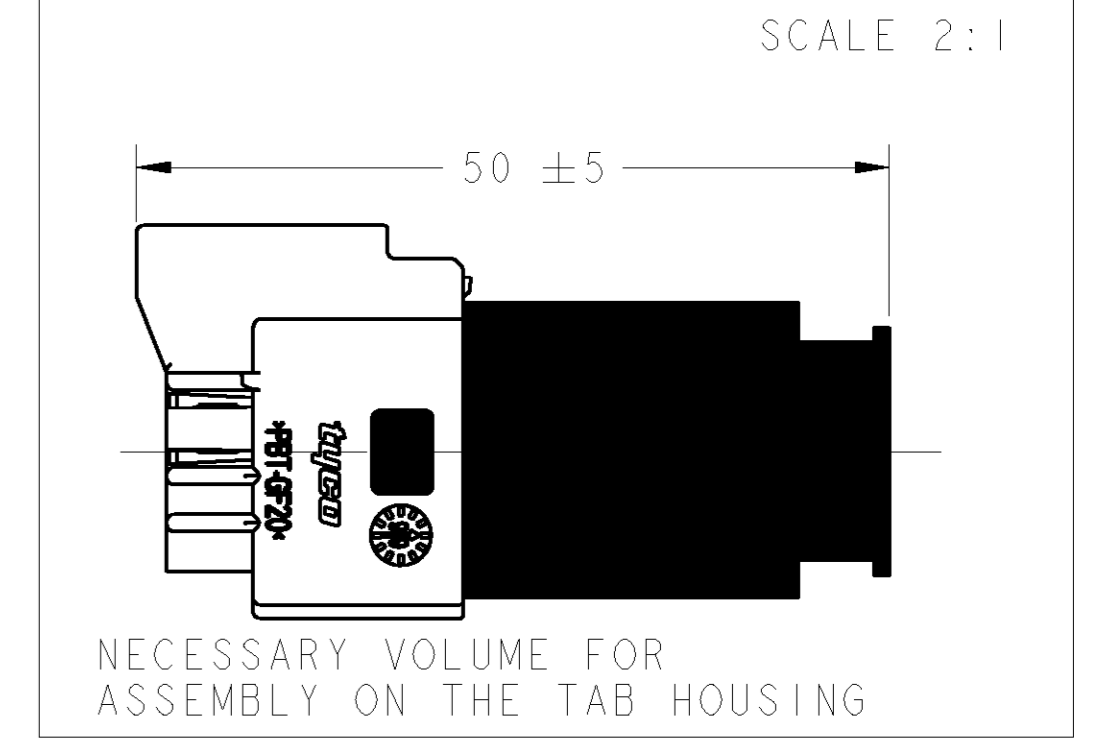
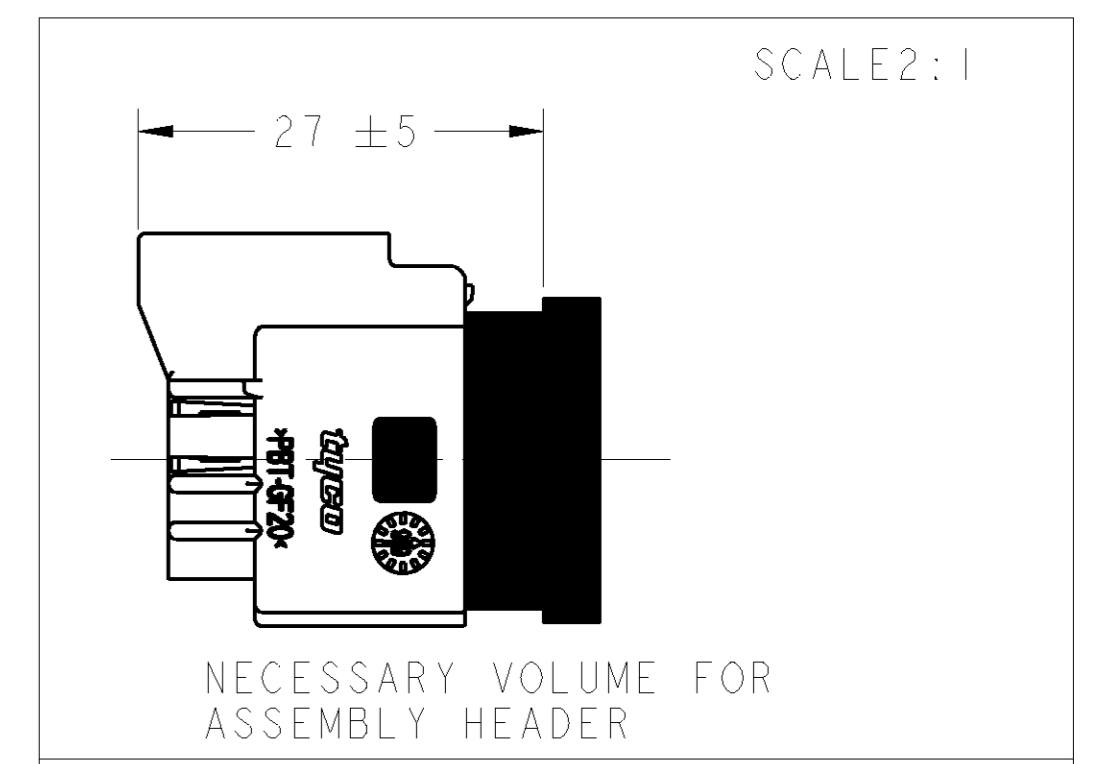


NOTA:
 1 - 1379799-1 AS SHOWN - CODING A
 2- CAVITY MARKING
 3- TE STAMP
 4- MATERIAL MARKING
 5- DATE CODE
 6- MOLD CAVITY MARKING
 7- TE PN
 8- INSTRUCTIONS SHEET 411-15670
 9- POSSIBLE AERA FOR ASSEMBLY DATE CODE
 10- PART USED WITH: SEE TABLE

REP	DESIGNATION	MATERIAL	TE PN	
			1379799-1 CODING A	1379799-2 CODING B
1	COVER	PBT FG	BLACK	BLACK
2	SOCKET HOUSING	PBT FG	BLACK	GREY
3	LOCKING DEVICE	PBT FG	GREEN	GREEN
4	INTERFACE SEAL	SILICONE	ORANGE	ORANGE

SCALE 2:1

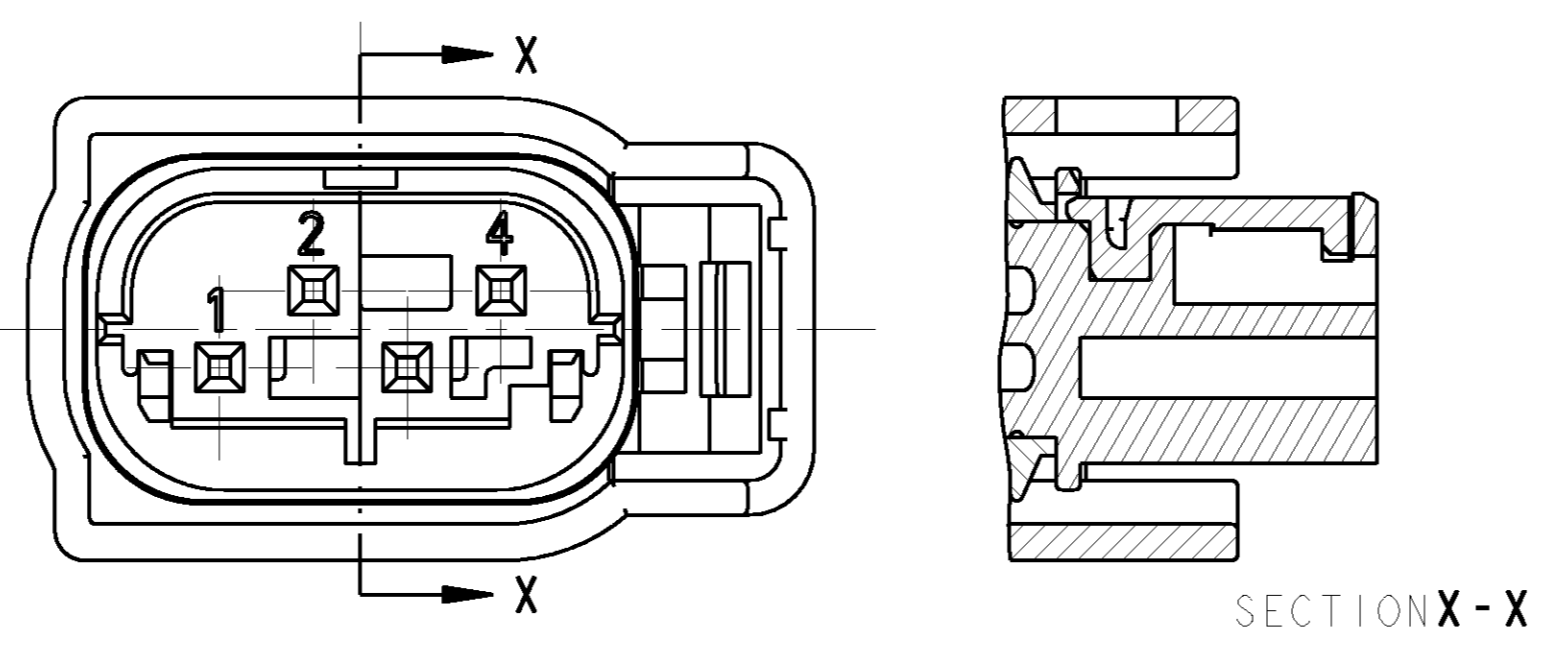
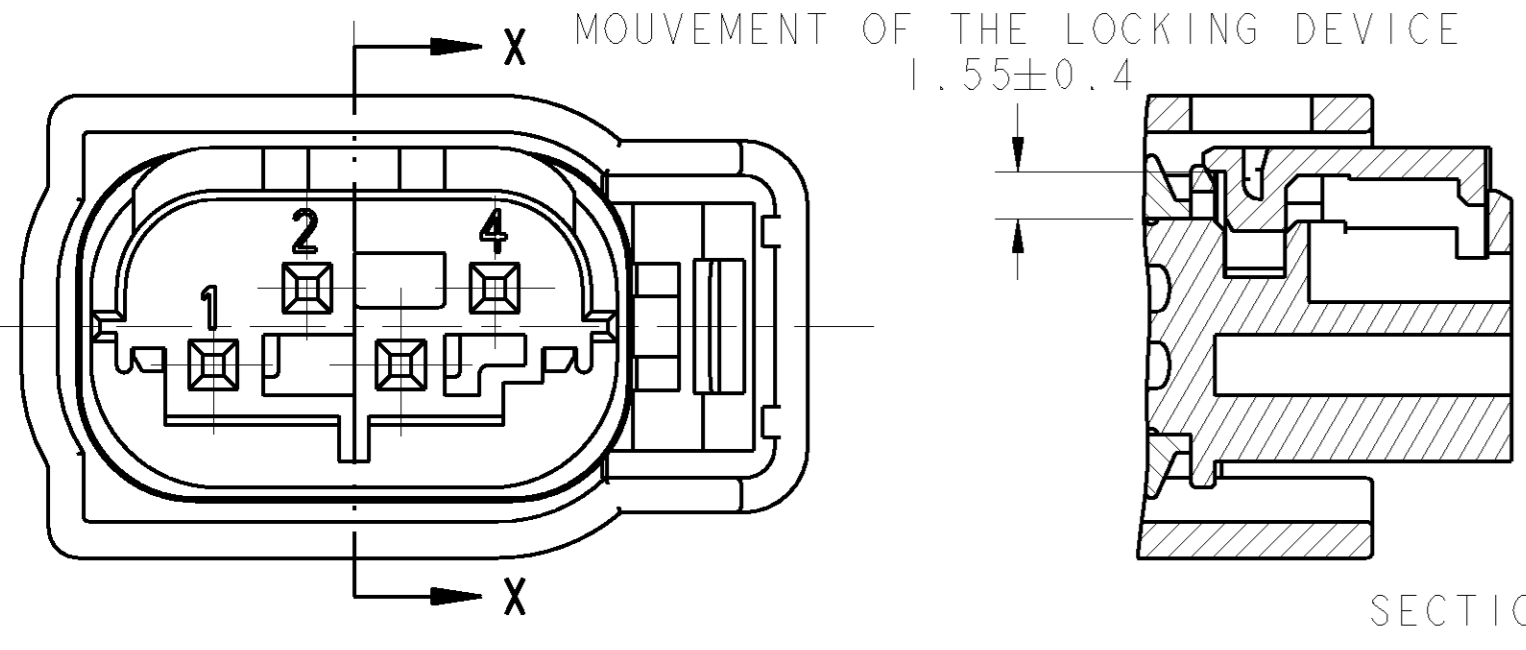
COMPONANT	REF TE
MQS SINGLE WIRE SEAL	967067-X
MQS CAVITY PLUG FOR CAVITY DIA 3.45mm	967056-X
MQS SOCKET CONTACT SINGLE WIRE SEALING FOR 0.35 TO 0.5 mm ²	962885-X
MQS SOCKET CONTACT SINGLE WIRE SEALING FOR 0.5 TO 0.75 mm ²	965906-X



POSITION OF DELEVERY
 locking device in position pre-locked

POSITION OF ASSEMBLY
 locking device locking

MOUVEMENT OF THE LOCKING DEVICE
 1.55 ± 0.4



DIMENSIONS: mm TOLERANCES UNLESS OTHERWISE SPECIFIED: mm (DECIMALS): P/LOC/DEC: ±0.2 P/LOC/DEC: ± P/LOC/DEC: ± P/LOC/DEC: ±		DWG/REV: M. POLIFONTE / 17JAN2006 X-ROUILLARD / 17JAN2006 APV/APP/REV: 1/0/0 PRODUCT SPEC: PRODUIT SPEC. PRODUIT: 108-15286 APPLICATION SPEC: APPLICATION		Tyco Electronics Tyco Electronics France SAS 95300 Pontoise, France	
MATERIAL: - FINISH: - WEIGHT: APPROX. 5g		CASE CODE: 00779 DRAWING NO: 1379799		RESTRICTED TO RESERVE A	
CUSTOMER DRAWING / PLAN CLIENT		POUP REFERENCE / POUP REFERENCE		SHEET OF REV B	

X-ON Electronics

Largest Supplier of Electrical and Electronic Components

Click to view similar products for [Automotive Connectors](#) category:

Click to view products by [TE Connectivity](#) manufacturer:

Other Similar products are found below :

[003-018-000](#) [60403001](#) [60993906-B](#) [M902-2131](#) [M902-2161](#) [M902-2344](#) [72.330.1035.1](#) [73.353.4028.0](#) [F119300-B](#) [F166900](#) [F258300-B](#)
[F358300-B](#) [F407400](#) [F444110](#) [F487000](#) [F509500B-B](#) [827153-1](#) [8N1515-32-24P](#) [9-1326729-8](#) [925474-1](#) [928905-1](#) [964562-4](#) [968782-1](#)
[GT17SA-8DS-HU](#) [98891-1012](#) [98947-1016](#) [12004147](#) [12004475-L](#) [12010290](#) [12010309-B](#) [12015454](#) [12020219-B](#) [12041318-B](#) [12052225-](#)
[L](#) [12052466](#) [12064869](#) [12004327-B](#) [12015308](#) [12015384](#) [12015909](#) [1-21030-1](#) [12041254](#) [12041318](#) [12047946-B](#) [12047957](#) [12047957-L](#)
[12059473](#) [12066261](#) [12110546](#) [12110546-B](#)