



MQS

MQS, Housing for female terminals, Wire-to-Wire, 20 Position, Black, Signal

[View on TE.com >](#)

Connectors > Automotive, Truck, Bus, & Off-Road Connectors > Connector Housings > MQS, CONNECTOR HOUSING



Connector Style: **Housing for female terminals**
 Mating Tab Width: **.63 mm, 2.8 mm [.025 in, .11 in]**
 Connector System: **Wire-to-Wire**
 Number of Positions: **20**
 Centerline (Pitch): **2.54 mm, 5.08 mm [.1 in, .2 in]**

[All MQS, CONNECTOR HOUSING \(611\)](#)

Features

Product Type Features

Connector Style	Housing for female terminals
Connector System	Wire-to-Wire
Sealable	No
Hybrid Connector	Yes
Primary Locking Feature	On the Terminal
Strain Relief	No
Row-to-Row Spacing	5.5 mm[.217 in]

Configuration Features

Number of Positions	20
Number of Rows	2

Electrical Characteristics

Nominal Voltage Architecture	12 V, 24 V
Operating Voltage	30 VDC

Body Features

Cable Exit Angle	180°
Body Material	PBT GF
Color	Black

Contact Features

Mating Tab Width	.63 mm, 2.8 mm [.025 in][.11 in]
------------------	----------------------------------

Mechanical Attachment

Terminal Position Assurance	No
Mounting Feature	Without
Polarized	Yes

Housing Features

Centerline (Pitch)	2.54 mm, 5.08 mm [.1 in][.2 in]
--------------------	---------------------------------

Dimensions

Height	13 mm [.512 in]
Length	33.6 mm [1.323 in]
Width	20.8 mm [.819 in]

Usage Conditions

Operating Temperature Range	-40 – 85 °C [-40 – 185 °F]
-----------------------------	----------------------------

Operation/Application

Circuit Application	Signal
---------------------	--------

Industry Standards

UL Flammability Rating	UL 94-HB
------------------------	----------

Packaging Features

Packaging Method	Box
------------------	-----

Other

Serviceable	No
Connector Position Assurance Capable	No

Product Compliance

[For compliance documentation, visit the product page on TE.com>](#)

EU RoHS Directive 2011/65/EU	Compliant
------------------------------	-----------


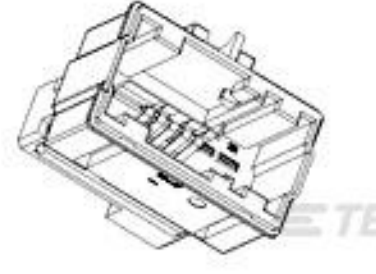
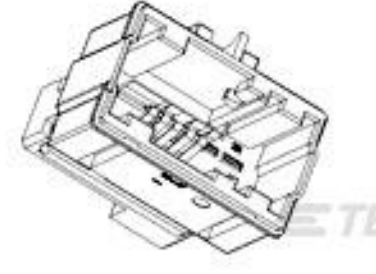


EU ELV Directive 2000/53/EC	Compliant
China RoHS 2 Directive MIIT Order No 32, 2016	No Restricted Materials Above Threshold
EU REACH Regulation (EC) No. 1907/2006	Current ECHA Candidate List: JAN 2019 (197) Candidate List Declared Against: JUL 2017 (174)
Halogen Content	Low Halogen - Br, Cl, F, I < 900 ppm per homogenous material. Also BFR/CFR/PVC Free
Solder Process Capability	Not reviewed for solder process capability

Product Compliance Disclaimer

This information is provided based on reasonable inquiry of our suppliers and represents our current actual knowledge based on the information they provided. This information is subject to change. The part numbers that TE has identified as EU RoHS compliant have a maximum concentration of 0.1% by weight in homogenous materials for lead, hexavalent chromium, mercury, PBB, PBDE, DBP, BBP, DEHP, DIBP, and 0.01% for cadmium, or qualify for an exemption to these limits as defined in the Annexes of Directive 2011/65/EU (RoHS2). Finished electrical and electronic equipment products will be CE marked as required by Directive 2011/65/EU. Components may not be CE marked. Additionally, the part numbers that TE has identified as EU ELV compliant have a maximum concentration of 0.1% by weight in homogenous materials for lead, hexavalent chromium, and mercury, and 0.01% for cadmium, or qualify for an exemption to these limits as defined in the Annexes of Directive 2000/53/EC (ELV). Regarding the REACH Regulations, TE's information on SVHC in articles for this part number is still based on the European Chemical Agency (ECHA) 'Guidance on requirements for substances in articles' (Version: 2, April 2011), applying the 0.1% weight on weight concentration threshold at the finished product level. TE is aware of the European Court of Justice ruling of September 10th, 2015 also known as O5A (Once An Article Always An Article) stating that, in case of 'complex object', the threshold for a SVHC must be applied to both the product as a whole and simultaneously to each of the articles forming part of its composition. TE has evaluated this ruling based on the new ECHA "Guidance on requirements for substances in articles" (June 2017, version 4.0) and will be updating its statements accordingly.

Compatible Parts

 <p>TE Part # 968678-2 MPQ2,8 Sn rec LL unseal. 0,35-0,5</p>	 <p>TE Part # 968074-2 MPQ2,8 Sn rec LL unseal. >0,5-1,0</p>	 <p>TE Part # 968075-2 MPQ2,8 Sn rec LL unseal. >1-2,5</p>	 <p>TE Part # 1-1379917-1 SOCKET HSG 20P MQS MPQ ASSY YELLOW</p>
 <p>TE Part # 1379917-1 SOCKET HSG 20P MQS MPQ ASSY YELLOW</p>	 <p>TE Part # 1-1379913-2 TAB HSG 20P MQS MPQ ASSY ORANGE</p>	 <p>TE Part # 1-1379913-1 TAB HSG 20P MQS MPQ ASSY YELLOW</p>	 <p>TE Part # 1379913-1 TAB HSG 20P MQS MPQ ASSY YELLOW</p>

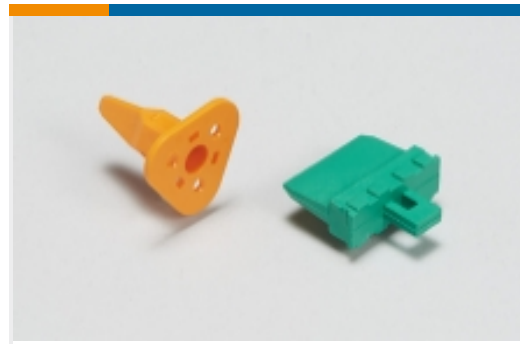
Also in the Series | MQS



Automotive Connector Caps & Covers(141)



Automotive Connector EMC Shielding(2)



Automotive Connector Locks & Position Assurance (29)



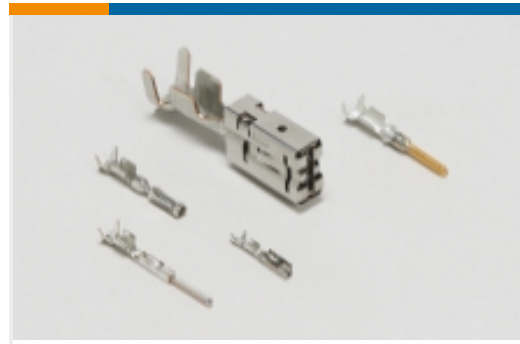
Automotive Seals & Cavity Plugs(34)



Automotive, Truck, Bus, & Off-Road Headers(212)



Automotive, Truck, Bus, & Off-Road Housings(536)



Automotive, Truck, Bus, & Off-Road Terminals(110)



Data Connectivity Headers (1)



Other Automotive Connector Accessories(13)

Customers Also Bought



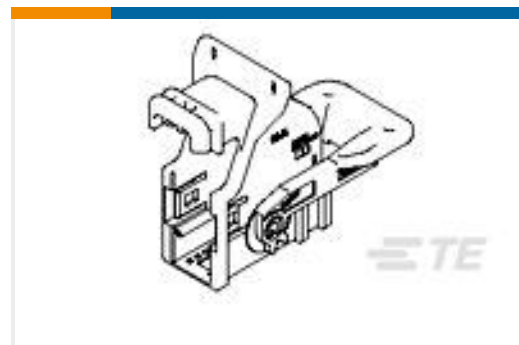
TE Part #1801175-5
2W RECEPTACLE HP
CONNECTOR GREEN



TE Part #1544106-1
CLIPS 8 MM G3 MAXI



TE Part #1-1379917-1
SOCKET HSG 20P MQS
MPQ ASSY YELLOW



TE Part #1379917-1
SOCKET HSG 20P MQS
MPQ ASSY YELLOW



TE Part #1544966-1
8MM NG1+ TERMINAL



TE Part #1544970-2
SEAL, NG9K



TE Part #1563530-1
COVER,0,FOR 32 POS
AIRBAG,ASSY,BK



TE Part #1801422-1
RECEPT HOUSING ASSY,
8MM, 2 W



Documents

Product Drawings

[SOCKET HOUSING 20 POS MQS MPQ](#)

French

CAD Files

[3D PDF](#)

3D

Customer View Model

[ENG_CVM_CVM_1379914-1_B_c-1379914-1-b.2d_dxf.zip](#)

English

Customer View Model

[ENG_CVM_CVM_1379914-1_B_c-1379914-1-b.3d_igs.zip](#)

English

Customer View Model

[ENG_CVM_CVM_1379914-1_B_c-1379914-1-b.3d_stp.zip](#)

English

Datasheets & Catalog Pages

[Micro Quadlok Interconnection System \(MQS\)](#)

English

Product Specifications

[Product Specification](#)

English

Instruction Sheets

[Instruction Sheet \(non U.S.\)](#)

English

X-ON Electronics

Largest Supplier of Electrical and Electronic Components

Click to view similar products for [Automotive Connectors](#) category:

Click to view products by [TE Connectivity](#) manufacturer:

Other Similar products are found below :

[003-018-000](#) [60403001](#) [60993906-B](#) [M902-2131](#) [M902-2161](#) [M902-2344](#) [72.330.1035.1](#) [73.353.4028.0](#) [F119300-B](#) [F166900](#) [F258300-B](#)
[F358300-B](#) [F407400](#) [F444110](#) [F487000](#) [F509500B-B](#) [827153-1](#) [8N1515-32-24P](#) [9-1326729-8](#) [925474-1](#) [928905-1](#) [964562-4](#) [968782-1](#)
[GT17SA-8DS-HU](#) [98891-1012](#) [98947-1016](#) [12004147](#) [12004475-L](#) [12010290](#) [12015454](#) [12020219-B](#) [12041318-B](#) [12052225-L](#) [12052466](#)
[12064869](#) [12004327-B](#) [12015308](#) [12015384](#) [12015909](#) [1-21030-1](#) [12041254](#) [12041318](#) [12047946-B](#) [12047957](#) [12047957-L](#) [12059473](#)
[12066261](#) [12110546](#) [12110546-B](#) [12131792](#)