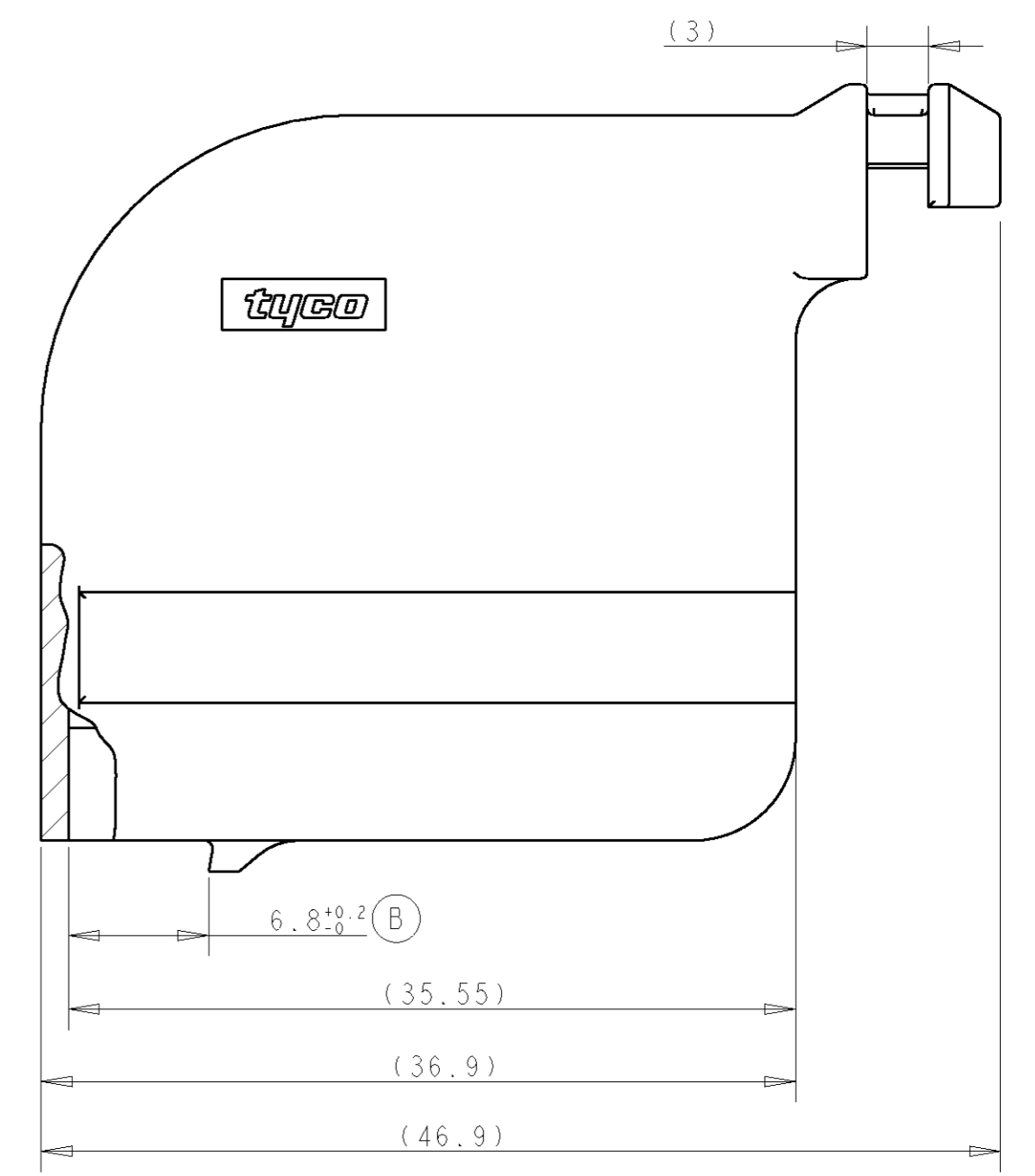
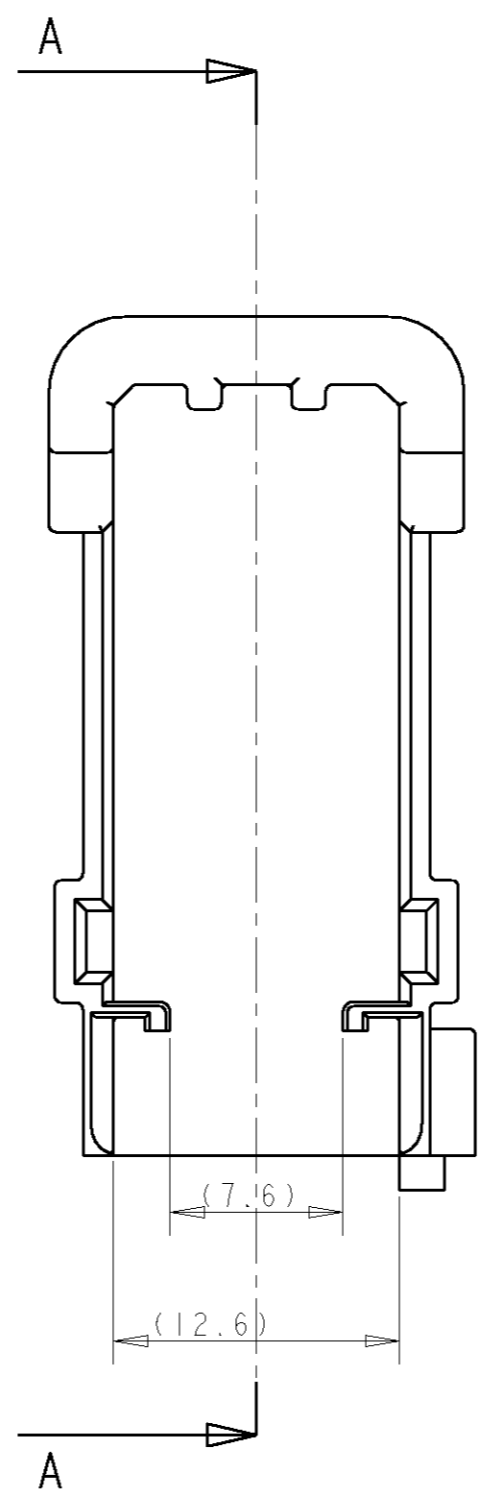
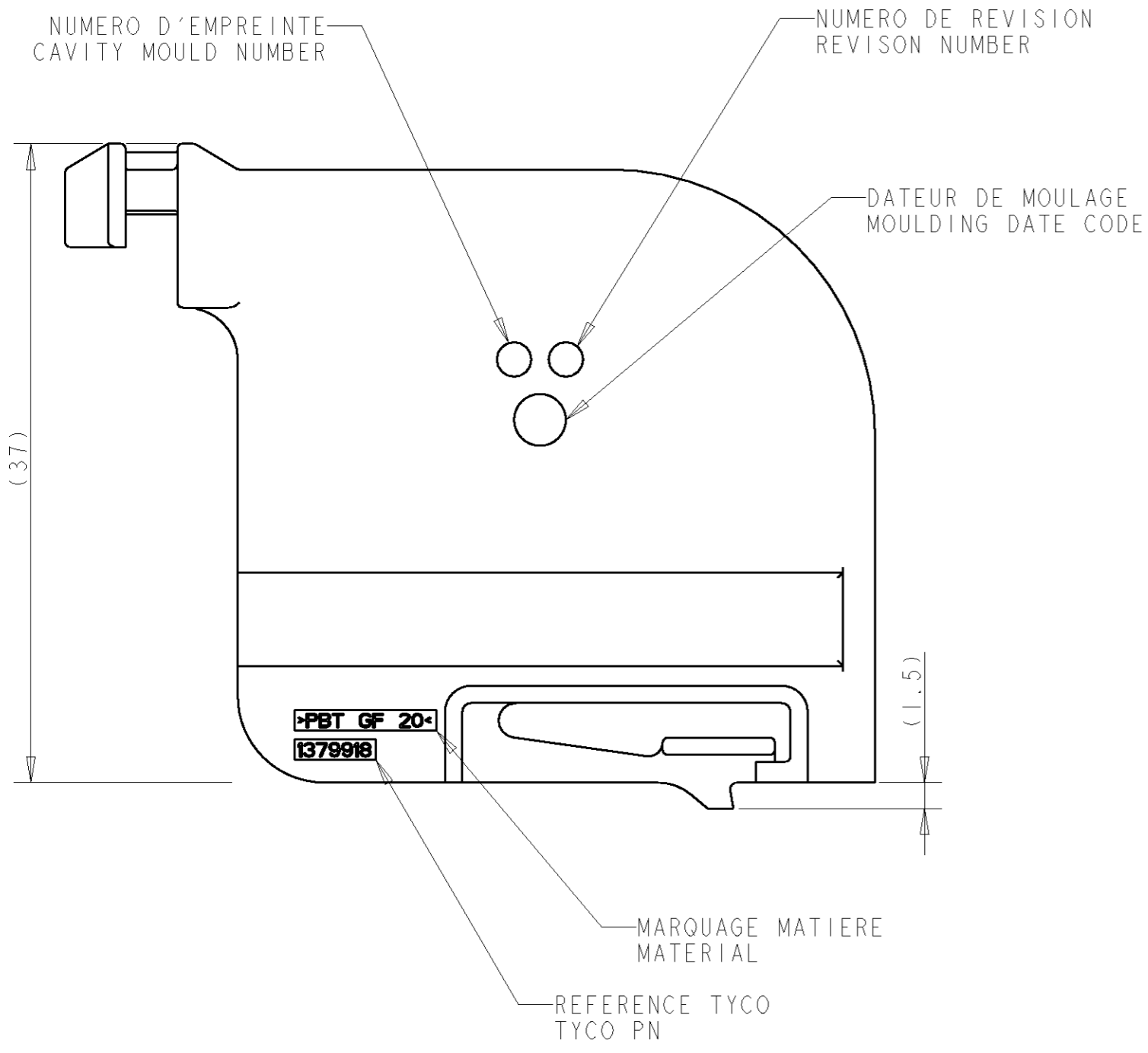
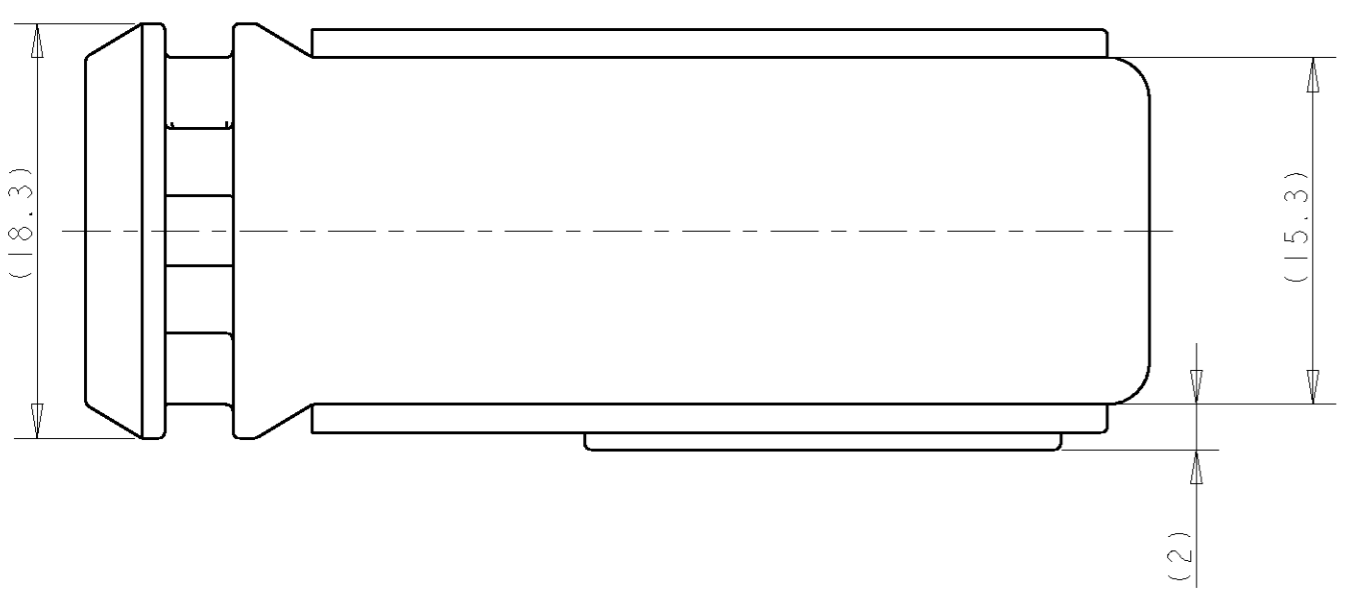


THIS DRAWING IS UNPUBLISHED. / RELEASED FOR PUBLICATION  
 DIFFUSION RESTREINTE / LIBRE A LA DIFFUSION  
 © COPYRIGHT 20 / BY TYCO ELECTRONICS CORPORATION. ALL RIGHTS RESERVED.  
 TOUS DROITS RESERVES

LOC	DIST	REVISIONS					
F	00	P	LTR	DESCRIPTION MODIFICATIONS	DATE	DWN DESS.	APVD APP.
		A		RELEASE	20SEP2005	AB	XR
		B		SEE BUBBLE B	27JAN2006	AB	XR



COUPE A - A



REFERENCE TYCO TYCO PN	COULEUR COLOUR	MATIERE MATERIAL
1379918-1	NOIR BLACK	PBT 20% FV PBT 20% FG

NOTES :

- 1 - PIECE A UTILISER AVEC/PART TO USE WITH:  
 - LANGUETTES/TAB MQS REF 928918-X ET/AND MPQ 1355933-X  
 - PORTE-LANGUETTES/TAB HOUSING 20 VOIES MQS MPQ HYBRIDES X-1379913-X
- 3 - CAHIER DE PRECONISATIONS/REQUIREMENT SHEET : 411-15698

THIS DRAWING IS A CONTROLLED DOCUMENT FOR TYCO ELECTRONICS CORPORATION IT IS SUBJECT TO CHANGE AND THE CONTROLLING ENGINEERING ORGANIZATION SHOULD BE CONTACTED FOR THE LATEST REVISION. CE PLAN EST UN DOCUMENT CONTROLÉ PAR TYCO ELECTRONICS. IL EST SUSCEPTIBLE D'ÊTRE REVISÉ. CONTACTER LE SERVICE TECHNIQUE DE TYCO ELECTRONICS POUR OBTENIR LA DERNIÈRE RÉVISION.		DWN /DESSINE A. BARLEMONT 27FEB2004	tyco Electronics		TYCO ELECTRONICS France SAS BP 30039, 95301 CERGY-PONTOISE Cedex
DIMENSIONS: mm		CHK /VERIFIE M. POLIFONTE 27FEB2004	NAME TITRE		CAPOT POUR PORTE-LANGUETTES 20 VOIES HYBRIDE
TOLERANCES UNLESS OTHERWISE SPECIFIED: TOLERANCES NON SPECIFIEES (SUIV. NR. DE DECIMALES)		APVD /APPROUVE X. ROULLIARD 27FEB2004	PRODUCT SPEC SPEC. PRODUIT 108-15343		RESTRICTED TO RESERVE A
MATERIAL/MATIERE		APPLICATION SPEC SPEC. APPLICATION 411-15698	SIZE FORMAT A2	CAGE CODE 00779	DRAWING NO No PLAN C-1379918
VOIR TABLEAU		WEIGHT MASSE APPROX. 7 g	UNIFORMENT POUR REFERENCE	SCALE ECHELLE 3:1	SHEET FEUILLE
		CUSTOMER DRAWING /PLAN CLIENT			OF DE
					REV B

## X-ON Electronics

Largest Supplier of Electrical and Electronic Components

*Click to view similar products for [Automotive Connectors](#) category:*

*Click to view products by [TE Connectivity](#) manufacturer:*

Other Similar products are found below :

[003-018-000](#) [60403001](#) [60993906-B](#) [M902-2131](#) [M902-2161](#) [72.330.1035.1](#) [73.353.4028.0](#) [F119300-B](#) [F166900](#) [F258300-B](#) [F358300-B](#)  
[F407400](#) [F444110](#) [F487000](#) [F509500B-B](#) [827153-1](#) [8N1515-32-24P](#) [9-1326729-8](#) [925474-1](#) [928905-1](#) [964562-4](#) [968782-1](#) [GT17SA-8DS-](#)  
[HU](#) [98891-1012](#) [98947-1016](#) [12004147](#) [12004475-L](#) [12010290](#) [12010309-B](#) [12015454](#) [12020219-B](#) [12020308](#) [12041318-B](#) [12052225-L](#)  
[12052466](#) [12059125](#) [12064869](#) [12004327-B](#) [12010503-B](#) [12015308](#) [12015384](#) [12015909](#) [1-21030-1](#) [12041254](#) [12041318](#) [12047946-B](#)  
[12047957](#) [12047957-L](#) [12059473](#) [12066261](#)