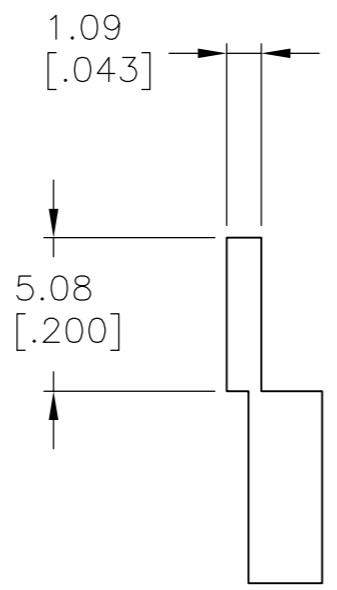
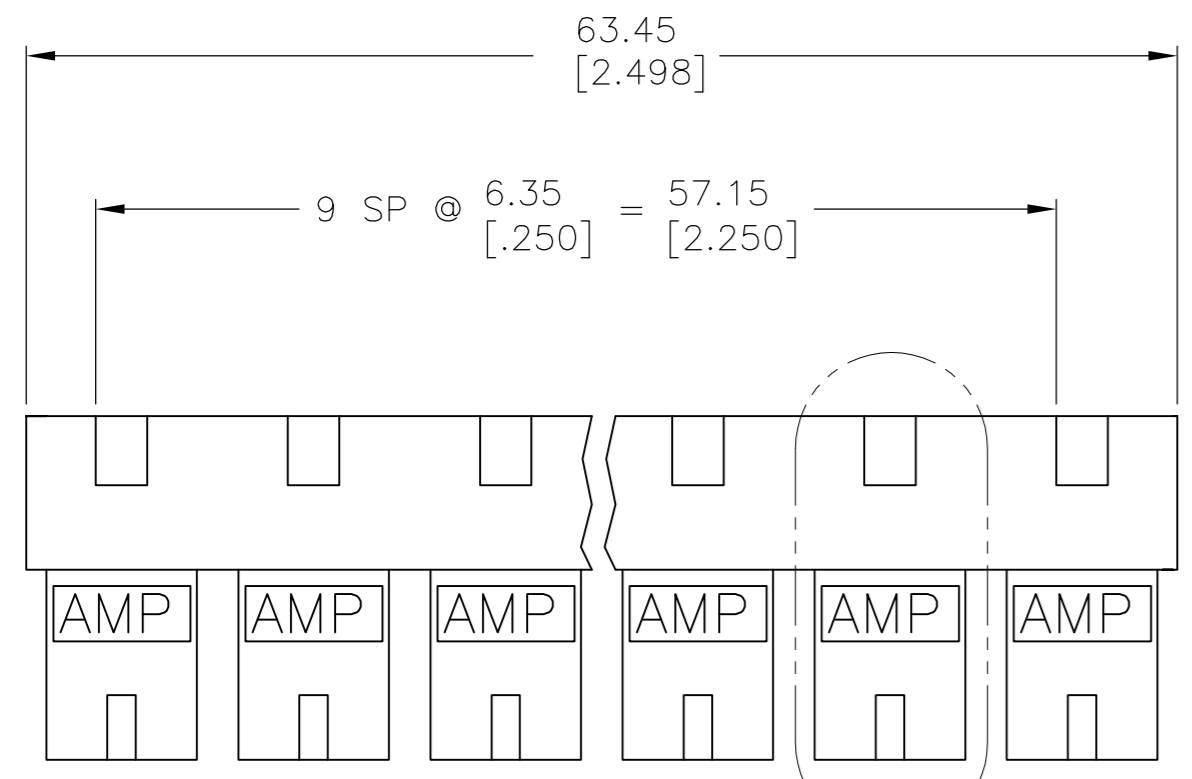


THIS DRAWING IS UNPUBLISHED. RELEASED FOR PUBLICATION  
 © COPYRIGHT - By - ALL RIGHTS RESERVED.

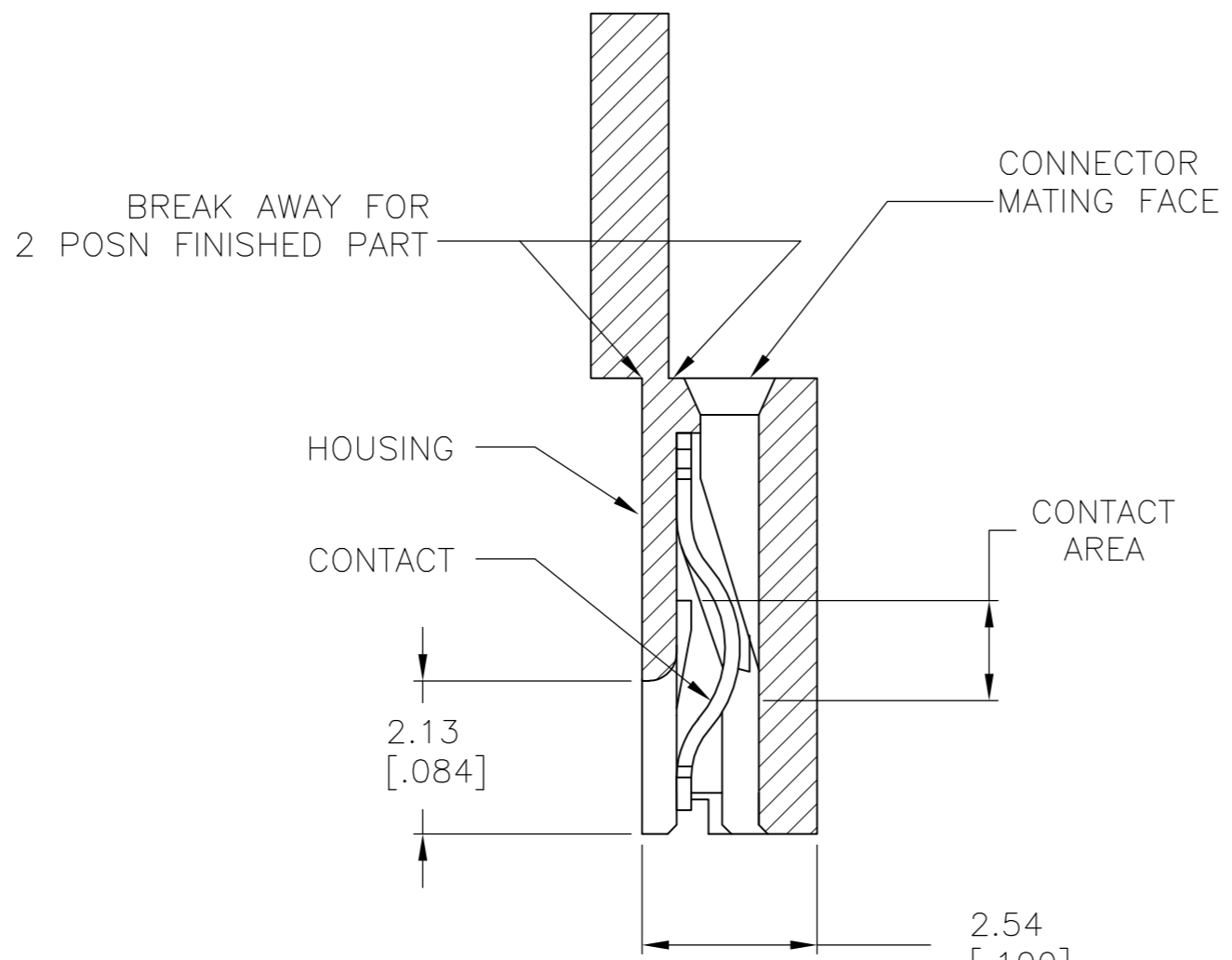
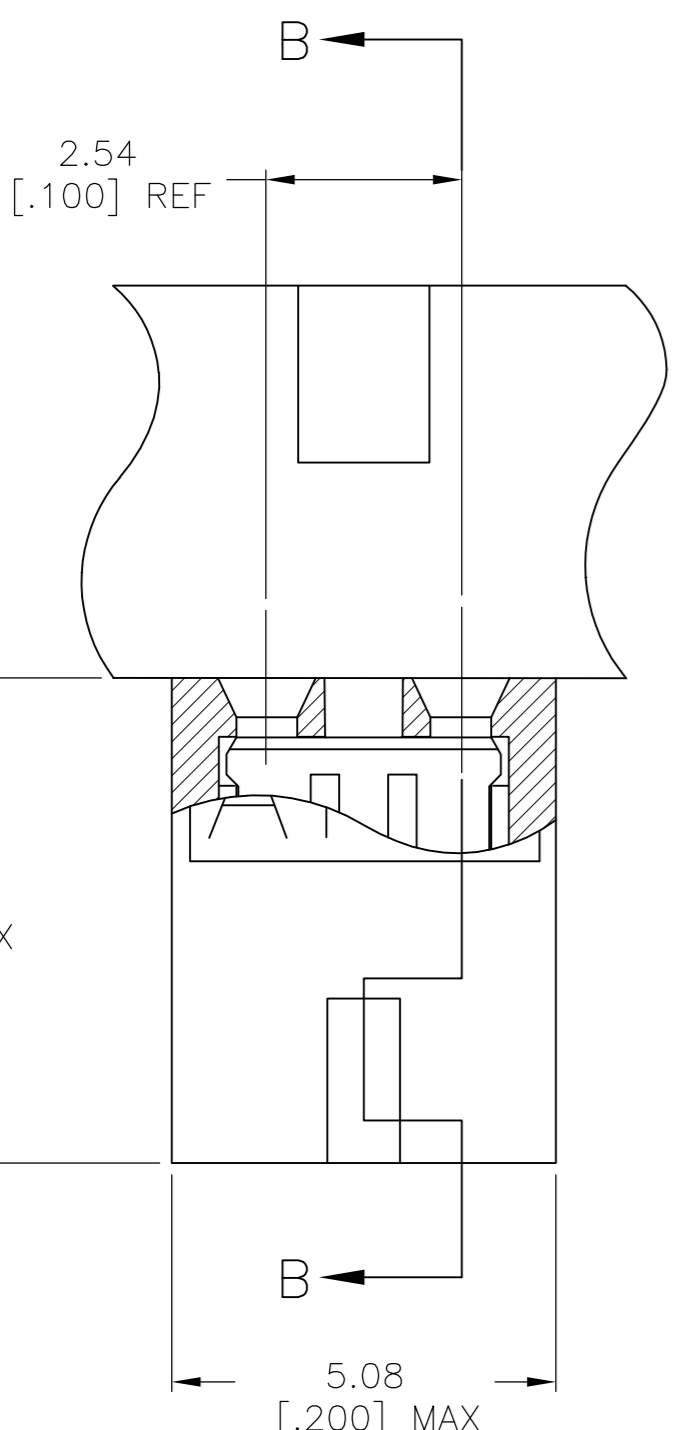
LOC	DIST	REVISIONS					
AG	53	P	LTR	DESCRIPTION	DATE	DWN	APVD
		L		REVISED PER ECO-15-006927	17JUN2015	NK	MM



- 7 PART NO. DENOTES INDIVIDUAL TWO POSITION SHUNT WHICH IS PACKAGED LOOSE PIECE.
- 8 CONTACT PLATED WITH 0.00076[.000030] GOLD IN CONTACT AREA OVER 0.00127[.000050] NICKEL OVERALL.
- 9 CONTACT PLATED WITH 0.00254[.000100] MATTE TIN OVER ALL.

- 1 MATERIAL: HOUSING: GLASS-FILLED POLYESTER, COLOR-SEE TABLE.
- 2 CONTACT PLATED WITH 0.00254[.000100] TIN-LEAD OVER ALL.
- 3 CONTACT PLATED WITH 0.00038[.000015] GOLD IN CONTACT AREA OVER 0.00127[.000050] NICKEL OVER ALL.
- 4 PART NO. DENOTES INDIVIDUAL TWO POSITION SHUNT, WHICH IS PACKAGED ON BREAKAWAY COMBS OF TEN SHUNTS.
- 5 CONNECTOR MATES WITH WIRE WRAP POSTS, 0.64[.025] SQUARE OR ROUND AND 0.56[.022] X 0.66[.026] POSTS. LENGTH 5.08[.200] MINIMUM.
- 6 CONTACT PLATED WITH 0.00013[.000005] GOLD IN CONTACT AREA OVER 0.00127[.000050] NICKEL OVER ALL.

SEE DETAIL A



DETAIL A  
SCALE 10:1

SECTION B-B  
SCALE 10:1

CONTACT MATERIAL	HOUSING COLOR	FINISH	PART NO
PHOSPHOR BRONZE	BLACK	9	2-382811-1 4
PHOSPHOR BRONZE	BLACK	8	2-382811-0 4
PHOSPHOR BRONZE	BLACK	2	1-382811-9 7
PHOSPHOR BRONZE	BLACK	6	1-382811-8 7
PHOSPHOR BRONZE	RED	2	1-382811-7 4
PHOSPHOR BRONZE	BLACK	3	1-382811-6 7
PHOSPHOR BRONZE	BLACK	8	1-382811-5 7
PHOSPHOR BRONZE	RED	8	1-382811-4 4
PHOSPHOR BRONZE	BLUE	8	1-382811-3 4
PHOSPHOR BRONZE	BLACK	9	1-382811-2 7
PHOSPHOR BRONZE	BLUE	9	1-382811-1 4
OBSELETE BERYLLIUM COPPER	BLACK	3	1-382811-0 4
PHOSPHOR BRONZE	RED	3	382811-9 4
PHOSPHOR BRONZE	BLACK	6	382811-8 4
PHOSPHOR BRONZE	RED	9	382811-7 4
PHOSPHOR BRONZE	BLACK	3	382811-6 4
PHOSPHOR BRONZE	BLACK	2	382811-5 4
PHOSPHOR BRONZE	BLUE	6	382811-4 4
PHOSPHOR BRONZE	RED	6	382811-3 4
PHOSPHOR BRONZE	BLUE	3	382811-2 4
PHOSPHOR BRONZE	BLUE	2	382811-1 4

THIS DRAWING IS A CONTROLLED DOCUMENT.

DIMENSIONS: mm [INCHES]	TOLERANCES UNLESS OTHERWISE SPECIFIED: 0 PLC ± - 1 PLC ± - 2 PLC ± 0.26 [.010] 3 PLC ± - 4 PLC ± - ANGLES ± -	DWN W. SORAH 8-18-93 CHK R. TALLEY 8-23-93 APVD D. HUFFMAN 8-23-93	TE Connectivity <b>STE</b>
MATERIAL HOUSING CONTACT: SEE TABLE	FINISH SEE TABLE	PRODUCT SPEC 108-1476 APPLICATION SPEC 114-1059	ECONOMY SHUNT ASSEMBLY
CUSTOMER DRAWING		WEIGHT -	SIZE A2 CAGE CODE 00779 DRAWING NO C=382811 RESTRICTED TO -
		SCALE 4:1	SHEET 1 OF 1 REV L

## X-ON Electronics

Largest Supplier of Electrical and Electronic Components

*Click to view similar products for [Headers & Wire Housings](#) category:*

*Click to view products by [TE Connectivity](#) manufacturer:*

Other Similar products are found below :

[892-18-020-10-001101](#) [58102-G61-06LF](#) [582553-1](#) [0009485154](#) [009176003701906](#) [0050291907](#) [LY20-4P-DT1-P1E-BR](#) [02.125.8002.8](#)  
[609-3404](#) [61062-3](#) [61082-181009](#) [622-3653LF](#) [63453-116](#) [636-1030](#) [636-1427](#) [636-3427](#) [636-4007](#) [641938-9](#) [641991-4](#) [644827-2](#) [65817-](#)  
[010LF](#) [65817-015LF](#) [65863-015LF](#) [66207-023LF](#) [67095-007LF](#) [67601157](#) [68645-018](#) [68648-049](#) [70.362.1628.0](#) [70-4210](#) [70-4226B](#) [70-](#)  
[4853B](#) [707-5020](#) [707-5028](#) [71.350.2428.0](#) [71918-208LF](#) [71961-016LF](#) [733-134](#) [733-162](#) [754199-000](#) [760-3052](#) [787-8014-00](#) [79531-3000](#)  
[FCN-360C032-B](#) [FCN-367T-T012/H](#) [FCN-723D010/2](#) [80.063.4001.1](#) [800-90-001-10-001000](#) [800-90-010-10-002000](#) [801-43-002-10-013000](#)