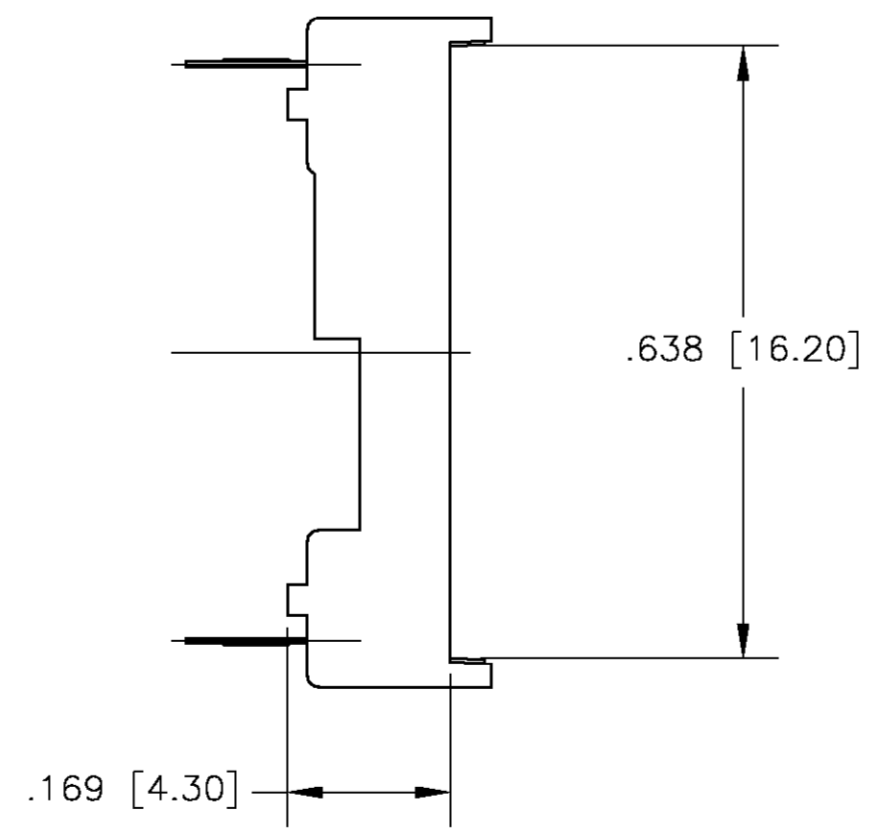
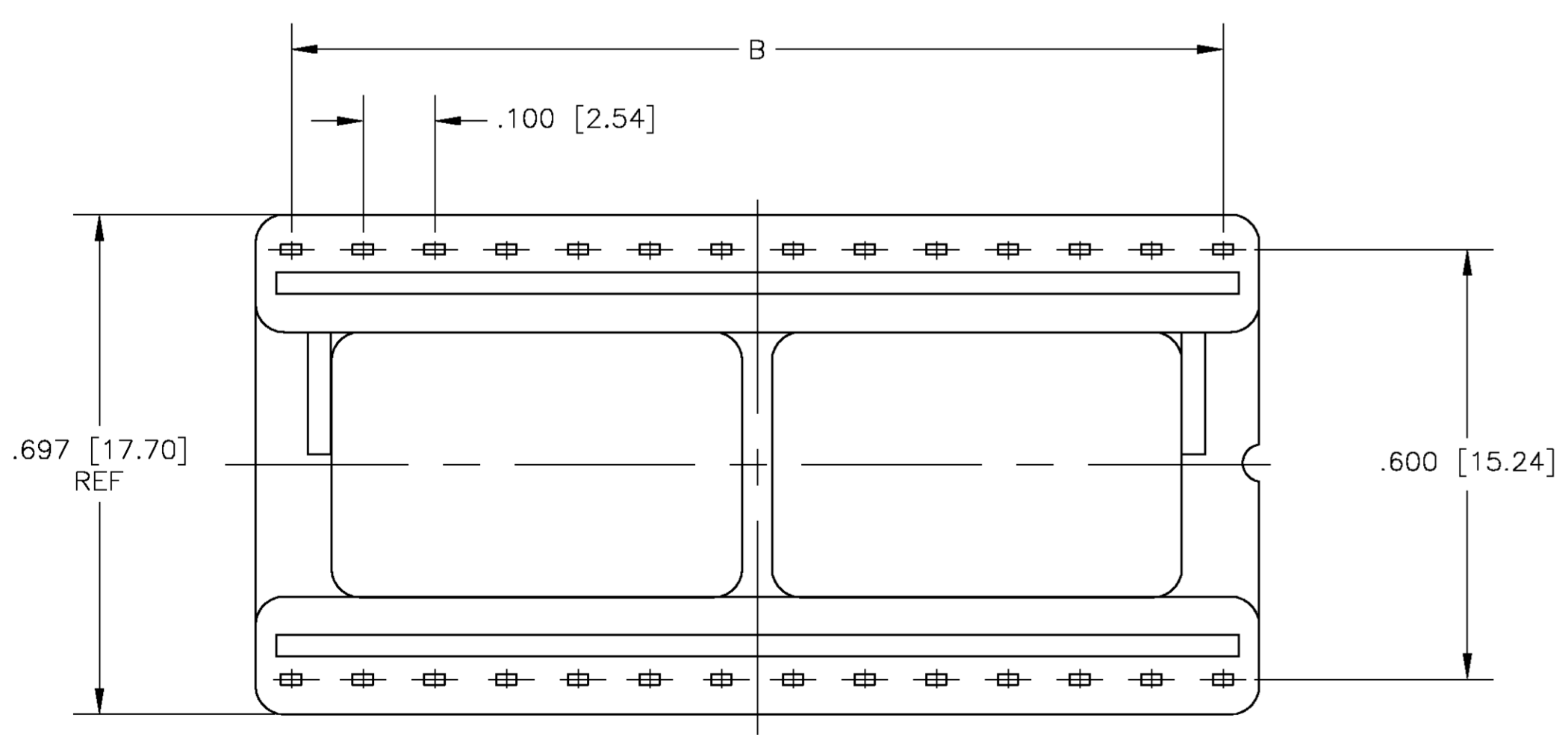
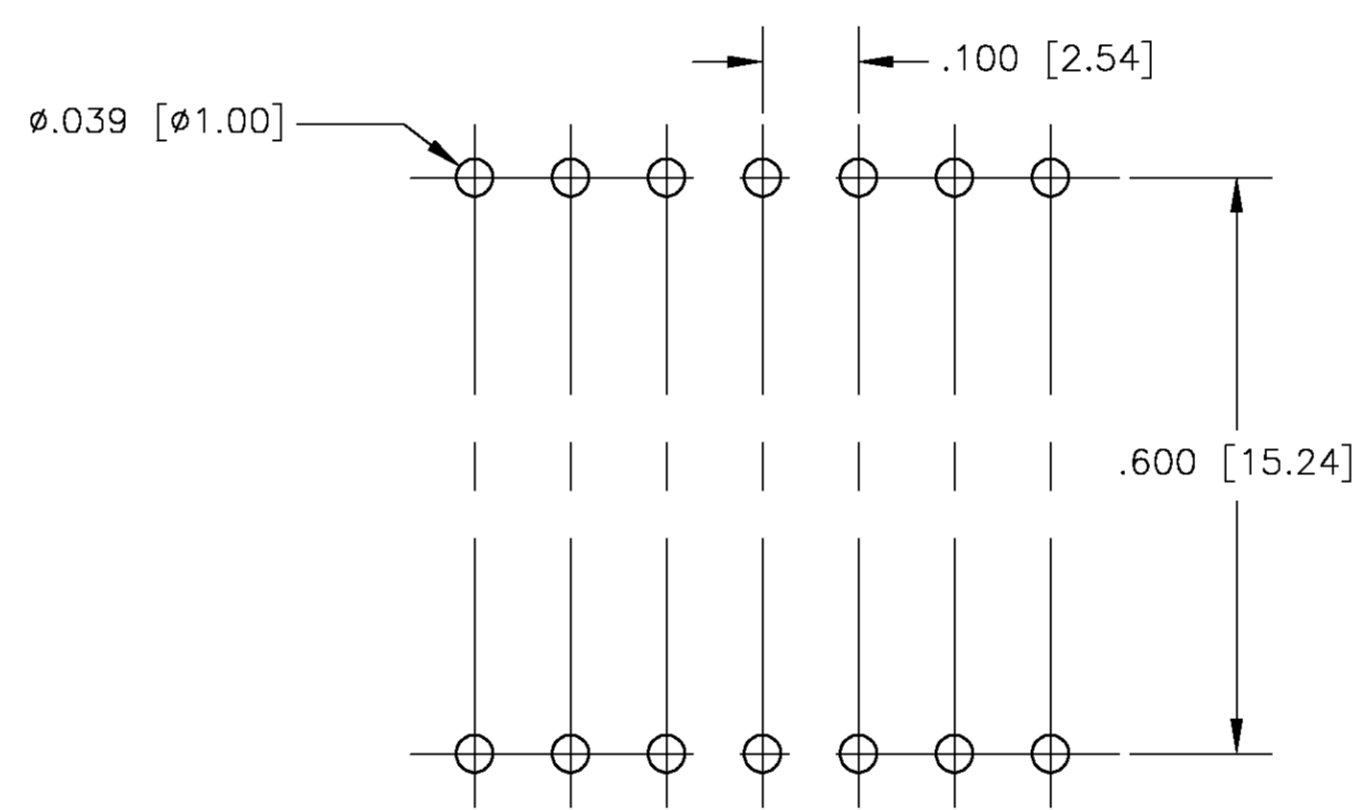
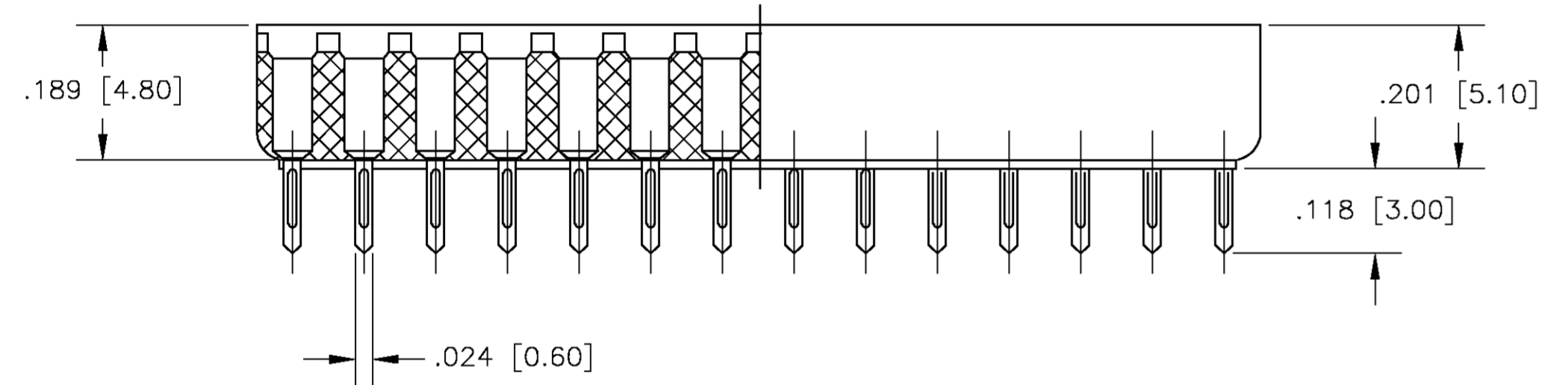


SECTION D-D

NOTE:-

1. MATERIAL:
HOUSING: 30% GLASS FILLED PBT, THERMOPLASTIC, BLACK.
CONTACT: PHOS BRONZE
2. FINISH: CONTACT PLATING: TIN-LEAD (60u INCHES MIN.)
SOLDERABILITY :95% COVERAGE MIN.;
TEST TEMPERATURE=230°C±5°C
TEST TIME = 5±5 SECONDS.
3. MECHANICAL SPECS:
DURABILITY: 50 CYCLES MIN.
INSERTION FORCE:300 GRAMS MAX.
WITHDRAWAL FORCE: 20 GRAMS MIN.
CONTACT RETENTION: 500 GRAMS MIN.
ACCEPTS: 0.20-0.30 [.008-.012] LEADS
4. ELECTRICAL SPECS:
VOLTAGE RATING: 250V AC,DC
CONTACT RESISTANCE: 20 MILLOHMS MAX.
CURRENT RATING: 1 AMPERE AC,DC
INSULATION RESISTANCE: 1000 MEGOHMS MIN.
DIELECTRIC WITHSTANDING VOLTAGE: AC 1000 V MIN.
OPERATING TEMPERATURE: -40°C TO +105°C
6. AMP LOGO
7. FINISH: CONTACT PLATING TIN (LEAD FREE); 60 UIN MIN. OVER 30 UIN NI
SOLDERABILITY :95% COVERAGE MIN.;
TEST TEMPERATURE=260°±5°C;
TEST TIME = 5±5 SECONDS.



FINISH	POS	A±0.20 [.008]	B±0.10 [.004]	C±0.15 [.004]	PART NO.
2	24	30.48 [1.200]	27.94 [1.100]	25.10 [.988]	390262-1
2	28	35.56 [1.400]	33.02 [1.300]	30.12 [1.19]	390262-2
2	32	40.64 [1.600]	38.10 [1.500]	35.20 [1.39]	390262-3
2	40	50.80 [2.000]	48.26 [1.900]	45.36 [1.79]	390262-5
2	42	53.34 [2.100]	50.08 [1.97]	47.90 [1.89]	390262-6
2	48	60.96 [2.400]	58.42 [2.300]	55.52 [2.19]	390262-7
7	24	30.48 [1.200]	27.94 [1.100]	25.10 [.988]	1-390262-1
7	28	35.56 [1.400]	33.02 [1.300]	30.12 [1.19]	1-390262-2
7	32	40.64 [1.600]	38.10 [1.500]	35.20 [1.39]	1-390262-3
7	40	50.80 [2.000]	48.26 [1.900]	45.36 [1.79]	1-390262-5
7	42	53.34 [2.100]	50.08 [1.97]	47.90 [1.89]	1-390262-6
7	48	60.96 [2.400]	58.42 [2.300]	55.52 [2.19]	1-390262-7

THIS DRAWING IS A CONTROLLED DOCUMENT.

DIMENSIONS: INCHES	TOLERANCES UNLESS OTHERWISE SPECIFIED:	DWN: BSV	07SEP2004	Tyco Electronics Corporation Harrisburg, Pa 17105-3808
0 PL ±	1 PL ±	CHK: -	APVD: -	
2 PL ±	3 PL ±	NAME: -		DIP SOCKET, .600 CENTER LINE LADDER STYLE
4 PL ±	ANGLES ±	PRODUCT SPEC: -		
MATERIAL: 1	FINISH: 2	APPLICATION SPEC: -		RESTRICTED TO: -
CUSTOMER DRAWING		SIZE: A1	CAGE CODE: 00779	DRAWING NO: 390262
		SCALE: 5:1	SHEET: 1 OF 1	REV: H

X-ON Electronics

Largest Supplier of Electrical and Electronic Components

Click to view similar products for te connectivity manufacturer:

Other Similar products are found below :

[570416-000](#) [CLTEQ-M81CE-SSRELAY-4-20V](#) [4-1633138-8](#) [1-2217206-1](#) [D38999/24FJ4AN](#) [358838-000](#) [4-1195131-0](#) [650069-000](#)
[SMD100-2](#) [CB-1022B-78](#) [RM707012](#) [RP410012](#) [MMS42](#) [1-640426-8](#) [2EDL4CM](#) [DTS20W19-11PD-3028](#) [DTS20W19-11PD-3028-LC](#)
[DTS20W19-32SD-3028-LC](#) [DTS20W19-32SD-3028](#) [RM202615](#) [NC6-P104-06](#) [TXR64AB90-3616AI](#) [MSPS103B](#) [DTS26F21-41HE](#)
[DTS26F21-41AE](#) [DTS26F21-41PE-LC](#) [DTS26F21-11SE-3028-LC](#) [1932144-1](#) [293545-4](#) [LVR125S](#) [MS27466T25F4PB](#) [CKB-38-78010](#)
[1206SFF150F/63-2](#) [5-2027513-8](#) [D38999/20JB35HA](#) [D38999/24WJ20PA](#) [1754138-1](#) [TE1500A2R2J](#) [DTS24F25-29PC-3028-LC](#) [164-8033-](#)
[08](#) [D38999/24WG11HA](#) [D38999/24WG11HN](#) [MS27467T21F11H](#) [DJT16E21-11HA](#) [1206SFH150F/24-2](#) [1-532955-3](#) [DTS20W19-32SA-](#)
[3028-LC](#) [DTS24F19-11SC-3028-LC](#) [DTS24F19-11SC-3028](#) [D38999/20WC8BB](#)