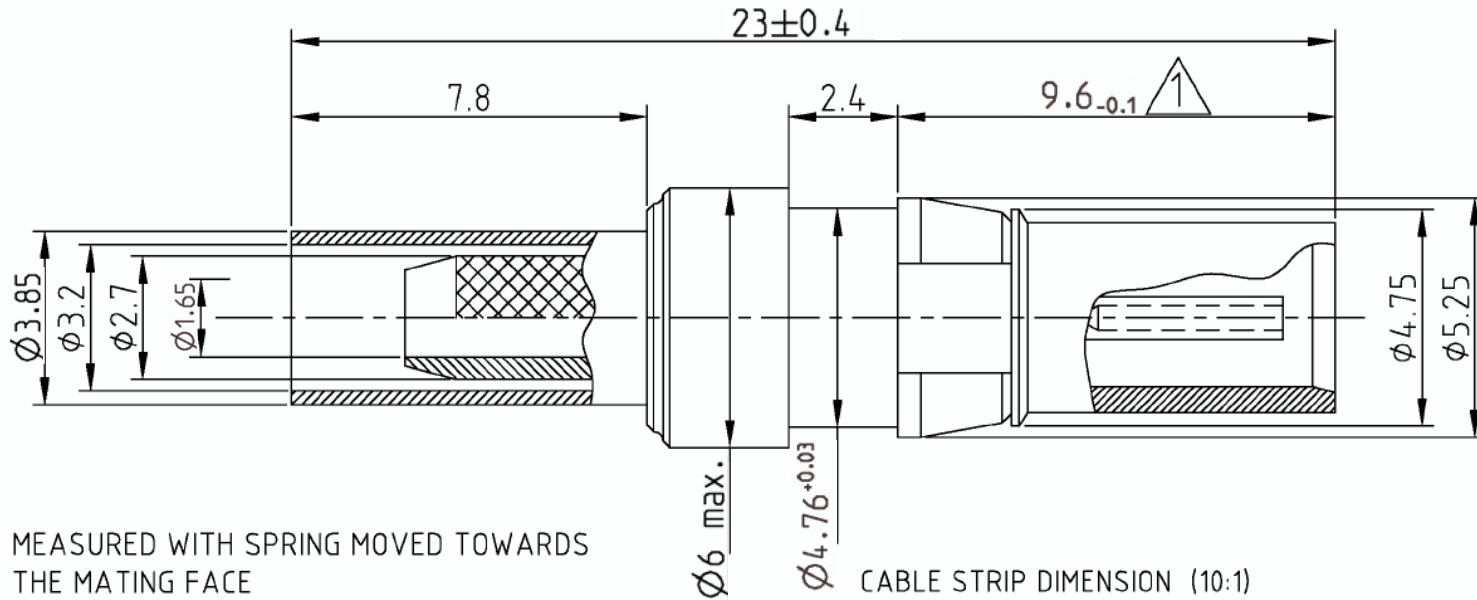


P	LTR	DESCRIPTION	DATE	DWN	APVD
A1		Update drawing	11MAR2009	MS	DB

# 1392020-1 AS SHOWN



MEASURED WITH SPRING MOVED TOWARDS THE MATING FACE

- STANDARD: ACCORDING TO DIN 41626, PART 2
- SPRING CONTACT: BERYLLIUM - COPPER
- CONTACT PLATING: GOLD
- DIELECTRIC: PTFE
- FULL CRIMP CENTER CONTACT: SQ 0.7
- OUTER CONDUCTOR: HEX 3.2

General tolerances ISO 2768-mH.

<small>THIS DRAWING IS A CONTROLLED DOCUMENT FOR TYCO ELECTRONICS CORPORATION IT IS SUBJECT TO CHANGE AND THE CONTROLLING ENGINEERING ORGANIZATION SHOULD BE CONTACTED FOR THE LATEST REVISION.</small>		DWN K.Donnet	27SEP00	Tyco Electronics Lugano - Switzerland	
DIMENSIONS: mm		CHK K.Mattheeuws	27SEP00	NAME COAX INSERT CABLE JACK FOR CABLE RG 316 / RG 174 / RG 188 DIN 1.0 / 2.3	
TOLERANCES UNLESS OTHERWISE SPECIFIED: 0 PLC ±: 1 PLC ±: 2 PLC ±: 3 PLC ±: 4 PLC ±: ANGLES ±°		APVD -	PRODUCT SPEC -	APPLICATION SPEC 114-90006	RESTRICTED TO -
MATERIAL -		FINISH -		SIZE A3	CAGE CODE 00779
CUSTOMER DRAWING				DRAWING NO C=1392020	SCALE 10:1
				SHEET 1	OF 1
				REV A1	

## X-ON Electronics

Largest Supplier of Electrical and Electronic Components

*Click to view similar products for [DIN 41612 Connectors](#) category:*

*Click to view products by [TE Connectivity](#) manufacturer:*

Other Similar products are found below :

[004.767](#) [608489050008049](#) [691327-1](#) [74670-0732](#) [74680-0340](#) [75880-0015](#) [76453-0014](#) [86093159ALF](#) [9732967801](#) [QLC260R](#)  
[120X10019X](#) [120X10089X](#) [122A10249X](#) [122A11089X](#) [122A13089X](#) [122A10089X](#) [122A10129X](#) [122A10349X](#) [122A13359X](#) [1377391-4](#)  
[DIN-048CPC-SR1-MH](#) [1393583-2](#) [1393726-7](#) [140X10129X](#) [143-1913-000](#) [143-1908-000](#) [1484472-1](#) [2110070-1](#) [2110070-2](#) [CBC20T00-](#)  
[008FDS5-0-1-002VR](#) [172699-5036](#) [2-1393557-4](#) [2-1437084-2](#) [394506](#) [419-2080-402](#) [419-2085-302](#) [V42254B2202C968](#) [419-2086-201](#) [419-](#)  
[2087-002](#) [448657-1](#) [448847-3](#) [5-1393755-9](#) [02990000004](#) [033020](#) [054302](#) [043556](#) [0760557108](#) [09062483201750](#) [0850033067](#)  
[09031646555](#)