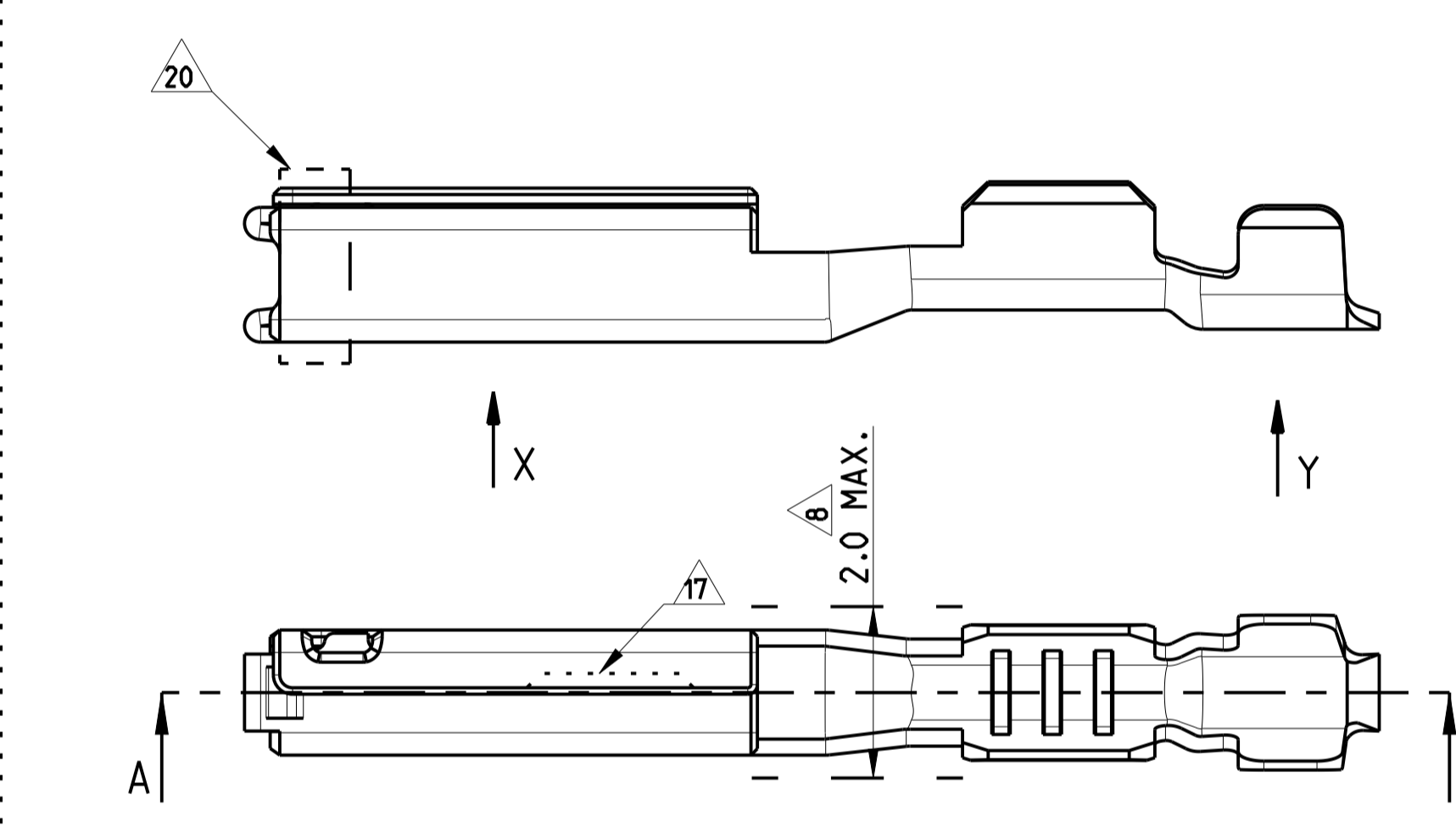
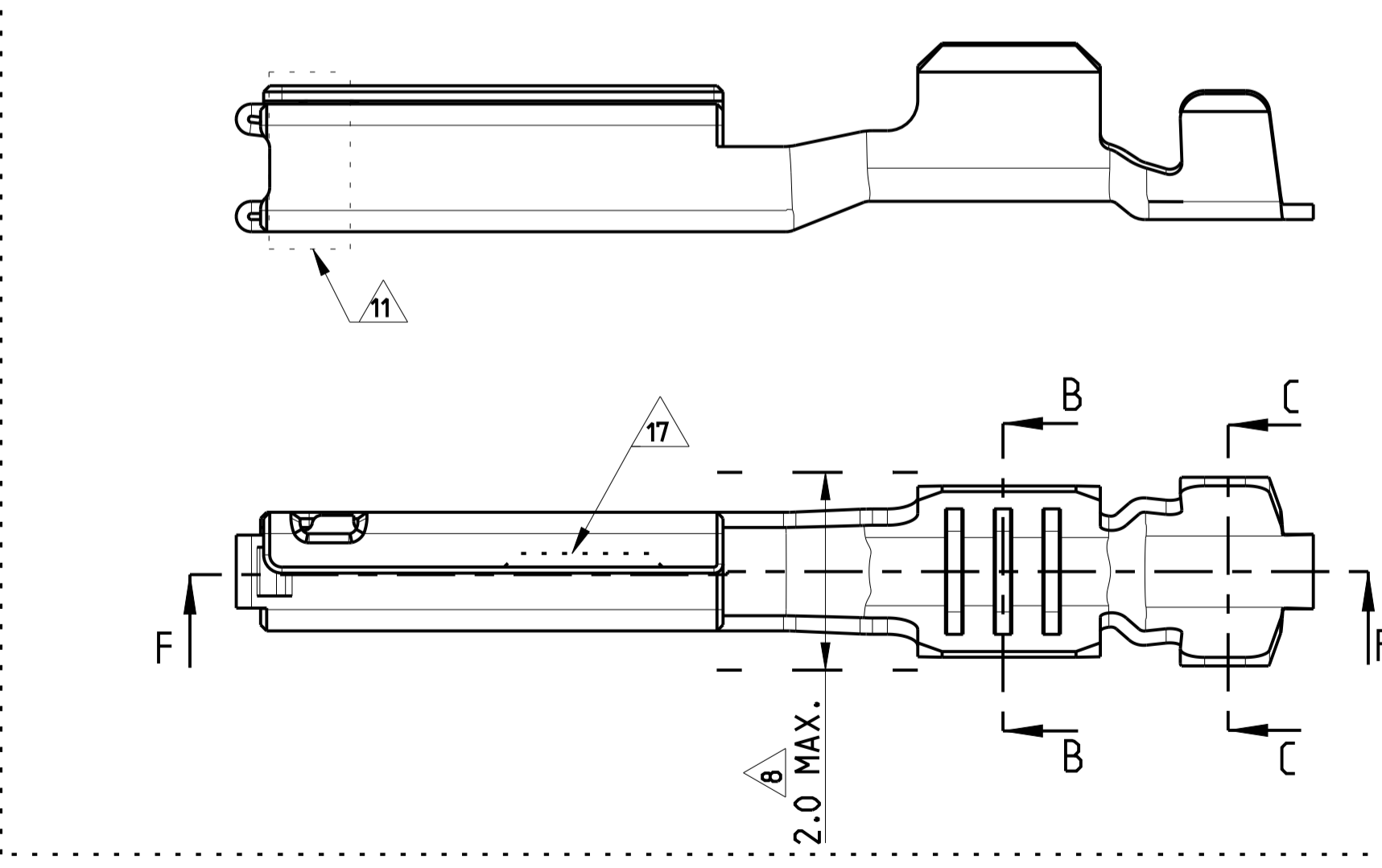


### TIN-VERSION <sup>23</sup>



### SILVER-VERSION <sup>4</sup>



### GOLD-VERSION <sup>4</sup>

REVISIONS				
P	LTN	DESCRIPTION	DATE	APPD
C	SEE ECR-14-012287		01SEP2014	SS GS
C1	ECR-15-010934		23JUL2015	SS GS
D	REV PER ECO-20-007097		14DEC2020	GTG WW
D1	REV PER ECO-21-002916		08MAR2021	RGV WW

- NOTES:**
- MATERIAL: COPPER ALLOY. MATERIAL THICKNESS 1-0.25±0.01
  - MUST BE FREE OF CRACKS AND BURRS THAT AFFECT FUNCTIONS.
  - WHEN A TIN/GOLD PLATED TERMINAL IS USED ON THE MALE SIDE THEN THE CORRESPONDING PLATING (TIN OR GOLD) MUST BE USED ON THE FEMALE TERMINAL.
  - NICKEL UNDERPLATE 0.1µm MIN. UNLESS OTHERWISE NOTED.
  - 0.2 mm MAX RADIUS PERMISSIBLE ON EDGES AND FILLETS SHOWN AS SHARP FOR STAMPING PARTS.
  - GOLD PLATING 0.76µm MIN. OVER NICKEL 1.8µm MIN. (CONTACT AREA ONLY).
  - LUBRICATION: OPTIMOL
  - THE WIDTH OF THE TRANSITION (INDICATED AREA) MAY NOT EXCEED 2.0MM
  - TE CONNECTIVITY-CRIMP SPECIFICATION: 114-13060
  - "G" MARKING TO IDENTIFY Au VERSION
  - GOLD PLATING (±0.38µm Au) FOR GOLD SHORTING BAR APPLICATIONS VALID FOR 1393366-2 AND 1393365-2 ONLY
  - SILVER PLATING 3-5µm OVER NICKEL 0.5µm MIN. (CONTACT AREA ONLY)
  - TARNISH FOR SILVER VERSION
  - TIN PLATING 2-4µm OVER NICKEL (CRIMP AREA ONLY)
  - SILVER MARKING
  - ALTERNATE LOGO "TE" OR "1" IS ALLOWED
  - OPTIONAL NOTCH DESIGN ALLOWED
  - FOR SILVER PLATING: ELECTRICAL PERFORMANCE IS NOT AFFECTED BY GRAY OR BLACK TARNISH ON THE SILVER PLATING SURFACE. ACCEPTABLE SILVER SURFACE CAN INCLUDE GRAY OR BLACK TARNISH.
  - TIN PLATING 0.6µm MIN. OVER NICKEL (CRIMP AREA ONLY)
  - SILVER PLATING (±0.5µm Ag) FOR SILVER SHORTING BAR APPLICATIONS. VALID FOR 1393366-2 AND 1393367-2 ONLY.
  - DEM REQUIRED PART NUMBER FOR TRACEABILITY. THIS PART NUMBER IS SAME AS P/N 0-1393367-2.
  - DEM REQUIRED PART NUMBER FOR TRACEABILITY. THIS PART NUMBER IS SAME AS P/N 0-1393366-2.
  - PRE-PLATED TIN 2-4µm ALL OVER.

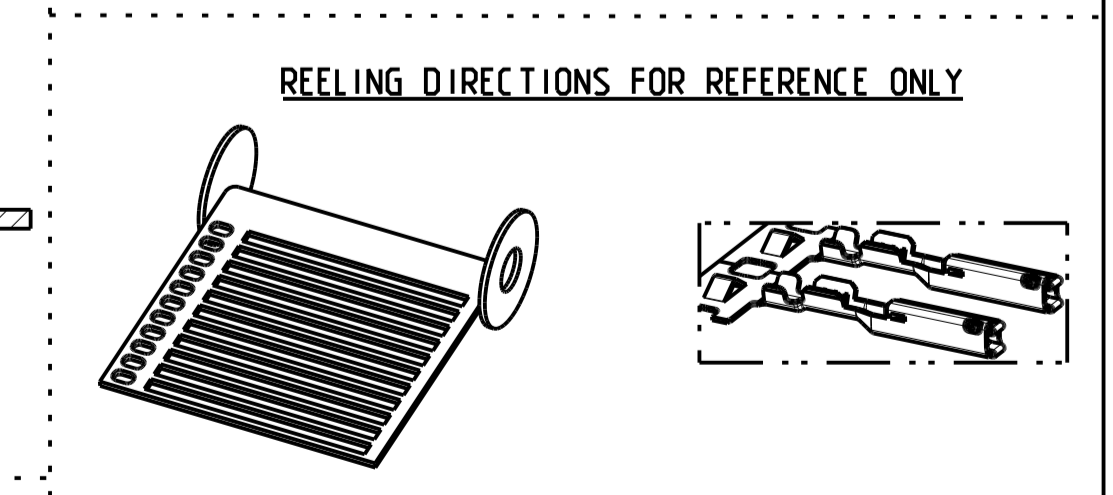
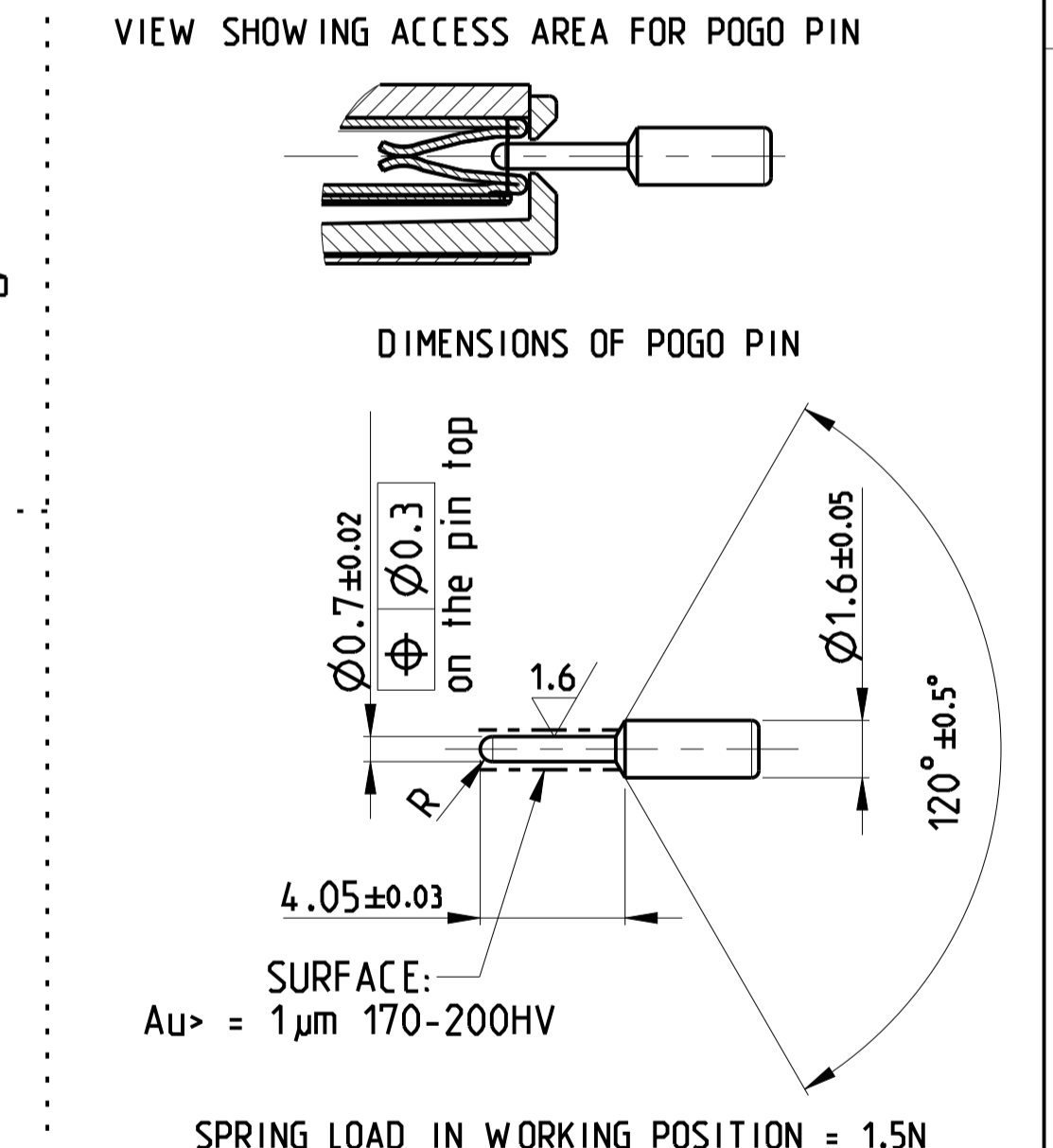


TABLE 1: TERMINAL CRIMP & GRIP REFERENCE TABLE.

PART NO.	PART-REV.	PLATING SPECIFICATION	WEIGHT	CONDUCTOR WIRE SIZE	DIMENSIONS				CONDUCTOR CRIMP INFO	INSULATION CRIMP INFO	MATERIAL TYPE
					A1	A2	R1	R2			
0-1393364-1		GOLD PLATING <sup>10</sup>	0.22g	0.22	2.11	2.4	0.45	0.6	A	SEE TE Connectivity SPEC 114-13060	CuNi35SiMg DIN 1777
0-1393364-2	B	GOLD PLATING <sup>11</sup>		0.35	2.11	2.4	0.45	0.6	A		
0-1393367-2		SILVER PLATING	0.22g	0.22	2.11	2.4	0.45	0.6	A		
2-1393367-2 <sup>21</sup>	B	SILVER PLATING <sup>20</sup> <sup>12</sup>	0.35	2.11	2.4	0.45	0.6	A			
0-1393367-1	B	TIN PLATING <sup>23</sup>	0.22g	0.22	2.11	2.4	0.45	0.6	A		
0-1393365-1	B	GOLD PLATING <sup>10</sup>	0.22g	0.50	2.8	3.1	0.6	0.2	B		
0-1393365-2	B	GOLD PLATING <sup>11</sup>		0.75	2.8	3.1	0.6	0.2	B		
0-1393366-2	B	SILVER PLATING <sup>20</sup> <sup>12</sup>	0.22g	0.50	2.8	3.1	0.6	0.2	B		
2-1393366-2 <sup>22</sup>	B	SILVER PLATING <sup>20</sup> <sup>12</sup>		0.75	2.8	3.1	0.6	0.2	B		
0-1393366-1	B	TIN PLATING <sup>23</sup>	0.22g	0.50	2.8	3.1	0.6	0.2	B		
				0.75	2.8	3.1	0.6	0.2	B		

THIS DRAWING IS A CONTROLLED DOCUMENT.

DMN: B. VAN SEBROECK OSFEB01  
 CHG: G. STEINBACH OSFEB01  
 APPD: G. MUMMER OSFEB01

DIMENSIONS: mm

TOLERANCES UNLESS OTHERWISE SPECIFIED:

7-PLC	±
2-PLC	±
3-PLC	±
4-PLC	±
5-PLC	±
FINISHES	±

MATERIAL: -

APPLIC. SPEC: 114-13060

WEIGHT: SEE TABLE

CUSTOMER DRAWING

NAME: GET FEMALE TERMINAL  
GET BUCHSEN KONTAKT

SIZE: A1 00779

SCALE: 10:1

SHEET: 1 OF 1

REV: 01

RESTRICTED TO

## X-ON Electronics

Largest Supplier of Electrical and Electronic Components

*Click to view similar products for [Automotive Connectors](#) category:*

*Click to view products by [TE Connectivity](#) manufacturer:*

Other Similar products are found below :

[003-018-000](#) [60403001](#) [60993906-B](#) [M902-2131](#) [M902-2161](#) [M902-2344](#) [72.330.1035.1](#) [73.353.4028.0](#) [F119300-B](#) [F166900](#) [F258300-B](#)  
[F358300-B](#) [F407400](#) [F444110](#) [F487000](#) [F509500B-B](#) [827153-1](#) [8N1515-32-24P](#) [9-1326729-8](#) [925474-1](#) [928905-1](#) [964562-4](#) [968782-1](#)  
[GT17SA-8DS-HU](#) [98891-1012](#) [98947-1016](#) [12004147](#) [12004475-L](#) [12010290](#) [12010309-B](#) [12015454](#) [12020219-B](#) [12041318-B](#) [12052225-](#)  
[L](#) [12052466](#) [12064869](#) [12004327-B](#) [12015308](#) [12015384](#) [12015909](#) [1-21030-1](#) [12041254](#) [12041318](#) [12047946-B](#) [12047957](#) [12047957-L](#)  
[12059473](#) [12066261](#) [12110546](#) [12110546-B](#)