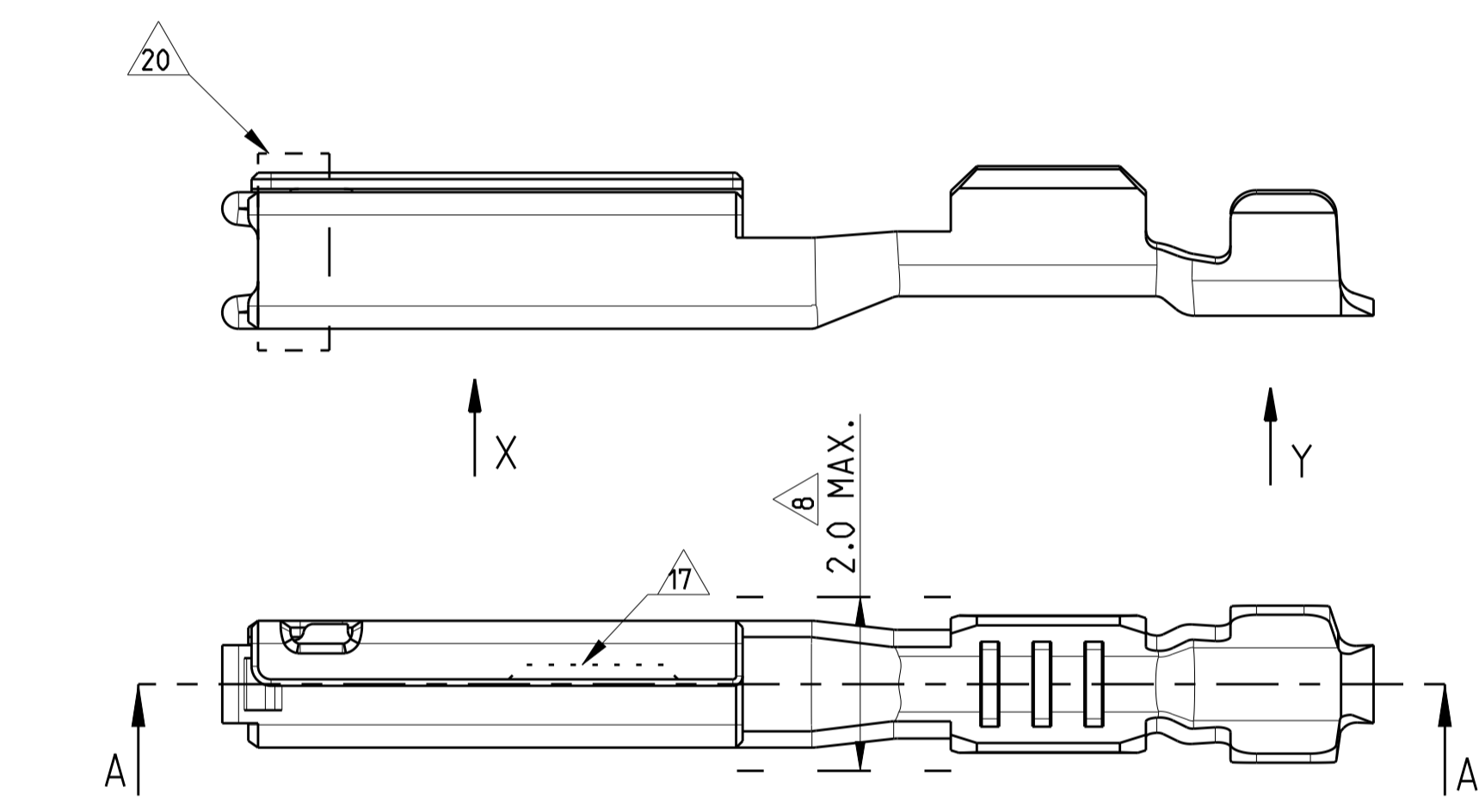
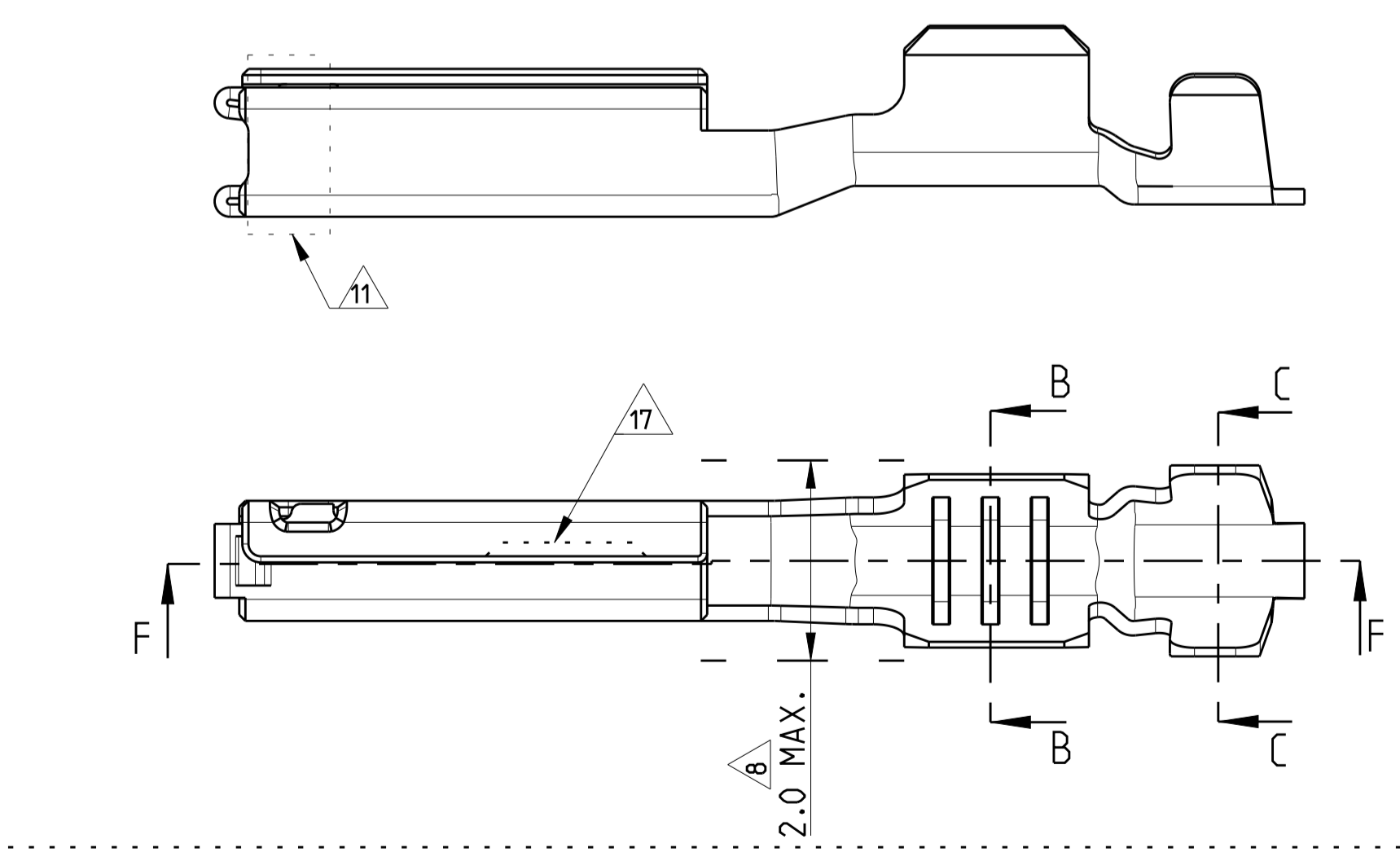


TIN-VERSION



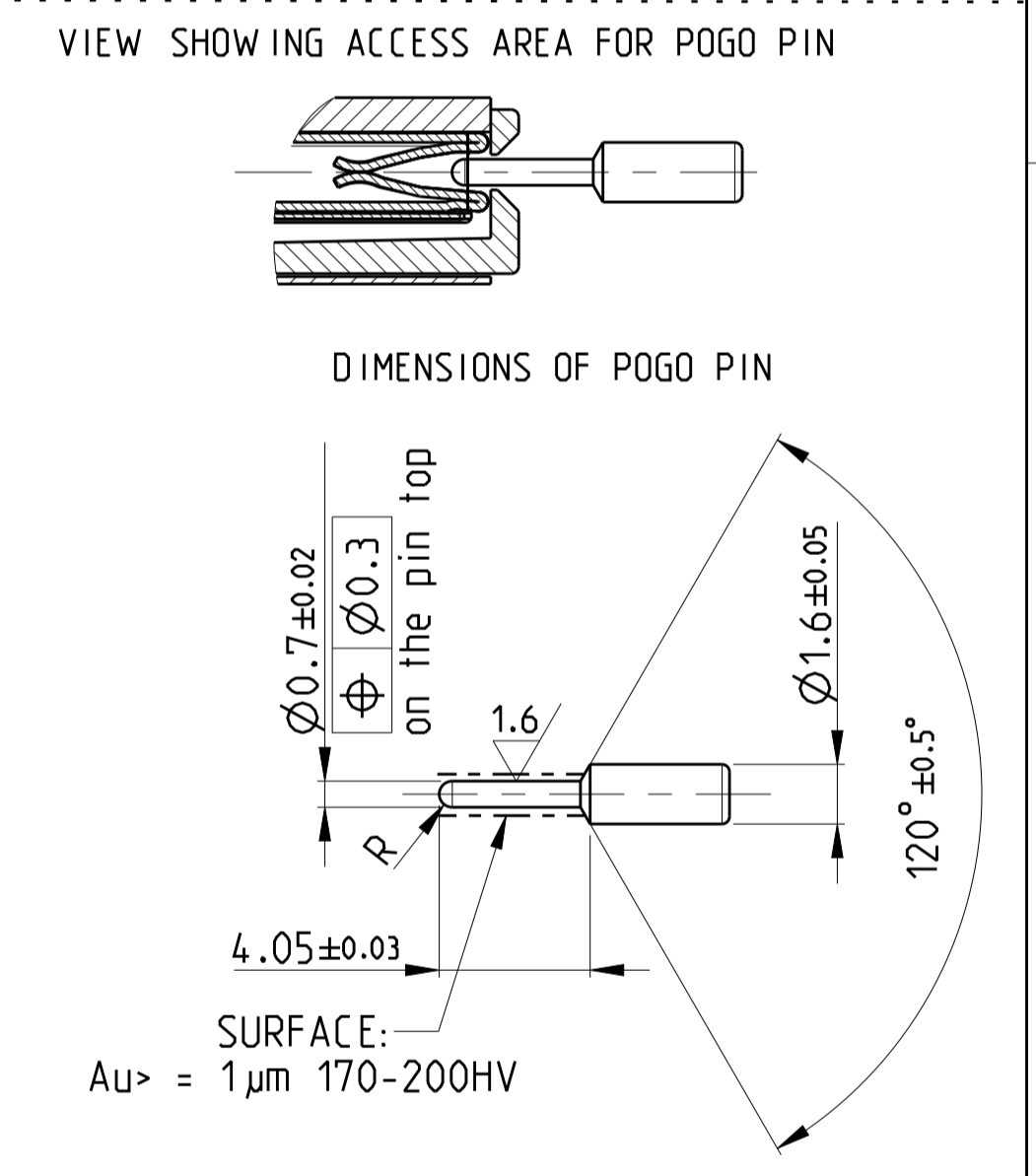
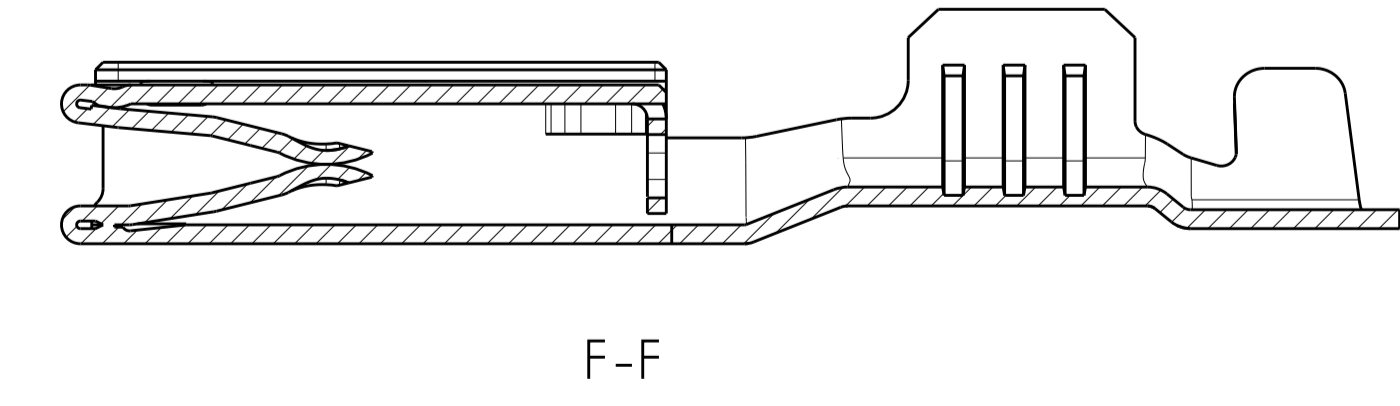
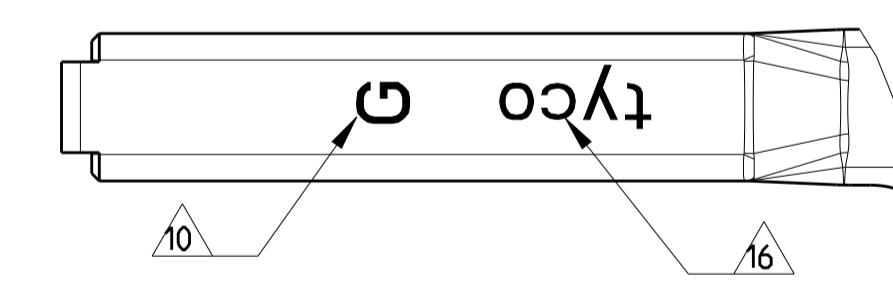
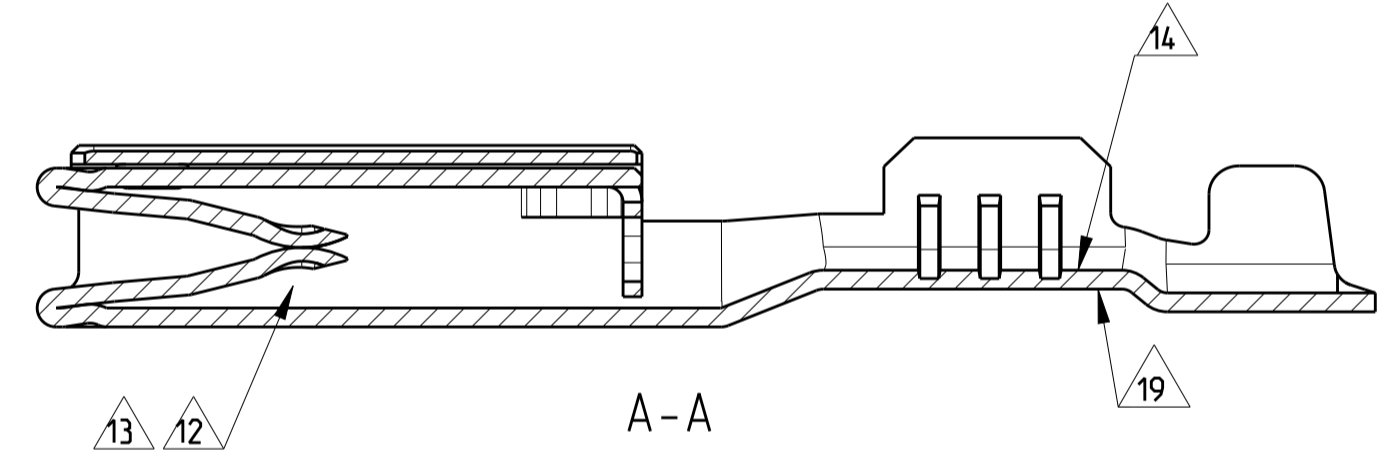
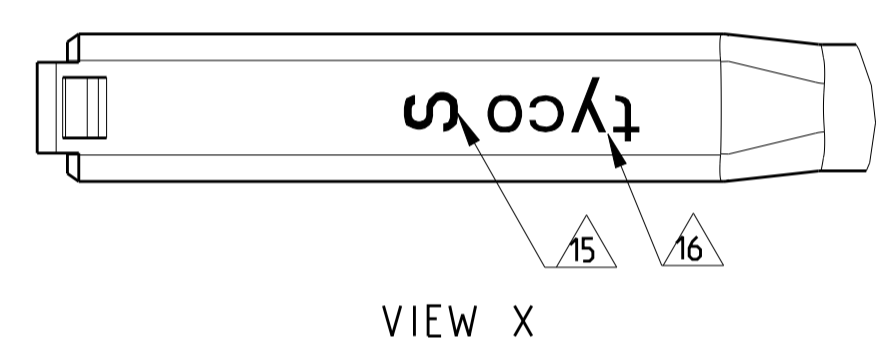
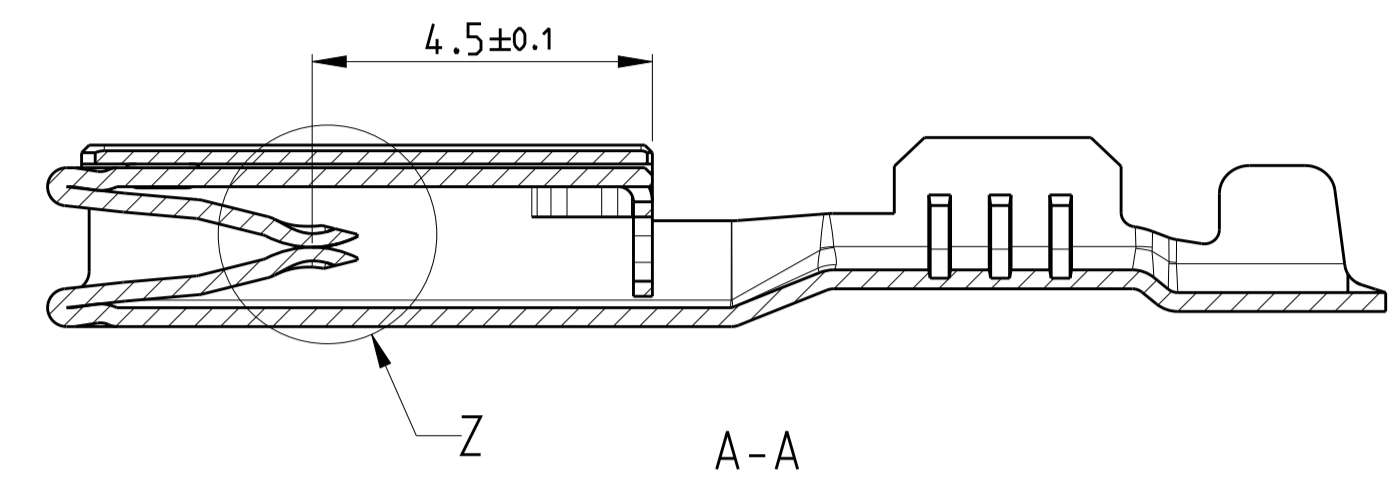
SILVER-VERSION



GOLD-VERSION

REVISIONS				
P	LTR	DESCRIPTION	DATE	OWN APVD
C		SEE ECR-14-012287	01SEP2014	SS GS
C1		ECR-15-010934	23JUL2015	SS GS
D		REV PER ECO-20-007097	14OCT2020	GTG WW

- NOTES:
- MATERIAL: COPPER ALLOY. MATERIAL THICKNESS 1=0.25±0.01
  - MUST BE FREE OF CRACKS AND BURRS THAT AFFECT FUCTIONS.
  - WHEN A TIN/GOLD PLATED TERMINAL IS USED ON THE MALE SIDE THEN THE CORRESPONDING PLATING (TIN OR GOLD) MUST BE USED ON THE FEMALE TERMINAL.
  - 
  - 0.2 mm MAX RADIUS PERMISSIBLE ON EDGES AND FILLETS SHOWN AS SHARP FOR STAMPING PARTS.
  - 
  - LUBRICATION: OPTIMOL
  - THE WIDTH OF THE TRANSITION (INDICATED AREA) MAY NOT EXCEED 2.0MM
  - TE CONNECTIVITY-CRIMP SPECIFICATION: 114-13060
  - "G" MARKING TO IDENTIFY Au VERSION
  - GOLD PLATING (±= 0.38 µm AU) FOR GOLD SHORTING BAR APPLICATIONS VALID FOR 1393364-2 AND 1393365-2 ONLY
  - SILVER PLATING 3-5 µm OVER NICKEL (CONTACT AREA ONLY)
  - TARNISH FOR SILVER VERSION
  - TIN PLATING 2-4 µm OVER NICKEL (CRIMP AREA ONLY)
  - SILVER MARKING
  - ALTERNATE LOGO "TE" OR "1" IS ALLOWED
  - OPTIONAL NOTCH DESIGN ALLOWED
  - FOR SILVER PLATING: ELECTRICAL PERFORMANCE IS NOT AFFECTED BY GRAY OR BLACK TARNISH ON THE SILVER PLATING SURFACE. ACCEPTABLE SILVER SURFACE CAN INCLUDE GRAY OR BLACK TARNISH.
  - TIN PLATING 0.6 µm MIN. OVER NICKEL (CRIMP AREA ONLY)
  - SILVER PLATING (±= 0.5 µm Ag) FOR SILVER SHORTING BAR APPLICATIONS. VALID FOR 1393366-2 AND 1393367-2 ONLY.
  - DEM REQUIRED PART NUMBER FOR TRACEABILITY. THIS PART NUMBER IS SAME AS P/N 0-1393367-2.
  - DEM REQUIRED PART NUMBER FOR TRACEABILITY. THIS PART NUMBER IS SAME AS P/N 0-1393366-2.



SPRING LOAD IN WORKING POSITION = 1.5N

REELING DIRECTIONS FOR REFERENCE ONLY

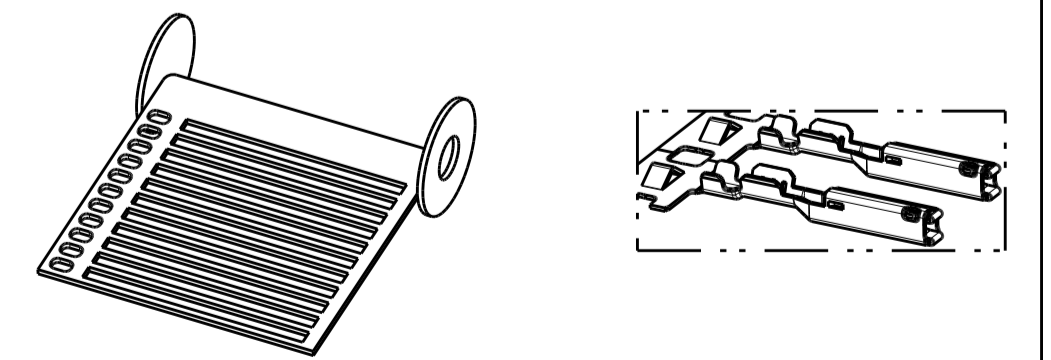


TABLE 1: TERMINAL CRIMP & GRIP REFERENCE TABLE.

PART NO.	PART-REV.	PLATING SPECIFICATION	WEIGHT	CONDUCTOR WIRE SIZE	DIMENSIONS					CONDUCTOR CRIMP INFO	INSULATION CRIMP INFO	MATERIAL TYPE
					A1	A2	R1	R2	GRIP SIZE			
0-1393364-1		GOLD PLATING <sup>10</sup>	0.22g	0.22	2.11	2.4	0.45	0.6	A	SEE TE Connectivity SPEC 114-13060	CuNi35SiMg DIN 1777	
0-1393364-2	B	GOLD PLATING <sup>11</sup>		AWG 22	2.11	2.4	0.45	0.6	A			
0-1393367-2		SILVER PLATING <sup>11</sup>	0.22	2.11	2.4	0.45	0.6	A				
2-1393367-2	B	SILVER PLATING <sup>20</sup> <sup>12</sup>	0.35	2.11	2.4	0.45	0.6	A				
0-1393367-1	B	TIN PLATING	0.22g	0.22	2.11	2.4	0.45	0.6	A			
0-1393365-1		GOLD PLATING <sup>10</sup>	0.22g	AWG 20	2.8	3.1	0.6	0.2	B			
0-1393365-2	B	GOLD PLATING <sup>11</sup>		AWG 18	2.8	3.1	0.6	0.2	B			
0-1393366-2		SILVER PLATING <sup>20</sup> <sup>12</sup>	0.22g	0.50	2.8	3.1	0.6	0.2	B			
2-1393366-2	B	SILVER PLATING <sup>20</sup> <sup>12</sup>	0.75	2.8	3.1	0.6	0.2	B				
0-1393366-1		TIN PLATING	0.22g	0.50	2.8	3.1	0.6	0.2	B			
0-1393366-1	B	TIN PLATING	0.75	2.8	3.1	0.6	0.2	B				

THIS DRAWING IS A CONTROLLED DOCUMENT.

OWN: B. VAN SEBROECK OSFEB01  
 CHG: G. STEINBACH OSFEB01  
 APVD: G. MUMMER OSFEB01

DIMENSIONS: mm

TOLERANCES UNLESS OTHERWISE SPECIFIED:

7-PLC	±
1-PLC	±
2-PLC	±
3-PLC	±
4-PLC	±
ANGLES	±
FINISH	±

MATERIAL: -

APPLICATION SPEC: 114-13060

WEIGHT: SEE TABLE

CUSTOMER DRAWING

NAME: GET FEMALE TERMINAL  
GET BUCHSEN KONTAKT

SIZE: A | 00779 | C=1393364

SCALE: 10:1 SHEET 1 OF 1 REV D

## X-ON Electronics

Largest Supplier of Electrical and Electronic Components

*Click to view similar products for [TE Connectivity](#) manufacturer:*

Other Similar products are found below :

[D38999/24FJ4AN](#) [570416-000](#) [CLTEQ-M81CE-SSRELAY-4-20V](#) [4-1195131-0](#) [650069-000](#) [SMD100-2](#) [358838-000](#) [CB-1022B-78](#)  
[RM707012](#) [RP410012](#) [MMS42](#) [1-640426-8](#) [2EDL4CM](#) [DTS20W19-11PD-3028-LC](#) [RM202615](#) [NC6-P104-06](#) [MSPS103B](#) [DTS26F21-](#)  
[41HE-LC](#) [DTS26F21-41AE](#) [DTS26F21-41PE-LC](#) [DTS26F21-11SE-3028-LC](#) [30DCB6](#) [1932144-1](#) [293545-4](#) [LVR125S](#) [MS27466T25F4PB](#)  
[CKB-38-78010](#) [TR04AI-TINELLOCKRING](#) [1206SFF150F/63-2](#) [D38999/20JB35HA](#) [TE1500A2R2J](#) [D38999/20WC8BB](#) [DTS24F19-11SC-](#)  
[3028-LC](#) [D38999/24WG11HA](#) [D38999/24WG11HN](#) [MS27467T21F11H](#) [DJT16E21-11HA](#) [MS27467T21F35J](#) [MS27467T21F11J](#)  
[MS27467T21F16H-LC](#) [MS27467T21F35H](#) [MS27467T21F41H-LC](#) [1206SFH150F/24-2](#) [RP330024](#) [DJT16E21-11PA-LC](#) [DJT16E21-11HA-](#)  
[LC](#) [DJT16E21-11AA](#) [MS27467T21B11JA](#) [DJT16E21-11JA](#) [MS27467T21B11JA-LC](#)