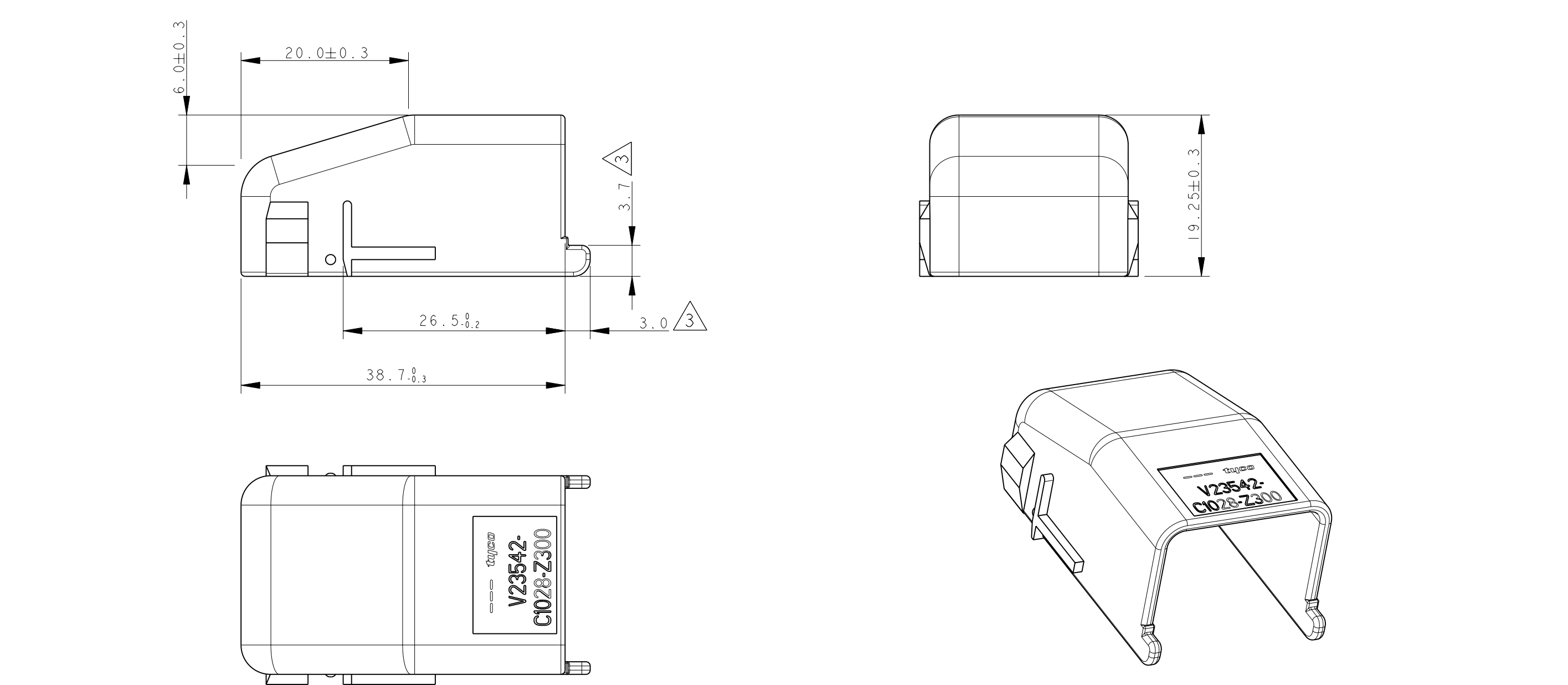


TE CONNECTIVITY ORDER NO. / (TE CONNECTIVITY Bestellnummer)

- SOCKET HOUSING WITHOUT COVER P/N 1393436-4 / (Gehäuse ohne Abdeckkappe)
 (was SIEMENS code V23542-C1028-B300)
- COVER P/N 1393454-5 / (Abdeckkappe)
 (was SIEMENS code V23542-C1028-Z300)

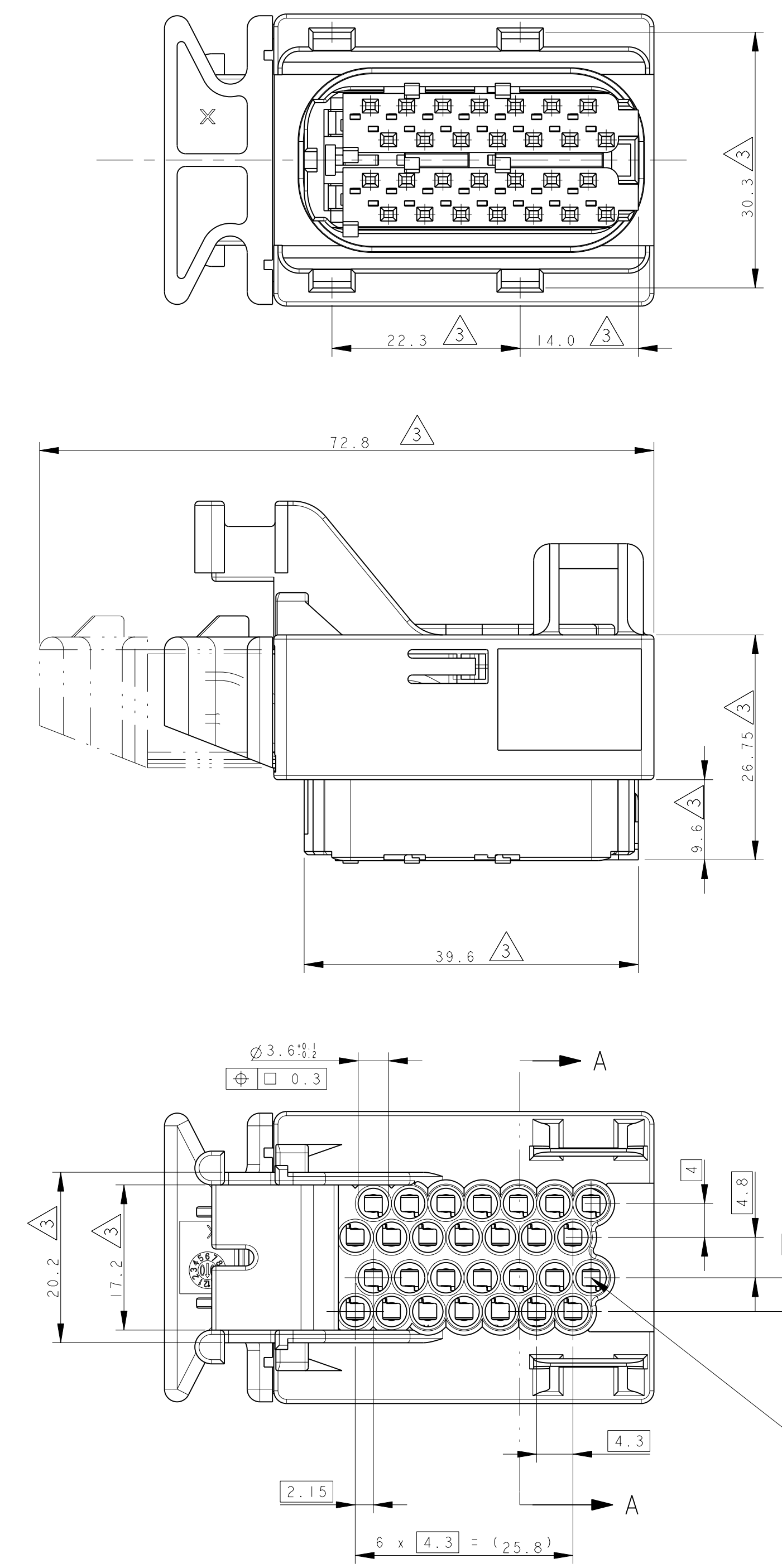
BOTH PARTS NEED TO BE ORDERED / (Teile müssen einzeln bestellt werden)

COVER / (Abdeckkappe)



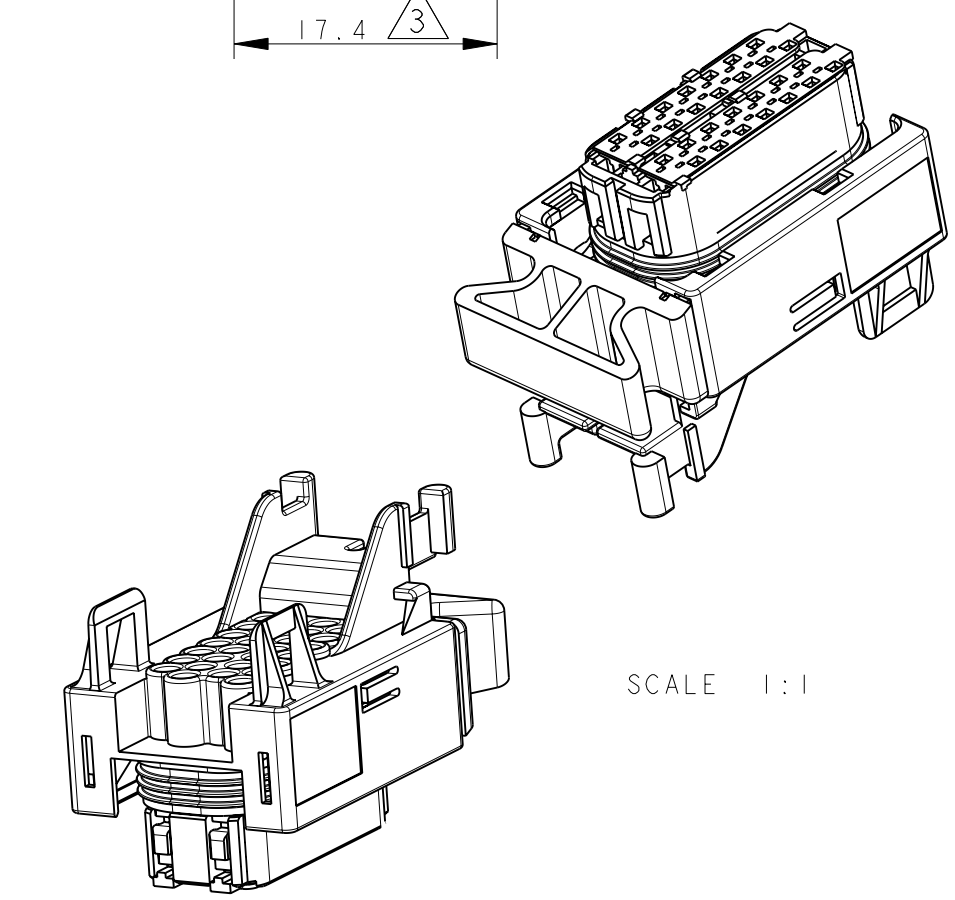
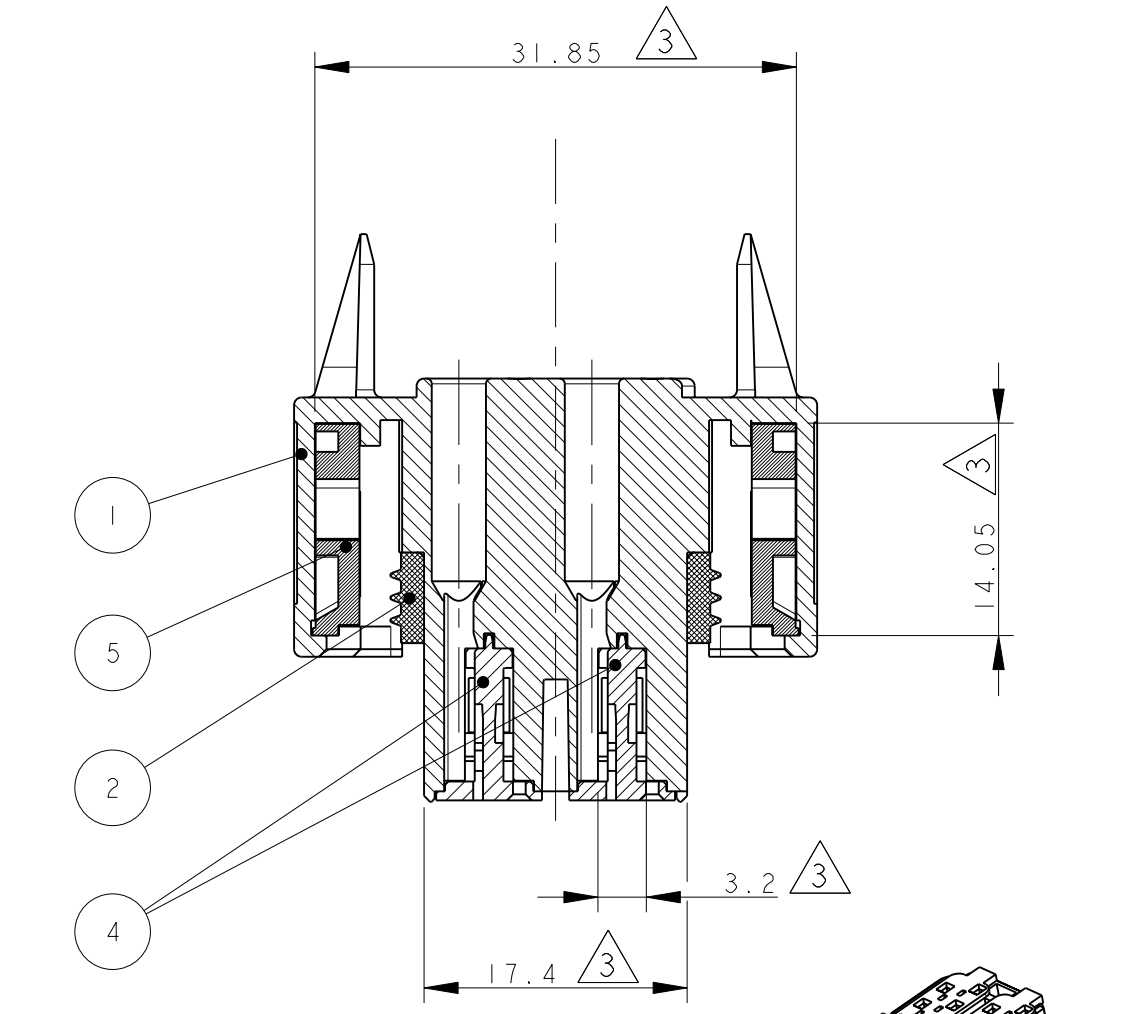
P/N 1393454-5 AS SHOWN
 (WAS SIEMENS No. V23542-C1028-Z300)

SOCKET HOUSING / (Gehäuse)



LOC	DIST	REVISIONS			
P	LTB	DESCRIPTION	DATE	DWN	APVD
A1		REVISED PER ECO-11-005033	20APR2011	RK	HMR
A2		REVISED PER ECR-11-017659	13SEP2011	M.G.	M.G.

SECTION A - A



P/N 1393436-4 AS SHOWN
 (WAS SIEMENS No. V23542-C1028-B300)

TE CONNECTIVITY P/N	REV.	DESCRIPTION	WEIGHT [g]
1393436-4	A	SOCKET HOUSING WITHOUT COVER	30.5
1393454-5	A	COVER	4.9

MATERIAL LIST / (Materialliste)			
ITEM	Q.TY	DESCRIPTION (Bezeichnung)	MATERIAL (Material) COLOR (Farbe)
1	1	SOCKET HOUSING / (Grundkörper)	PBT-GF(30±3)% BLACK / (Schwarz)
2	1	RADIAL SEAL / (Radialdichtung)	VMO GREEN / (Grün)
3	1	COVER / (Abdeckkappe)	PBT-GF(20±2)% BLACK / (Schwarz)
4	2	SECONDARY LOCK / (Kontaktsicherung)	PBT-GF(20±2)% NATURAL / (Natur)
5	1	SLIDE / (Kulissennutschieber)	PBT-GF(30±3)% BLACK / (Schwarz)

- 1 RECYCLED MATERIAL max. 25% / (Regeneratbeimischung max.25%) LIQUID COLOR ALLOWED / (Liquideinfärbung zugelassen)
- 2 SILICONE RUBBER / (Silikonkautschuk) RESISTANT TO OZONE AND TO HOT AIR +180°C / (Ozonbeständig, wärmluftbeständig +180°C) RESISTANT TO COLD -45°C, OIL PERCENTAGE 2%+1% / (Kältebeständig -45°C, Ölanteil 2%+1%)
- 3 NOMINAL DIMENSION, ONLY FOR INFO: NOT IN INITIAL SAMPLE REPORT / (Nominale Mass, nur zu info: kommt nicht in Erstmusterprüfbericht)
- 4 USE TEST ADAPTOR FOR CONTINUING TESTING ACCORDING / (Zu verwenden prüfadaptor: siehe V23543-C1028-B300-7424)
- 5 FOR LENGTH TOLERANCES REFER TO DIN 16901-130; FOR ANGLES, FORM AND POSITION TOLERANCES REFER TO DIN ISO 2768-mH / (Längen: DIN 16901-130; Winkel, Form und Lage: DIN ISO 2768-mH)
- 6 NR. 28 CAVITIES SUITABLE FOR ELO SEAL CONTACTS P/N 4-1411572-1 (0,35mm²) CRIMPED ON SINGLE WIRE SEALS P/N 964971-1 (OR, IN ALTERNATIVE, P/N 1393457-2), AND P/N 2-1411573-1 (0,5-0,75mm²) CRIMPED ON SINGLE WIRE SEALS P/N 1393457-1 (OR, IN ALTERNATIVE, P/N 963530-1). CAVITY PLUGS TO CLOSE UNUSED CAVITIES: P/N 1393457-3 (OR, IN ALTERNATIVE, P/N 963531-1)
- 7) CONNECTOR SUITABLE TO MATE WITH HEADER COUNTERPART P/N 8-1393476-0

THIS DRAWING IS A CONTROLLED DOCUMENT.

DIMENSIONS: mm	TOLERANCES UNLESS OTHERWISE SPECIFIED: ISO 8015	DWN: GHISOLET 03DEC2003	CHK: R. MARTINI 03DEC2003
MATERIAL FINISH: SEE TABLE	9 PLC ±	PRODUCT SPEC: -	NAME: 28 POSITIONS ENGINE CONNECTOR ASS'Y
	1 PLC ±	APPLICATION SPEC: -	SIZE: A100779
	2 PLC ±	WEIGHT: -	CAGE CODE: -
	3 PLC ±	CUSTOMER DRAWING: -	DRAWING NO: C=1393436-4
	4 PLC ±	SCALE: 2:1	SHEET 1 OF 1
	ANGLES ±	REV: A2	

X-ON Electronics

Largest Supplier of Electrical and Electronic Components

Click to view similar products for [Automotive Connectors](#) category:

Click to view products by [TE Connectivity](#) manufacturer:

Other Similar products are found below :

[003-018-000](#) [600858](#) [60403001](#) [60993906-B](#) [60993913-B](#) [629515004020001](#) [M902-2131](#) [M902-2161](#) [M902-2344](#) [72.330.1035.1](#)
[73.353.4028.0](#) [F118010](#) [F119300-B](#) [F132210](#) [F132210-B](#) [F166900](#) [F180100](#) [F258300](#) [F258300-B](#) [F294300-B](#) [F339100](#) [F339700](#) [F358300-](#)
[B](#) [F374110](#) [F407400](#) [F412210](#) [F427600](#) [F444110](#) [F487000](#) [F495100-B](#) [F500900-B](#) [F509500B-B](#) [770444-1](#) [776880-1](#) [827153-1](#) [881735-1](#)
[8N1515-32-24P](#) [9-1326727-8](#) [9-1326729-8](#) [925467-1](#) [925474-1](#) [928905-1](#) [936398-2](#) [964562-1](#) [964562-4](#) [964731-2](#) [965051-1](#) [968782-1](#)
[GT17SA-8DS-HU](#) [GT17VS-10DP-5.2CF](#)