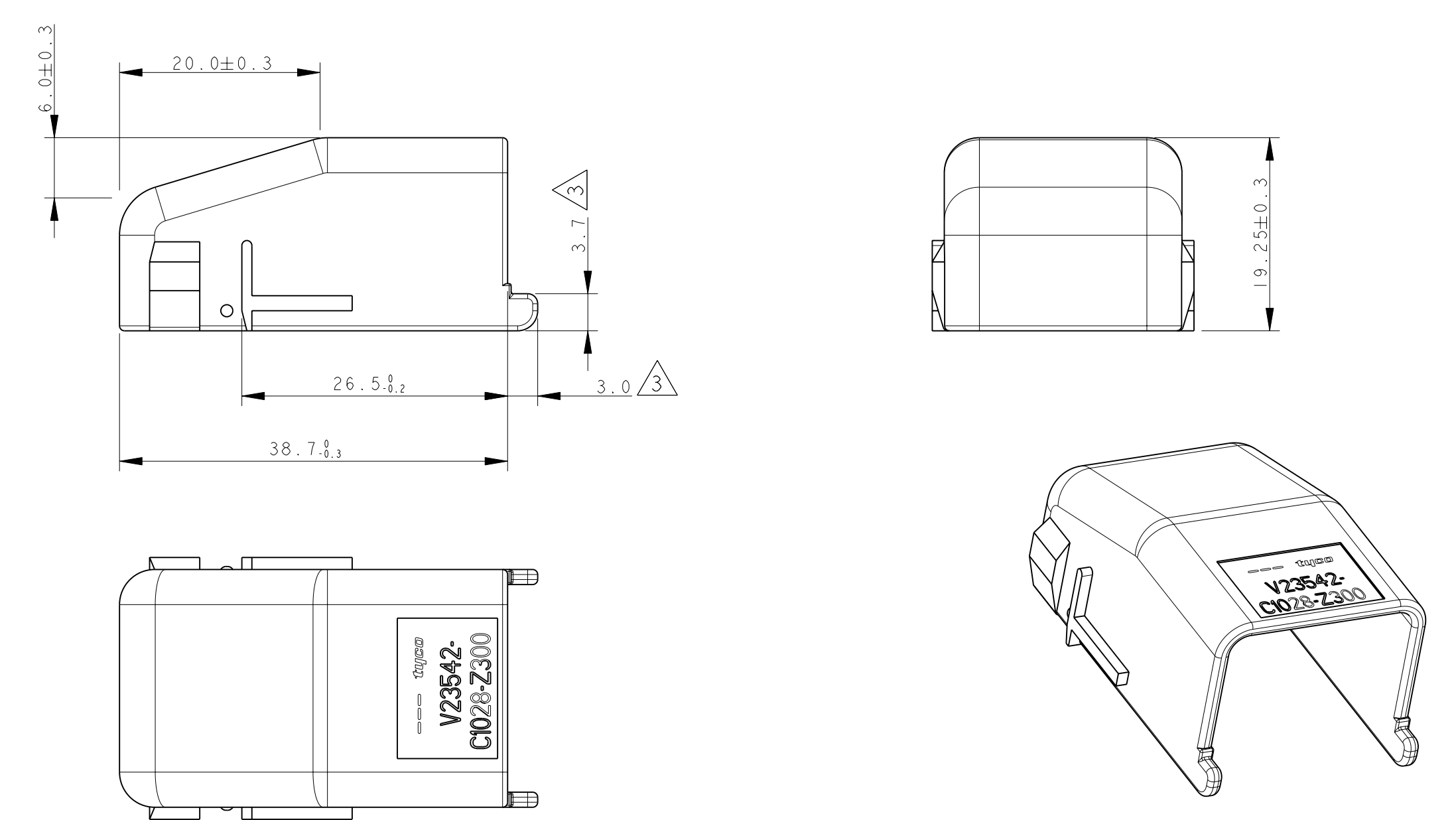


TE CONNECTIVITY ORDER NO. / (TE CONNECTIVITY Bestellnummer)

- SOCKET HOUSING WITHOUT COVER P/N 1393436-4 / (Gehäuse ohne Abdeckkappe)
 (was SIEMENS code V23542-C1028-B300)
- COVER P/N 1393454-5 / (Abdeckkappe)
 (was SIEMENS code V23542-C1028-Z300)

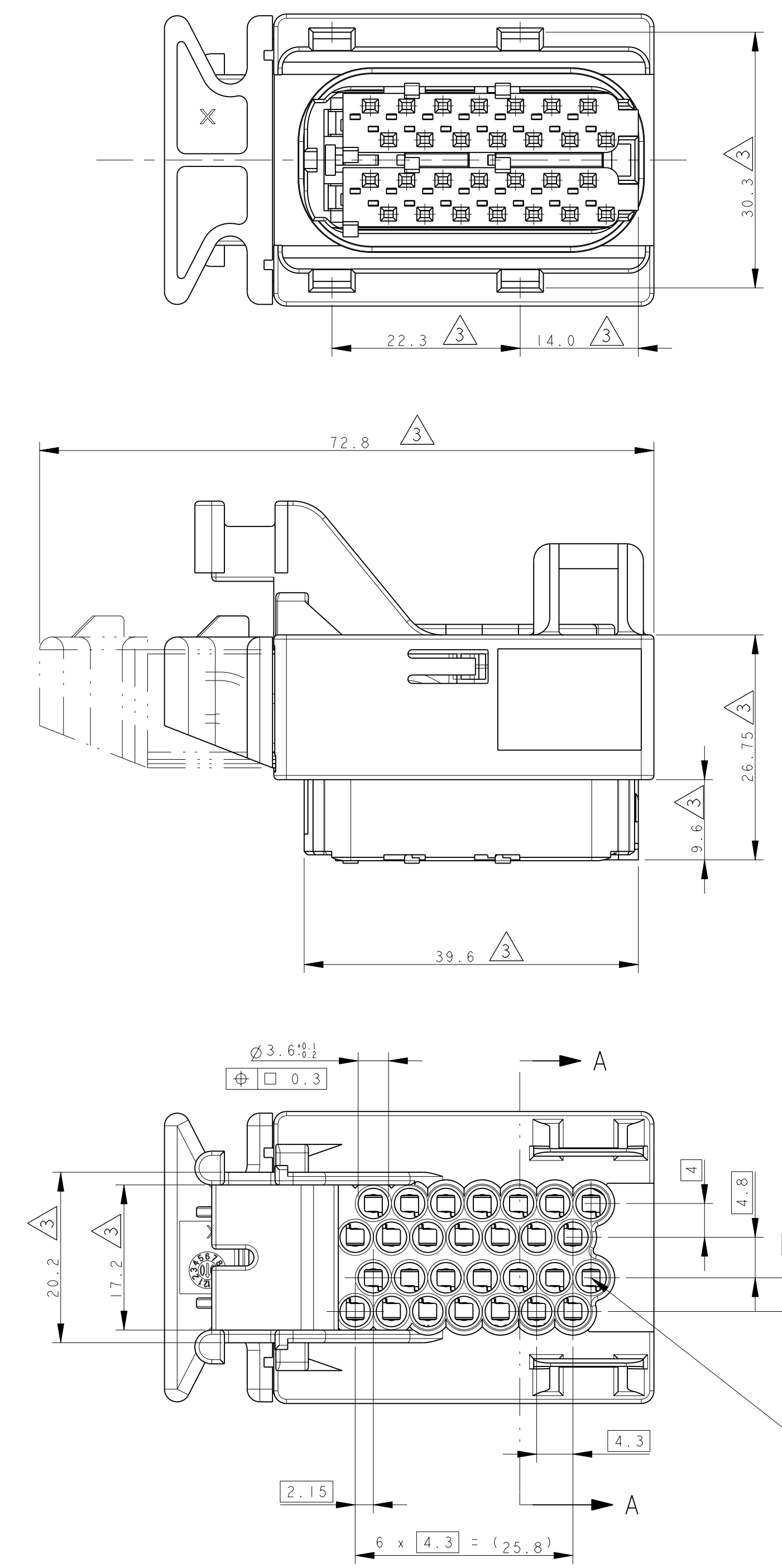
BOTH PARTS NEED TO BE ORDERED / (Teile müssen einzeln bestellt werden)

COVER / (Abdeckkappe)



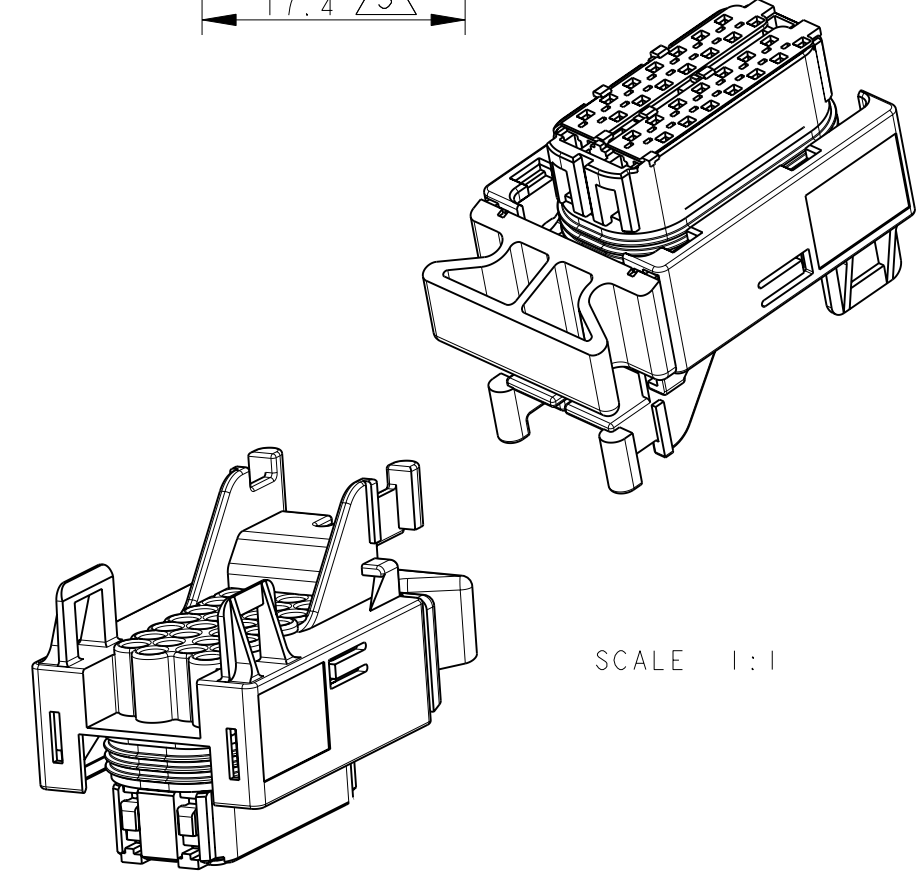
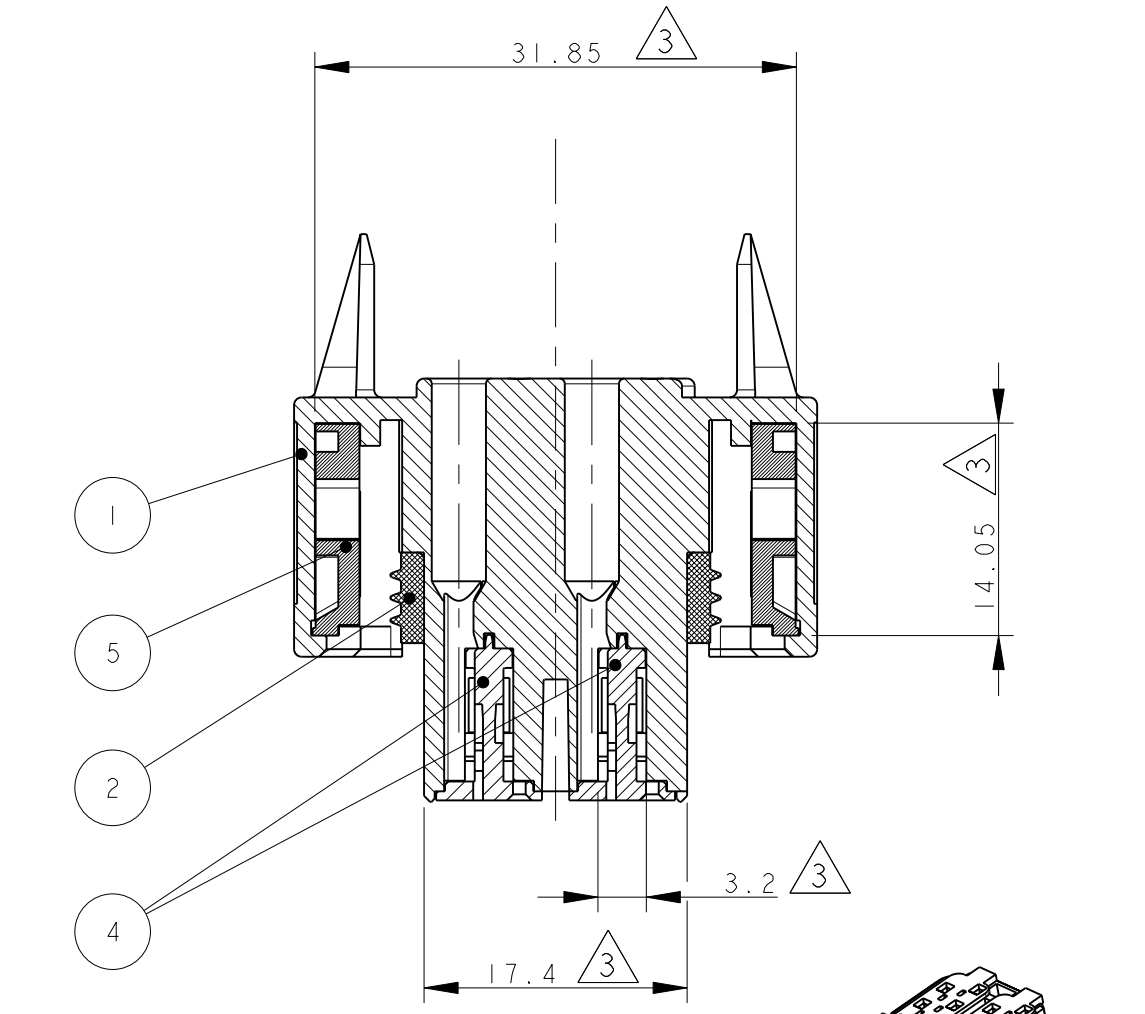
**P/N 1393454-5 AS SHOWN
 (WAS SIEMENS No. V23542-C1028-Z300)**

SOCKET HOUSING / (Gehäuse)



LOC	DIST	REVISIONS			
P	LTB	DESCRIPTION	DATE	OWN	APVD
A1		REVISED PER ECO-11-005033	20APR2011	RK	HMR
A2		REVISED PER ECR-11-017659	13SEP2011	M.G.	M.G.

SECTION A - A



**P/N 1393436-4 AS SHOWN
 (WAS SIEMENS No. V23542-C1028-B300)**

TE CONNECTIVITY P/N	REV.	DESCRIPTION	WEIGHT [g]
1393436-4	A	SOCKET HOUSING WITHOUT COVER	30.5
1393454-5	A	COVER	4.9

MATERIAL LIST / (Materialliste)			
ITEM	Q.TY	DESCRIPTION (Bezeichnung)	MATERIAL (Material) COLOR (Farbe)
1	1	SOCKET HOUSING / (Grundkörper)	PBT-GF(30±3)% BLACK / (Schwarz)
2	1	RADIAL SEAL / (Radialdichtung)	VMO GREEN / (Grün)
3	1	COVER / (Abdeckkappe)	PBT-GF(20±2)% BLACK / (Schwarz)
4	2	SECONDARY LOCK / (Kontaktsicherung)	PBT-GF(20±2)% NATURAL / (Natur)
5	1	SLIDE / (Kulissennutschieber)	PBT-GF(30±3)% BLACK / (Schwarz)

- 1 RECYCLED MATERIAL max. 25% / (Regeneratbeimischung max.25%) LIQUID COLOR ALLOWED / (Liquideinfärbung zugelassen)
- 2 SILICONE RUBBER / (Silikonkautschuk) RESISTANT TO OZONE AND TO HOT AIR +180°C / (Ozonbeständig, wärmluftbeständig +180°C) RESISTANT TO COLD -45°C, OIL PERCENTAGE 2%+1% / (Kältebeständig -45°C, Ölanteil 2%+1%)
- 3 NOMINAL DIMENSION, ONLY FOR INFO: NOT IN INITIAL SAMPLE REPORT / (Nominale Mass, nur zu info: kommt nicht in Erstmusterprüfbericht)
- 4 USE TEST ADAPTOR FOR CONTINUING TESTING ACCORDING / (Zu verwenden prüfadaptor: siehe V23543-C1028-B300-7424)
- 5 FOR LENGTH TOLERANCES REFER TO DIN 16901-130; FOR ANGLES, FORM AND POSITION TOLERANCES REFER TO DIN ISO 2768-mH / (Längen: DIN 16901-130; Winkel, Form und Lage: DIN ISO 2768-mH)
- 6 NR. 28 CAVITIES SUITABLE FOR ELO SEAL CONTACTS P/N 4-1411572-1 (0,35mm²) CRIMPED ON SINGLE WIRE SEALS P/N 964971-1 (OR, IN ALTERNATIVE, P/N 1393457-2), AND P/N 2-1411573-1 (0,5-0,75mm²) CRIMPED ON SINGLE WIRE SEALS P/N 1393457-1 (OR, IN ALTERNATIVE, P/N 963530-1). CAVITY PLUGS TO CLOSE UNUSED CAVITIES: P/N 1393457-3 (OR, IN ALTERNATIVE, P/N 963531-1)
- 7) CONNECTOR SUITABLE TO MATE WITH HEADER COUNTERPART P/N 8-1393476-0

THIS DRAWING IS A CONTROLLED DOCUMENT.

DWG: GHISOLET 03DEC2003	CHK: R. MARTINI	APVD: 03DEC2003	NAME: 28 POSITIONS ENGINE CONNECTOR ASS'Y
DIMENSIONS: mm		TOLERANCES UNLESS OTHERWISE SPECIFIED: ISO 8015	PRODUCT SPEC: -
MATERIAL: SEE TABLE		FINISH: -	APPLICATION SPEC: -
WEIGHT: -		SIZE: A100779	CAGE CODE: C=1393436-4
CUSTOMER DRAWING		SCALE: 2:1	SHEET 1 OF 1 REV A2

TE Connectivity

X-ON Electronics

Largest Supplier of Electrical and Electronic Components

Click to view similar products for [Automotive Connectors](#) category:

Click to view products by [TE Connectivity](#) manufacturer:

Other Similar products are found below :

[003-018-000](#) [60403001](#) [60993906-B](#) [M902-2131](#) [M902-2161](#) [72.330.1035.1](#) [73.353.4028.0](#) [F119300-B](#) [F166900](#) [F258300-B](#) [F358300-B](#)
[F407400](#) [F444110](#) [F487000](#) [F509500B-B](#) [827153-1](#) [8N1515-32-24P](#) [9-1326729-8](#) [925474-1](#) [928905-1](#) [964562-4](#) [968782-1](#) [GT17SA-8DS-](#)
[HU](#) [98891-1012](#) [98947-1016](#) [12004147](#) [12004475-L](#) [12010290](#) [12010309-B](#) [12015454](#) [12020219-B](#) [12020308](#) [12041318-B](#) [12052225-L](#)
[12052466](#) [12059125](#) [12064869](#) [12004327-B](#) [12010503-B](#) [12015308](#) [12015384](#) [12015909](#) [1-21030-1](#) [12041254](#) [12041318](#) [12047946-B](#)
[12047957](#) [12047957-L](#) [12059473](#) [12066261](#)