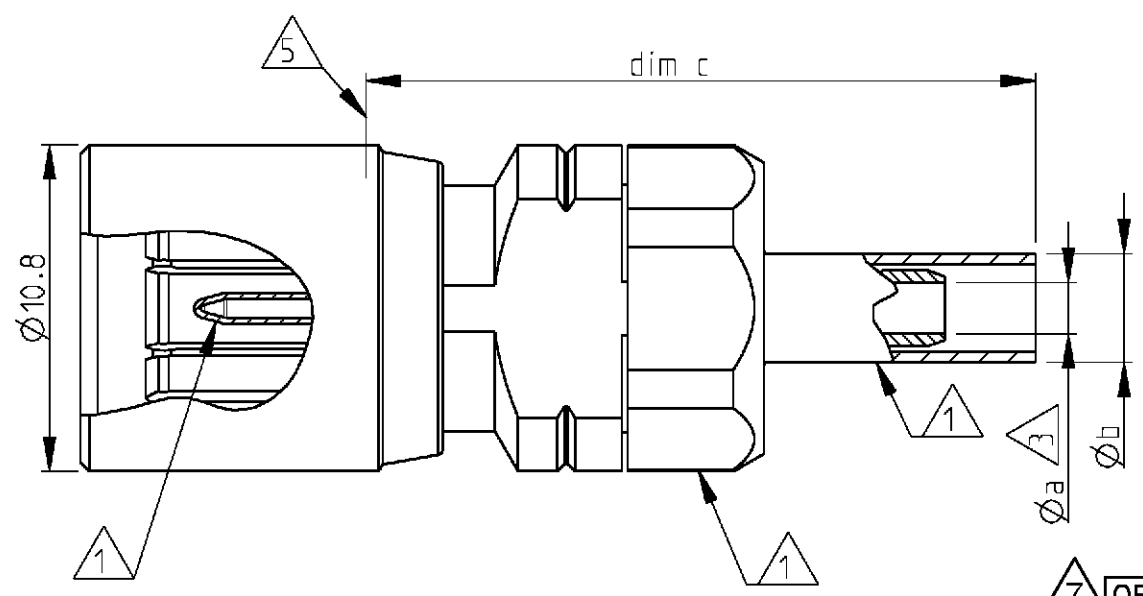


THIS DRAWING IS UNPUBLISHED. RELEASED FOR PUBLICATION 2000
 © COPYRIGHT 2000 BY TYCO ELECTRONICS CORPORATION. ALL RIGHTS RESERVED.

LOC	DIST	REVISIONS				
P	LTR	DESCRIPTION	DATE	DWN	APVD	
GW	-	A	-	05APR2001	BL	KM
		A1	REV PER ECO-09-026495	30NOV09	KK	AEG



Cross reference table

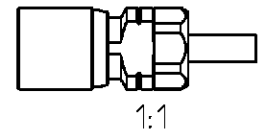
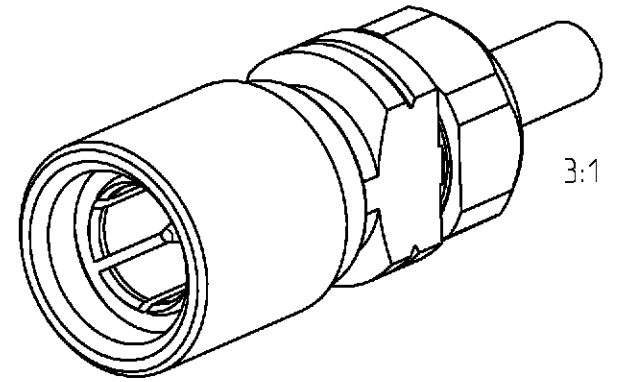
Old part number	Tyco part number	Description	Material	Plating	Øa	Øb	dim c	Cable type
V23612-A102-A45	1393680-3	Outer conductor	Brass	1 µm Au min in contact area	2.55	6.2	26.2	02YCCY 0.4/2.5 LYC(mS)CY 0.4/2.5
		Center conductor	CuBe/Brass	1 µm Au min in contact area				
		Dielectric	PTFE/PEEK	-				
V23612-A102-A46	1393680-4	Outer conductor	Brass	1 µm Au min in contact area	2.9	7.93	29.2	2YC(mS)CY 0.5/3.0
		Center conductor	CuBe/Brass	1 µm Au min in contact area				
		Dielectric	PTFE/PEEK	-				
V23612-A102-A49	1393680-5	Outer conductor	Brass	1 µm Au min in contact area	4.3	7.93	29.2	2YCY 0.7/4.4
		Center conductor	CuBe/Brass	1 µm Au min in contact area				
		Dielectric	PTFE/PEEK	-				
V23612-A102-A76	1393680-9	Outer conductor	Brass	1 µm Au min in contact area	2.15	5.2	26.2	02Y(st) CY 0.45/2.0
		Center conductor	CuBe/Brass	1 µm Au min in contact area				
		Dielectric	PTFE/PEEK	-				
V23612-A102-A76A	1-1393680-0	Outer conductor	Brass	1 µm Au min in contact area	2.15	5.2	26.2	02Y(st) CY 0.45/2.0
		Center conductor	CuBe/Brass	1 µm Au min in contact area				
		Dielectric	PTFE/PEEK	-				
V23612-E102-A76	1393680-5	Outer conductor	Brass	1 µm Au min in contact area	2.15	5.2	26.2	02Y(st) CY 0.45/2.0
		Center conductor	CuBe/Brass	1 µm Au min in contact area				
		Dielectric	PTFE/PEEK	-				

7 OBSOLETE

7 OBSOLETE

7 OBSOLETE

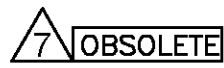
- 7** OBSOLETE PARTS: OBSOLETE CIS STREAMLINING PER D.RENAUD/D.SINISI
- 6** Packed in tray
- 5** Reference plane.
- 4) Mating face according to DIN 47295/CECC 22240.
- 3** Minimum dimension.
- 2) All dimensions are maximum unless otherwise specified.
- 1** Supplied as loose part.


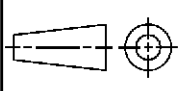


<small>THIS DRAWING IS A CONTROLLED DOCUMENT FOR TYCO ELECTRONICS CORPORATION IT IS SUBJECT TO CHANGE AND THE CONTROLLING ENGINEERING ORGANIZATION SHOULD BE CONTACTED FOR THE LATEST REVISION.</small>		DWN B. Lenvain 27FEB2001 CHK K. Mattheeuws 5APR2001 APVD R. Leeman 5APR2001		tyco Electronics Tyco Electronics Oostkamp - Belgium	
DIMENSIONS: mm 		TOLERANCES UNLESS OTHERWISE SPECIFIED: 0 PLC ± 1 PLC ± 2 PLC ± 3 PLC ± 4 PLC ± ANGLES ±		NAME Cable plug 1.6/5.6 75 OHM	
MATERIAL - FINISH -		PRODUCT SPEC - APPLICATION SPEC 114-71019 WEIGHT -		SIZE A3 CAGE CODE 00779 DRAWING NO ©-1393680-2 RESTRICTED TO -	
CUSTOMER DRAWING				SCALE 5/1 SHEET 1 OF 2 REV A1	

THIS DRAWING IS UNPUBLISHED. RELEASED FOR PUBLICATION 2000
 © COPYRIGHT 2000 BY TYCO ELECTRONICS CORPORATION. ALL RIGHTS RESERVED.

LOC	DIST	REVISIONS				
P	LTR	DESCRIPTION	DATE	DWN	APVD	
	-	SEE SHEET 1	-	-	-	

Cross reference table								
Old part number	Tyco part number	Description	Material	Plating	Øa	Øb	dim c	Cable type
 V23612-A102-A24	1393680-1	Outer conductor	Brass	1 µm Au min in contact area	2.15	5.2	26.2	R1-T1 2.0 LI 75k
		Center conductor	CuBe/Brass	1 µm Au min in contact area				
		Dielectric	PTFE/PEEK	-				
V23612-A102-A41	1393680-2	Outer conductor	Brass	1 µm Au min in contact area	1.7	3.6	26.2	RG 179 B/U
		Center conductor	CuBe/Brass	1 µm Au min in contact area				
		Dielectric	PTFE/PEEK	-				

<small>THIS DRAWING IS A CONTROLLED DOCUMENT FOR TYCO ELECTRONICS CORPORATION. IT IS SUBJECT TO CHANGE AND THE CONTROLLING ENGINEERING ORGANIZATION SHOULD BE CONTACTED FOR THE LATEST REVISION.</small>		DWN B. Lenvain	27FEB2001	 Tyco Electronics Oostkamp - Belgium
DIMENSIONS: mm		CHK K. Mattheeuws	5APR2001	
		APVD R. Leeman	5APR2001	
TOLERANCES UNLESS OTHERWISE SPECIFIED:		PRODUCT SPEC		NAME Cable plug
0 PLC ± 1 PLC ±0.5 2 PLC ±0.13 3 PLC ±0.013 4 PLC ±0.0001 ANGLES ±		APPLICATION SPEC		1.6/5.6 75 Ohm
MATERIAL -		WEIGHT -		SIZE A3
FINISH -		SCALE 5/1		CAGE CODE 00779
		DRAWING NO G-1393680-2		RESTRICTED TO -
		SHEET 2 OF 2		REV A1

X-ON Electronics

Largest Supplier of Electrical and Electronic Components

Click to view similar products for [RF Connectors](#) / [Coaxial Connectors](#) category:

Click to view products by [TE Connectivity](#) manufacturer:

Other Similar products are found below :

[R125315120](#) [8915-1511-000](#) [89674-0827](#) [5916-1103-603](#) [6-0001-3](#) [6001-7071-019](#) [6002-7051-003](#) [6002-7551-202](#) [6059674-1](#) [619550-1](#)
[630059-000](#) [M39012/25-0021](#) [M39012/79-3008](#) [M39030/3-01N](#) [M39030/3-03N](#) [M3933/25-36N](#) [6500-7071-046](#) [M83723/72W24576](#)
[M83723/72W2457N](#) [6769](#) [CX050L2AQ](#) [7002-1541-010](#) [7002-1572-002](#) [7003-1572-002](#) [7010-1511-000](#) [7029-1511-060](#) [7101-1541-010](#)
[7101-1571-002](#) [7105-1521-002](#) [7145-1521-002](#) [7209-1511-011](#) [7210-1511-015](#) [7210-1511-019](#) [7225-1512-050](#) [7242-1511-000](#) [73137-5015](#)
[73251-0111](#) [73251-0672](#) [7325-1512-000](#) [73276-1501](#) [73366-0013](#) [73404-2300](#) [73413-6080](#) [73415-5721](#) [7405-1521-005](#) [7405-1521-802](#)
[7406-1521-005](#) [804S01D04M040](#) [8145-1521-002](#) [81590](#)