



Axicom | Axicom P1 Signal Relay

TE Internal #: 1393775-3

Axicom P1 Signal Relay, Signal Relays, 125VDC Contact Voltage Rating, 150VAC Contact Voltage Rating, 69mW Signal Relay Coil Power Rating (DC)

[View on TE.com >](#)

Relays, Contactors & Switches > Relays > Signal Relays



Contact Voltage Rating: **150 VAC**

Signal Relay Coil Power Rating (DC): **69 mW**

Isolation (HF Parameter): **-18dB @ 900MHz, -30dB @ 100MHz**

Insertion Loss (HF Parameter): **-.12dB @ 100MHz, -1.9dB @ 900MHz**

## Features

### Product Type Features

Relay Type	P1 Relay V23026
Relay Style	P1 Relay V23026
Product Type	Relay

### Electrical Characteristics

Coil Power Rating Class	0 – 100 mW
Actuating System	DC
Insulation Initial Dielectric Between Open Contacts	500 Vrms
Contact Limiting Short-Time Current	1 A
Insulation Initial Dielectric Between Contacts and Coil	1500 Vrms
Insulation Creepage Class	0 – 1.5 mm
Insulation Initial Dielectric Between Coil/Contact Class	1000 V – 1500 VA
Voltage Standing Wave Ration (HF Parameter)	1.06 @ 100MHz, 1.75 @ 900MHz
Power Consumption	30 – 150 mW
Contact Limiting Making Current	1 A
Coil Resistance	130 Ω
Contact Limiting Continuous Current	1 A
Insulation Creepage Between Contact and Coil	.75 mm[.03 in]
Coil Type	Bistable, 2 Coils
Contact Limiting Breaking Current	1 A



Contact Switching Load (Min)	10mA @ .02V
Contact Voltage Rating	150 VAC
Signal Relay Coil Power Rating (DC)	69 mW
Signal Relay Coil Voltage Rating	3 VDC
Signal Relay Contact Switching Voltage (Max)	150 VAC
Signal Relay Coil Magnetic System	Bistable, 2 Coils, Polarized

### Signal Characteristics

Isolation (HF Parameter)	-18dB @ 900MHz, -30dB @ 100MHz
Insertion Loss (HF Parameter)	-.12dB @ 100MHz, -1.9dB @ 900MHz

### Body Features

Insulation Special Features	2500V Initial Surge Withstand Voltage between Contacts & Coil
Weight	2 g[.0705 oz]

### Contact Features

Contact Plating Material	Gold-Rhodium
Contact Current Class	0 – 2 A
Contact Special Features	Bifurcated/Twin Contacts
Signal Relay Terminal Type	PCB-THT
Signal Relay Contact Current Rating	1 A
Signal Relay Contact Arrangement	1 Form C (CO)
Contact Material	PdNi
Contact Number of Poles	1

### Termination Features

Termination Type	Through Hole
------------------	--------------

### Mechanical Attachment

Signal Relay Mounting Type	Printed Circuit Board
----------------------------	-----------------------

### Dimensions

Width Class (Mechanical)	6 – 8 mm
Width	7.59 mm[.299 in]
Height	6.9 mm[.272 in]
Length Class (Mechanical)	12 – 14 mm
Insulation Clearance Between Contact and Coil	.75 mm[.03 in]



Height Class (Mechanical)	6 – 7 mm
Length	13 mm [.512 in]
Insulation Clearance Class	0 – 2.5 mm

### Usage Conditions

Environmental Ambient Temperature (Max)	85 °C [85 °F]
Environmental Ambient Temperature Class	70 – 85 °C
Operating Temperature Range	-40 – 85 °C

### Operation/Application

Performance Type	High Sensitive
------------------	----------------

### Packaging Features

Packaging Method	Box & Tube, Tube
------------------	------------------

## Product Compliance

For compliance documentation, visit the product page on [TE.com](#)>

EU RoHS Directive 2011/65/EU	Compliant
EU ELV Directive 2000/53/EC	Compliant
China RoHS 2 Directive MIIT Order No 32, 2016	No Restricted Materials Above Threshold
EU REACH Regulation (EC) No. 1907/2006	Current ECHA Candidate List: JUL 2021 (219) Candidate List Declared Against: JAN 2021 (211) SVHC > Threshold: Not Yet Reviewed
Halogen Content	Low Halogen - Br, Cl, F, I < 900 ppm per homogenous material. Also BFR/CFR/PVC Free
Solder Process Capability	Wave solder capable to 265°C

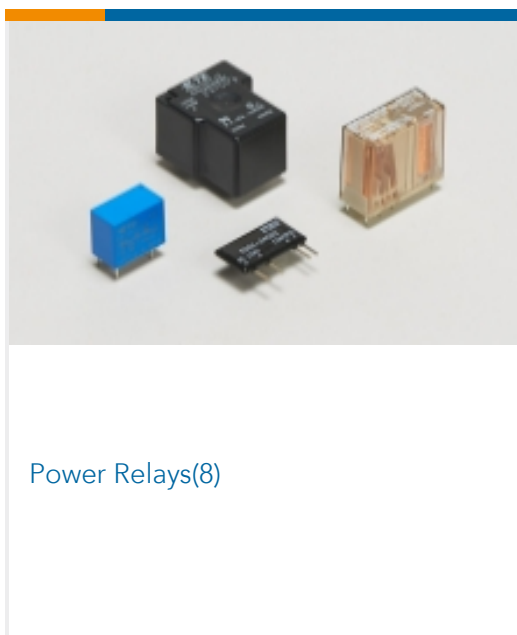
#### Product Compliance Disclaimer

This information is provided based on reasonable inquiry of our suppliers and represents our current actual knowledge based on the information they provided. This information is subject to change. The part numbers that TE has identified as EU RoHS compliant have a maximum concentration of 0.1% by weight in homogenous materials for lead, hexavalent chromium, mercury, PBB, PBDE, DBP, BBP, DEHP, DIBP, and 0.01% for cadmium, or qualify for an exemption to these limits as defined in the Annexes of Directive 2011/65/EU (RoHS2). Finished electrical and electronic equipment products will be CE marked as required by Directive 2011/65/EU. Components may not be CE marked. Additionally, the part numbers that TE has identified as EU ELV compliant have a maximum concentration of 0.1% by weight in homogenous materials for lead, hexavalent chromium, and mercury, and 0.01% for cadmium, or qualify for an exemption to these limits as defined in the Annexes of Directive 2000/53/EC (ELV). Regarding the REACH Regulation, the information TE provides on SVHC in articles for this part number is based on the latest European Chemicals Agency (ECHA) 'Guidance on requirements for substances in articles' posted at this URL: <https://echa.europa.eu/guidance-documents/guidance-on-reach>

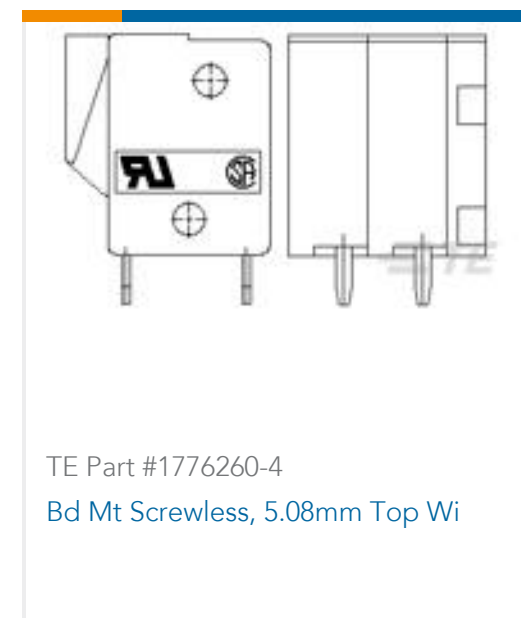
## Compatible Parts



## Also in the Series | Axicom P1 Signal Relay



## Customers Also Bought



## Documents

### CAD Files

Customer View Model

[ENG\\_CVM\\_1393775-3\\_S00E.3d\\_igs.zip](#)

English



### Customer View Model

[ENG\\_CVM\\_1393775-3\\_S00E.3d\\_stp.zip](#)

English

### Customer View Model

[ENG\\_CVM\\_1393775-3\\_S00E.2d\\_dxf.zip](#)

English

### 3D PDF

English

By downloading the CAD file I accept and agree to the [Terms and Conditions](#) of use.

---

### Datasheets & Catalog Pages

[Industrial Relays Quick Reference Guide](#)

English

[Industrial Relays Quick Reference Guide](#)

Japanese

[Industrial Relays Quick Reference Guide](#)

---

### Product Specifications

[Definitions, Handling, Processing, Testing and Use of Relays](#)

English

[Product Specification](#)

English

## X-ON Electronics

Largest Supplier of Electrical and Electronic Components

*Click to view similar products for [Low Signal Relays - PCB category](#):*

*Click to view products by [TE Connectivity manufacturer](#):*

Other Similar products are found below :

[LZN4-US-DC12](#) [LZNQ4-US-DC24](#) [LZNQ4-US-DC48](#) [6-1617347-5](#) [6-1617353-3](#) [6-1617529-6](#) [M39016/20-054M](#) [67RPCX-3](#) [D3493L](#) [7-1393813-3](#) [741B8](#) [MF-11AM-24](#) [MF1201N12](#) [MF-17A-24](#) [FBR244D024/02CS](#) [80.010.4522.1](#) [FL-4036](#) [FLH-11D-6](#) [831A7](#) [MMS124](#) [FTR-B4GA006Z](#) [FW1210S02](#) [FW1521S01](#) [9-1393813-6](#) [9-1617582-5](#) [G6AK-2-H-DC5](#) [G6E-184P-ST-US-DC48](#) [G6G234CDC24](#) [A07A939BZ1-0388](#) [PZ-2A2420](#) [HB1-DC6V](#) [HB1-DC9V](#) [R10-14A10-240](#) [R10-14D10-12](#) [R10-5A10-120F](#) [R10-E1L8-S200](#) [R10-E2468-1](#) [R10-E4Z2-V700](#) [R10-T1L2N-115V](#) [R40-E1Z4-V50](#) [R40-E3Z4-V200](#) [R50-E2Y2-24](#) [HFW11130K01](#) [HFW1201W200](#) [RA30511121](#) [RA-5W-K](#) [RB06H2C12](#) [REL-MR- 60DC/21AU](#) [RG2ET-L-12V](#) [RG2ET-L2-9V](#)