

B1 MOLD VARIANT 2 : PART MARKINGS

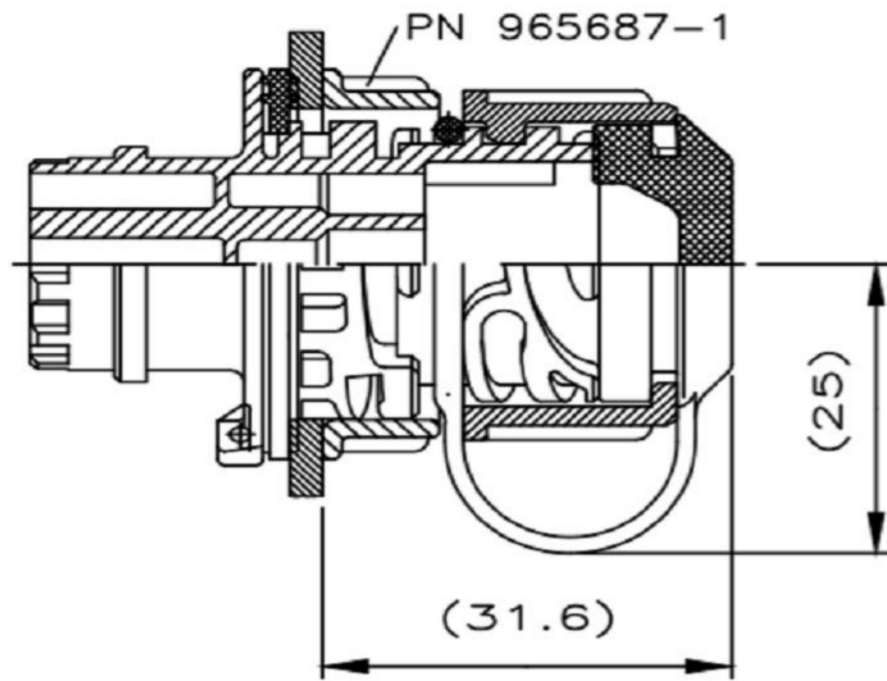
MATED WITH
PASSEND ZU:
967402/1718230

PROJEKT NR:
A97-52144

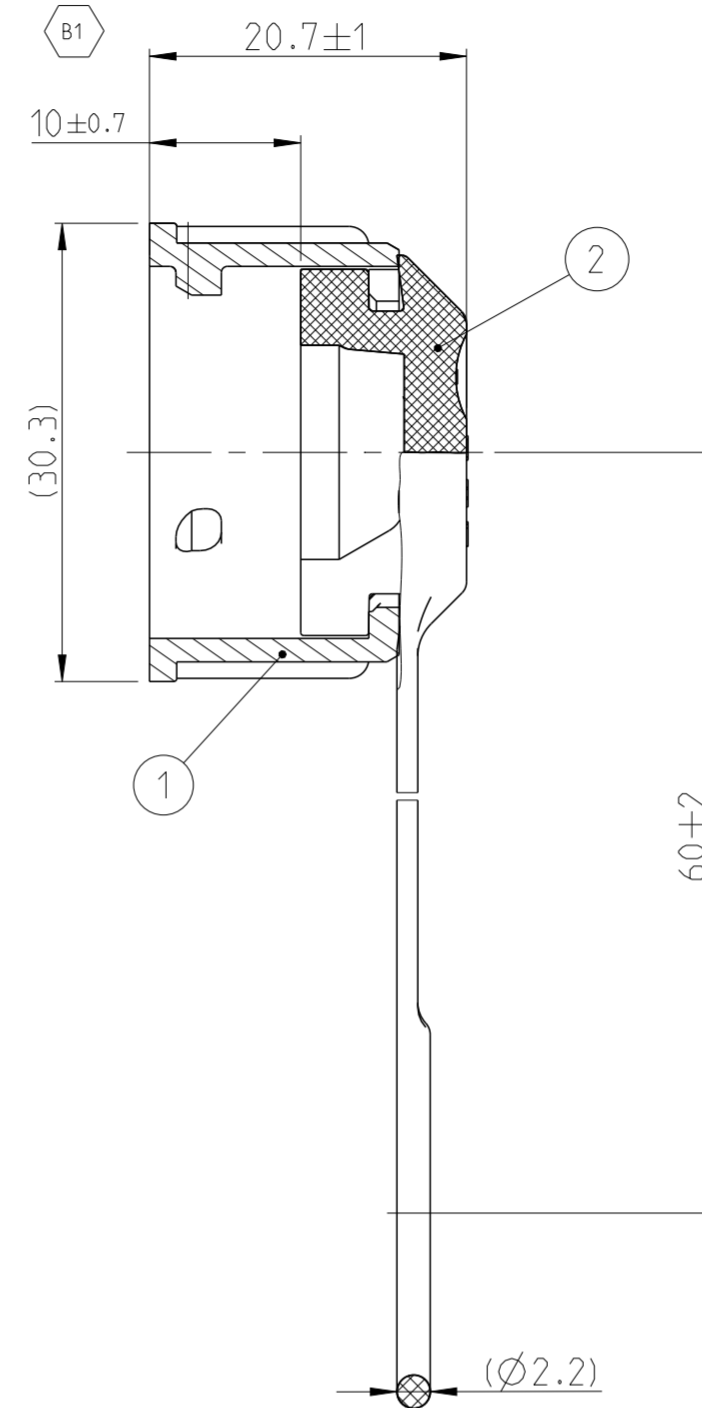
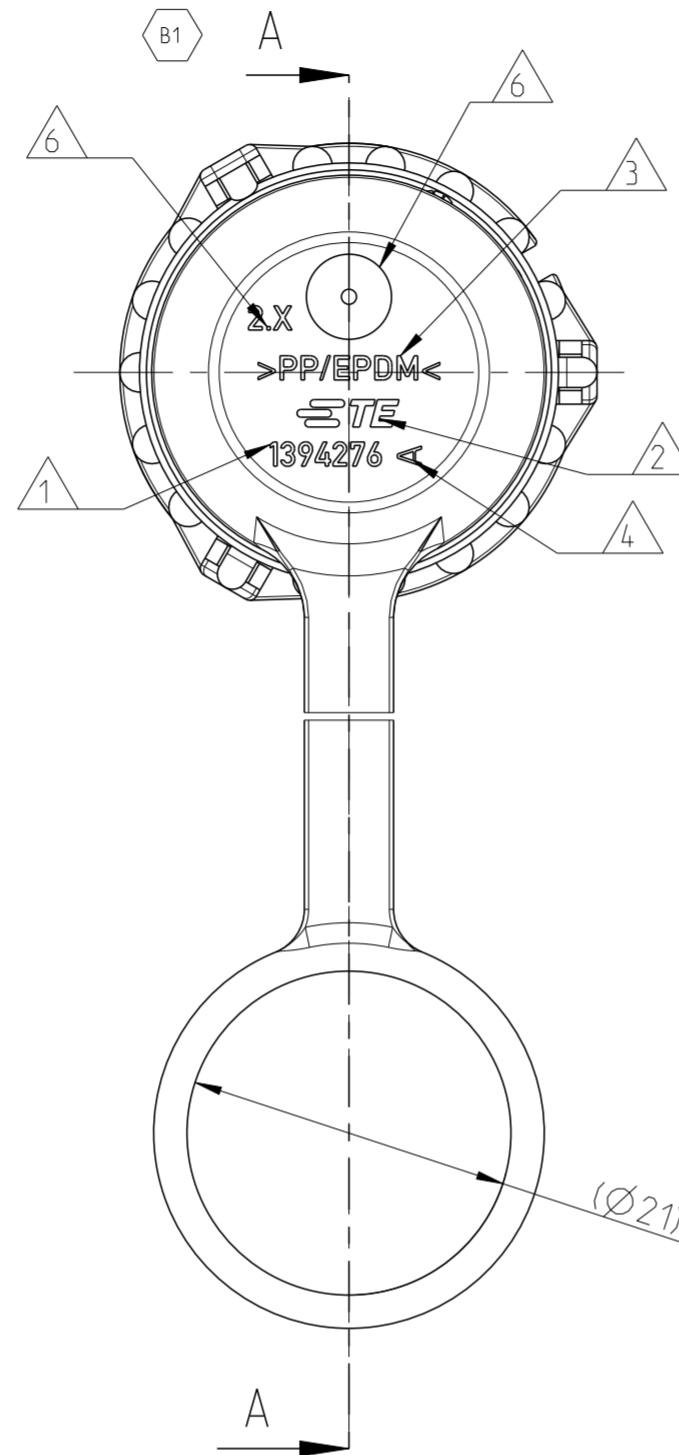
| REVISIONS | | | | |
|-----------|-----|-----------------------------|-----------|--------------|
| P | LTR | DESCRIPTION | DATE | APVD |
| A | | NEW DRAWING | 03MAY2000 | J.Goets Hass |
| A1 | | NEW DASH-NO. (-2) ADDED | 01SEP2000 | JG Hass |
| B | | REVISED PER PCN E-13-005564 | 22APR2013 | KH JG |
| B1 | | REVISED PER PCN E-20-010191 | 17JUL2020 | MK JG |

WAS/war 97-52144-001

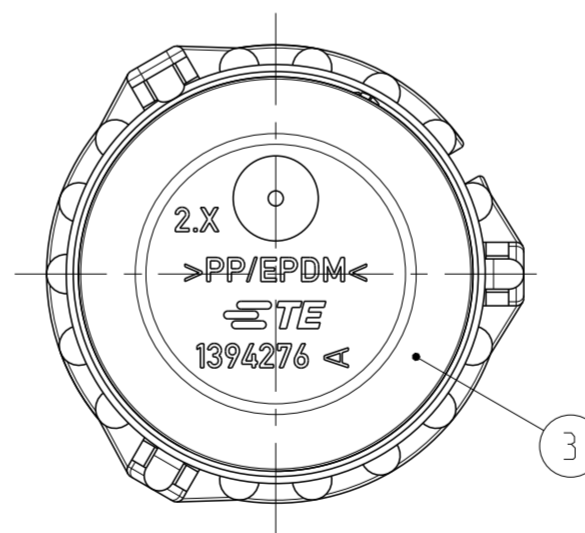
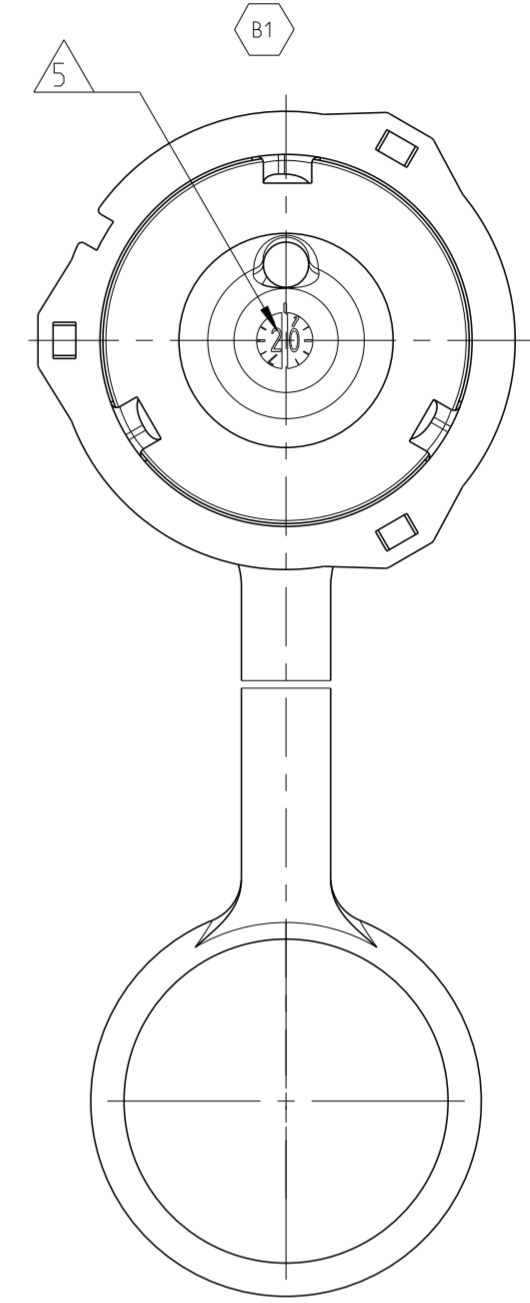
ASSEMBLY WITH PIN HOUSING IN CUT-OFF:
Zusammenbau mit Stiftgehäuse
im Befestigungsausschnitt:



1394277-1 WITH RING
mit Ring



SECTION A-A



1394277-2 WITHOUT RING
ohne Ring

- B1 NOTES
Bemerkungen
- 1 TE-PART NUMBER
TE-Part Nummer
 - 2 TE-LOGO or AMP-LOGO
TE-Logo or AMP-Logo
 - 3 MATERIAL MARKING
Werkstoffkennzeichnung
 - 4 REVISION OF THE MOULD
Werkzeugaenderungsindex
 - 5 PRODUCTION DATE
Produktionsdatum
 - 6 CAVITY MARKING
Nestmarkierung
 - 7 INJECTOR MARKING
Injektormarkierung
 - 8 SUITABLE FOR:
Passend zu Stiftgehäusen:

2-4POS. PIN HOUSING TE-NO. 967402;
5-7POS. PIN HOUSING TE-NO. 1718230

Passend zu:
2-4pol. stiftgehäuse TE-Nr. 967402;
5-7pol. stiftgehäuse TE-Nr. 1718230

9 PACKAGING: LOOSE PIECE IN CARDBOARD BOX
Verpackung: Schuetztgut im Versandkarton

| TE ORDER-NO. TE Bestell-Nr. | REV. | POS. | QTY Stueck | MATERIAL | SURFACE Oberflaeche COLOUR Farbe | DESCRIPTION SINGLE PARTS Beschreibung Einzelteile | ITEM NO Itd. Nr. | MATERIAL SEE TABLE siehe Tabelle | FINISH SEE TABLE siehe Tabelle | WEIGHT 7.82/8.42g | CUSTOMER DRAWING | SCALE 2:1 | SHEET 1 OF 2 | REV B1 |
|--------------------------------|------|------|---------------|-----------|---|--|---------------------------|--|--------------------------------------|----------------------|------------------|--------------|-----------------|-----------|
| 1394277-2 | B | 3 | 1 | PP/EPDM | BLACK schwarz | SEALING Dichtung | 2 | | | | | | | |
| | | 1 | 1 | PA66-GF30 | BLACK schwarz | COUPLING RING Kupplungsring | | | | | | | | |
| 1394277-1 | B | 2 | 1 | PP/EPDM | BLACK schwarz | SEALING WITH RING Dichtung mit Ring | 1 | | | | | | | |
| | | 1 | 1 | PA66-GF30 | BLACK schwarz | COUPLING RING Kupplungsring | | | | | | | | |

THIS DRAWING IS A CONTROLLED DOCUMENT.
DIESE ZEICHNUNG IST EIN KONTROLLIERTES DOKUMENT.

| | |
|-----------------------------------|--|
| DIMENSIONS: MASSEWERTEN: mm | TOLERANCES UNLESS OTHERWISE SPECIFIED: ALLGEMEINTOLERANZEN Acc. to ISO 8015 |
| 0-PLC ±0.5mm | |
| 1-PLC ± | |
| 2-PLC ± | |
| 3-PLC ± | |
| 4-PLC ± | |
| ANGLES | ± |

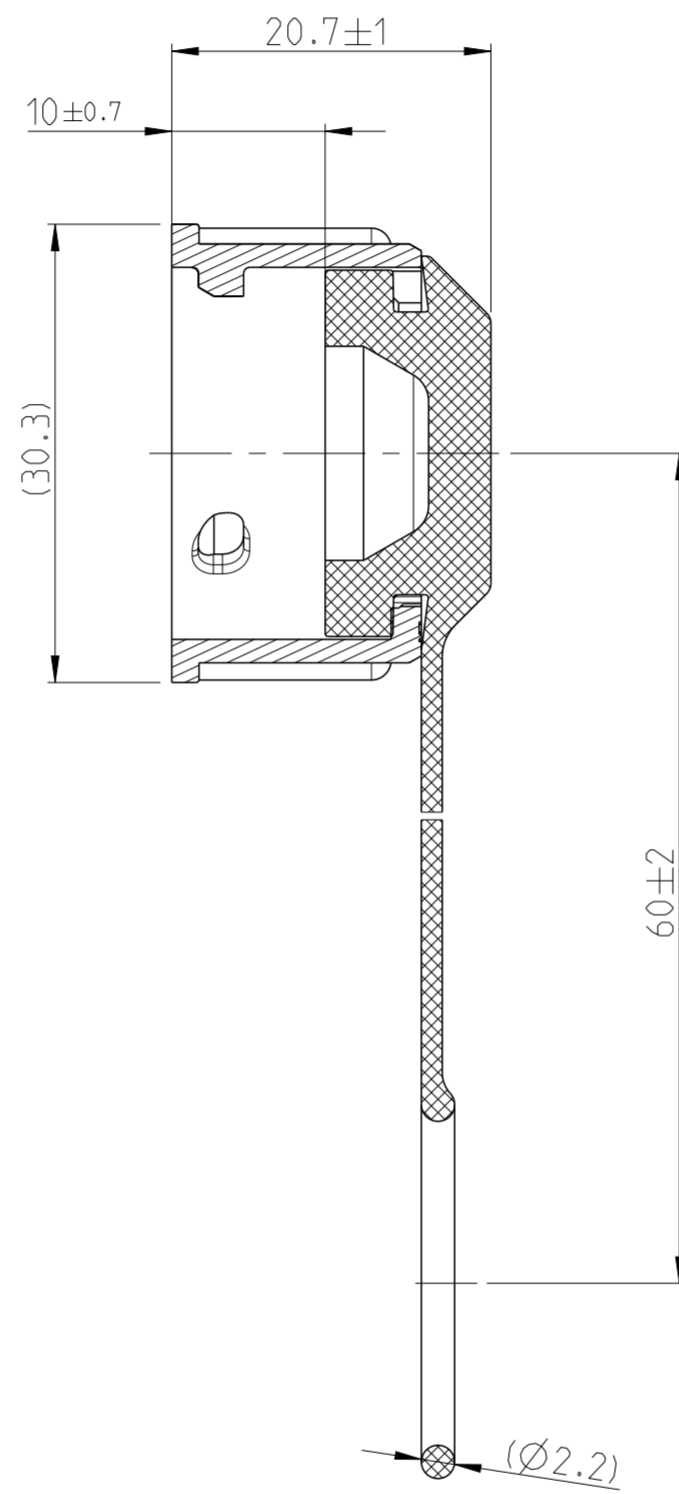
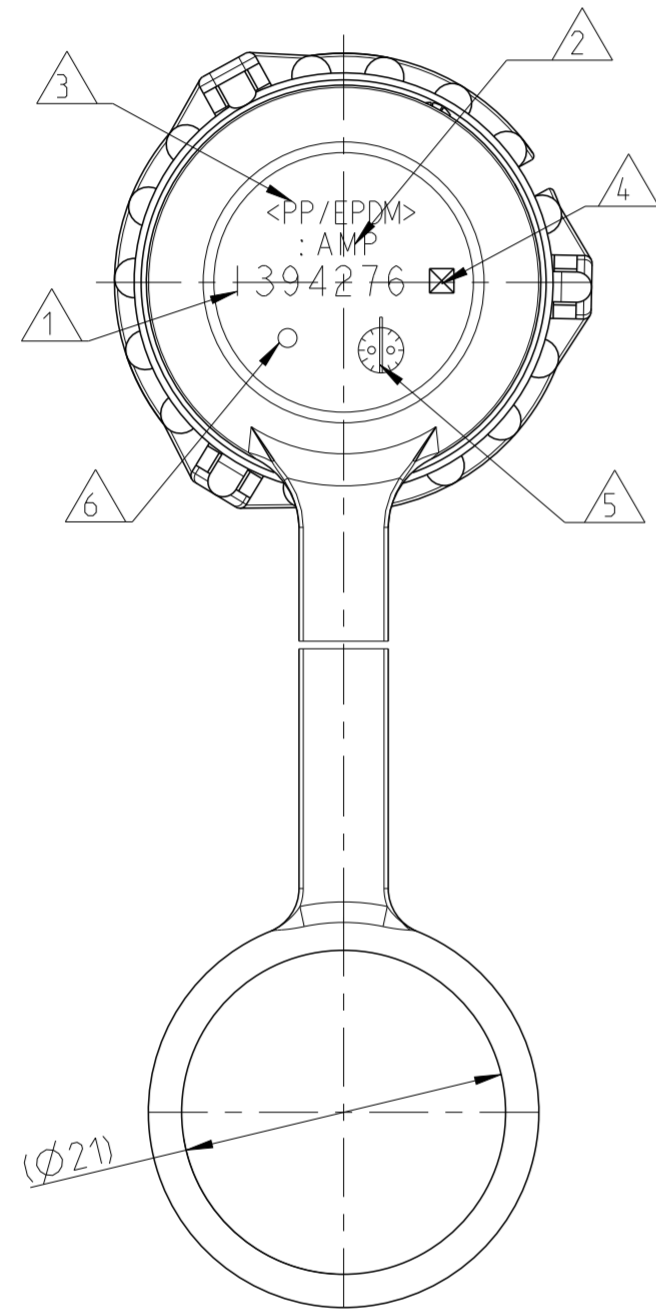
| | | | |
|---------------------------------|-------------------------------|-----------------------------------|---|
| DWN J.Granzow 06APR2000 | CHK J.Granzow 22APR2013 | APVD Ch. Eberwein 22APR2013 | NAME COVER FOR 4POS. AND 7POS. PIN HOUSING Schutzkappe |
| PRODUCT SPEC 108-18621/18622 | APPLICATION SPEC 114-18255 | SIZE A2 | CAGE CODE 00779 |
| WEIGHT 7.82/8.42g | DRAWING NO C-1394277 | RESTRICTED TO | |
| CUSTOMER DRAWING | SCALE 2:1 | SHEET 1 OF 2 | REV B1 |



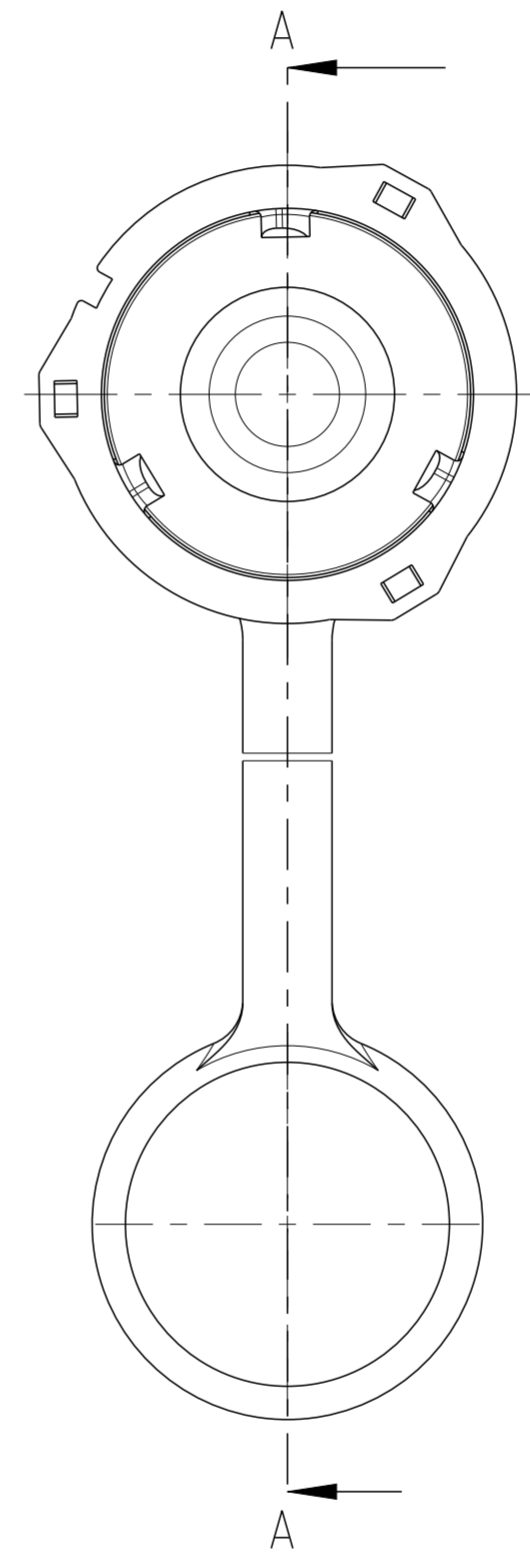
| P | LTR | DESCRIPTION | DATE | DWN | APVD |
|---|-----|-------------|------|-----|------|
| - | | SEE SHEET 1 | - | - | - |
| | | | | | |
| | | | | | |

B1 MOLD VARIANT 1 : PART MARKINGS

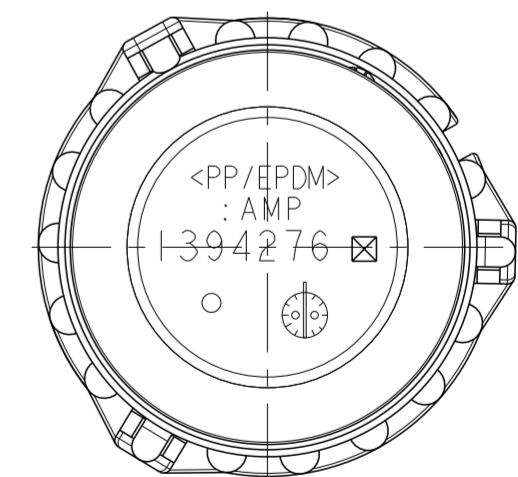
1394277-1 WITH RING
mit Ring



SECTION A-A



1394277-2 WITHOUT RING
ohne Ring



| | | | | |
|--|--|---------------------------------|--|--|
| THIS DRAWING IS A CONTROLLED DOCUMENT. DIESE ZEICHNUNG IST EIN KONTROLLIERTES DOKUMENT. | | DWN J.Granzow 06APR2000 | | |
| | | CHK J.Granzow 22APR2013 | | |
| DIMENSIONS: MASSE/WEITEN: (mm) | | APVD Ch. Eberwein 22APR2013 | NAME COVER FOR 4POS. AND 7POS.PIN HOUSING Schutzkappe | |
| TOLERANCES UNLESS OTHERWISE SPECIFIED: ALLGEMEINTOLERANZEN Acc.to ISO 8015 | | PRODUCT SPEC 108-18621/18622 | SIZE A2 | |
| 0-PLC ±0.5mm 1-PLC ± 2-PLC ± 3-PLC ± 4-PLC ± | | APPLICATION SPEC 114-18255 | CAGE CODE 00779 | |
| MATERIAL SEE TABLE siehe Tabelle | | WEIGHT 7.82/8.42g | DRAWING NO C-1394277 | |
| FINISH SEE TABLE siehe Tabelle | | CUSTOMER DRAWING | RESTRICTED TO | |
| | | SCALE 2:1 | SHEET 2 OF 2 | |
| | | | REV B1 | |

X-ON Electronics

Largest Supplier of Electrical and Electronic Components

Click to view similar products for [Automotive Connectors](#) category:

Click to view products by [TE Connectivity](#) manufacturer:

Other Similar products are found below :

[003-018-000](#) [60403001](#) [60993906-B](#) [M902-2131](#) [M902-2161](#) [M902-2344](#) [72.330.1035.1](#) [73.353.4028.0](#) [F119300-B](#) [F166900](#) [F258300-B](#)
[F358300-B](#) [F407400](#) [F444110](#) [F487000](#) [F509500B-B](#) [827153-1](#) [8N1515-32-24P](#) [9-1326729-8](#) [925474-1](#) [928905-1](#) [964562-4](#) [968782-1](#)
[GT17SA-8DS-HU](#) [98891-1012](#) [98947-1016](#) [12004147](#) [12004475-L](#) [12010290](#) [12015454](#) [12020219-B](#) [12041318-B](#) [12052225-L](#) [12052466](#)
[12064869](#) [12004327-B](#) [12015308](#) [12015384](#) [12015909](#) [1-21030-1](#) [12041254](#) [12041318](#) [12047946-B](#) [12047957](#) [12047957-L](#) [12059473](#)
[12066261](#) [12110546](#) [12110546-B](#) [12131792](#)