

1394324-2 ✓ ACTIVE

Housing for male terminals, Wire-to-Device / Wire-to-Board, 4 Position, Black, Code 1

[View on TE.com >](#)



Connectors > Automotive, Truck, Bus, & Off-Road Connectors > Connector Housings > CIRCULAR DIN HOUSINGS



Connector Style: **Housing for male terminals**

Mating Pin Diameter: 2.5 mm [.098 in]

Connector System: **Wire-to-Board, Wire-to-Device**

Number of Positions: 4

Sealable: **No**

[All CIRCULAR DIN HOUSINGS \(62\)](#)

Features

Product Type Features

Connector Style	Housing for male terminals
Connector System	Wire-to-Board, Wire-to-Device
Sealable	No
Hybrid Connector	No
Primary Locking Feature	On the Terminal
Strain Relief	No

Configuration Features

Number of Positions	4
---------------------	---

Electrical Characteristics

Nominal Voltage Architecture	12 V, 24 V, 42 V, 48 V
------------------------------	------------------------

Body Features

Cable Exit Angle	180°
Body Material	PBT GF
Color	Black



Connector Code	1
----------------	---

Contact Features

Mating Pin Diameter	2.5 mm[.098 in]
---------------------	-----------------

Mechanical Attachment

Terminal Position Assurance	No
-----------------------------	----

Mounting Feature	Without
------------------	---------

Polarized	No
-----------	----

Dimensions

Height	25.8 mm[1.01 in]
--------	------------------

Length	23 mm[.905 in]
--------	----------------

Usage Conditions

Operating Temperature Range	-40 – 120 °C[-40 – 248 °F]
-----------------------------	----------------------------

Industry Standards

Degree of Protection	IP67, IP69K
----------------------	-------------

UL Flammability Rating	UL 94-HB
------------------------	----------

Packaging Features

Packaging Method	Box
------------------	-----

Packaging Quantity	940
--------------------	-----

Other

Serviceable	No
-------------	----

Product Compliance

[For compliance documentation, visit the product page on TE.com>](#)

EU RoHS Directive 2011/65/EU	Compliant
------------------------------	-----------

EU ELV Directive 2000/53/EC	Compliant
-----------------------------	-----------

China RoHS 2 Directive MIIT Order No 32, 2016	No Restricted Materials Above Threshold
---	---

EU REACH Regulation (EC) No. 1907/2006	Current ECHA Candidate List: JAN 2019 (197) Candidate List Declared Against: DEC 2011 (71)
--	---

Halogen Content	Low Halogen - Br, Cl, F, I < 900 ppm per homogenous material. Also BFR/CFR/PVC Free
-----------------	---

Solder Process Capability	Not applicable for solder process capability
---------------------------	--

Product Compliance Disclaimer

This information is provided based on reasonable inquiry of our suppliers and represents our current actual knowledge based on the information they provided. This information is subject to change. The part numbers that TE has identified as EU RoHS compliant have a maximum concentration of 0.1% by weight in homogenous materials for lead, hexavalent chromium, mercury, PBB, PBDE, DBP, BBP, DEHP, DIBP, and 0.01% for cadmium, or qualify for an exemption to these limits as defined in the Annexes of Directive 2011/65/EU (RoHS2). Finished electrical and electronic equipment products will be CE marked as required by Directive 2011/65/EU. Components may not be CE marked. Additionally, the part numbers that TE has identified as EU ELV compliant have a maximum concentration of 0.1% by weight in homogenous materials for lead, hexavalent chromium, and mercury, and 0.01% for cadmium, or qualify for an exemption to these limits as defined in the Annexes of Directive 2000/53/EC (ELV). Regarding the REACH Regulations, TE's information on SVHC in articles for this part number is still based on the European Chemical Agency (ECHA) 'Guidance on requirements for substances in articles' (Version: 2, April 2011), applying the 0.1% weight on weight concentration threshold at the finished product level. TE is aware of the European Court of Justice ruling of September 10th, 2015 also known as O5A (Once An Article Always An Article) stating that, in case of 'complex object', the threshold for a SVHC must be applied to both the product as a whole and simultaneously to each of the articles forming part of its composition. TE has evaluated this ruling based on the new ECHA "Guidance on requirements for substances in articles" (June 2017, version 4.0) and will be updating its statements accordingly.

Compatible Parts



TE Part # 1-967325-1
2,5MM BU-GEH 4P

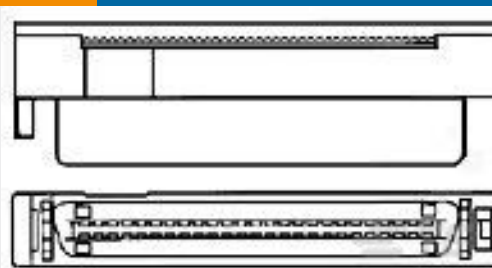


TE Part # 1-968968-1
2,5MM BU-GEH ASSY4P

Customers Also Bought



TE Part #1766442-1
284-0223-01303=CONN,
SKT,MINI



TE Part #5178647-4
CHAMP 050 B-T-B REC
HDR ASSY H



TE Part #7-1415027-1
PT271006



TE Part #1-1318126-2
V-HDR ASSY 12P FOR
SEQUENTIAL



TE Part #2-1674755-0
REC ASSY FOR MINI CT
HYBIRD DR



TE Part #3-179608-0
CT DBL ROW HOLDER,
MT,30P,NA



TE Part #6-292171-2
CT POST HDR ASSY 2P IN
TUBE NA



TE Part #7-173977-4
CT CONN MT REC ASSY
14P BLACK



Documents

Product Drawings

2,5MM STIFTSTECK 4P

German

CAD Files

Customer View Model

[ENG_CVM_1394324-2_A2.2d_dxf.zip](#)

English

Customer View Model

[ENG_CVM_1394324-2_A2.3d_igs.zip](#)

English

Customer View Model

[ENG_CVM_1394324-2_A2.3d_stp.zip](#)

English

3D PDF

English

Datasheets & Catalog Pages

CONNECTOR SELECTOR

English

Product Specifications

Application Specification

German

X-ON Electronics

Largest Supplier of Electrical and Electronic Components

Click to view similar products for [Automotive Connectors](#) category:

Click to view products by [TE Connectivity](#) manufacturer:

Other Similar products are found below :

[003-018-000](#) [60403001](#) [60993906-B](#) [M902-2131](#) [M902-2161](#) [M902-2344](#) [72.330.1035.1](#) [73.353.4028.0](#) [F119300-B](#) [F166900](#) [F258300-B](#)
[F358300-B](#) [F407400](#) [F444110](#) [F487000](#) [F509500B-B](#) [827153-1](#) [8N1515-32-24P](#) [9-1326729-8](#) [925474-1](#) [928905-1](#) [964562-4](#) [968782-1](#)
[GT17SA-8DS-HU](#) [98891-1012](#) [98947-1016](#) [12004147](#) [12004475-L](#) [12010290](#) [12010309-B](#) [12015454](#) [12020219-B](#) [12041318-B](#) [12052225-](#)
[L](#) [12052466](#) [12064869](#) [12004327-B](#) [12015308](#) [12015384](#) [12015909](#) [1-21030-1](#) [12041254](#) [12041318](#) [12047946-B](#) [12047957](#) [12047957-L](#)
[12059473](#) [12066261](#) [12110546](#) [12110546-B](#)