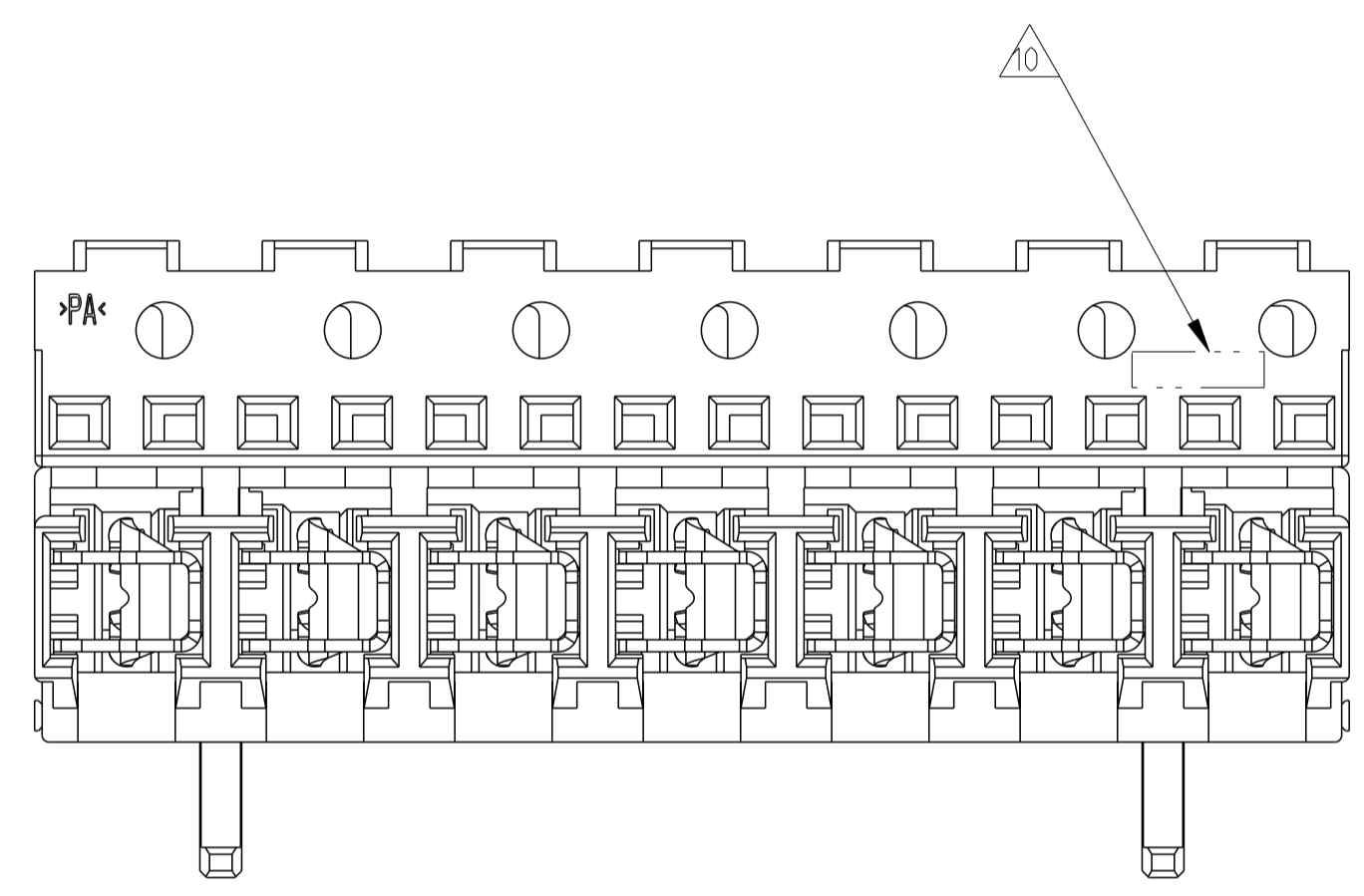
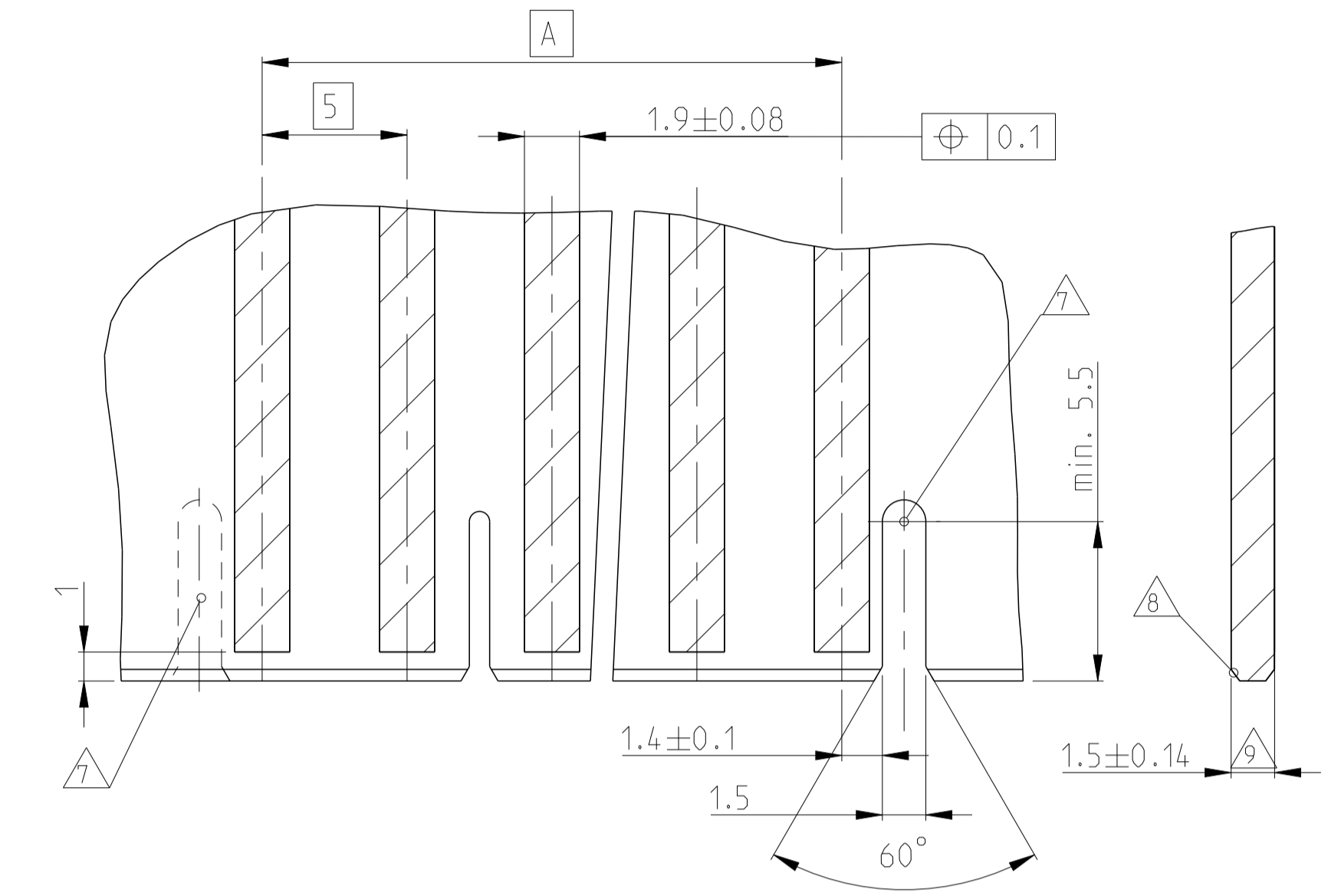
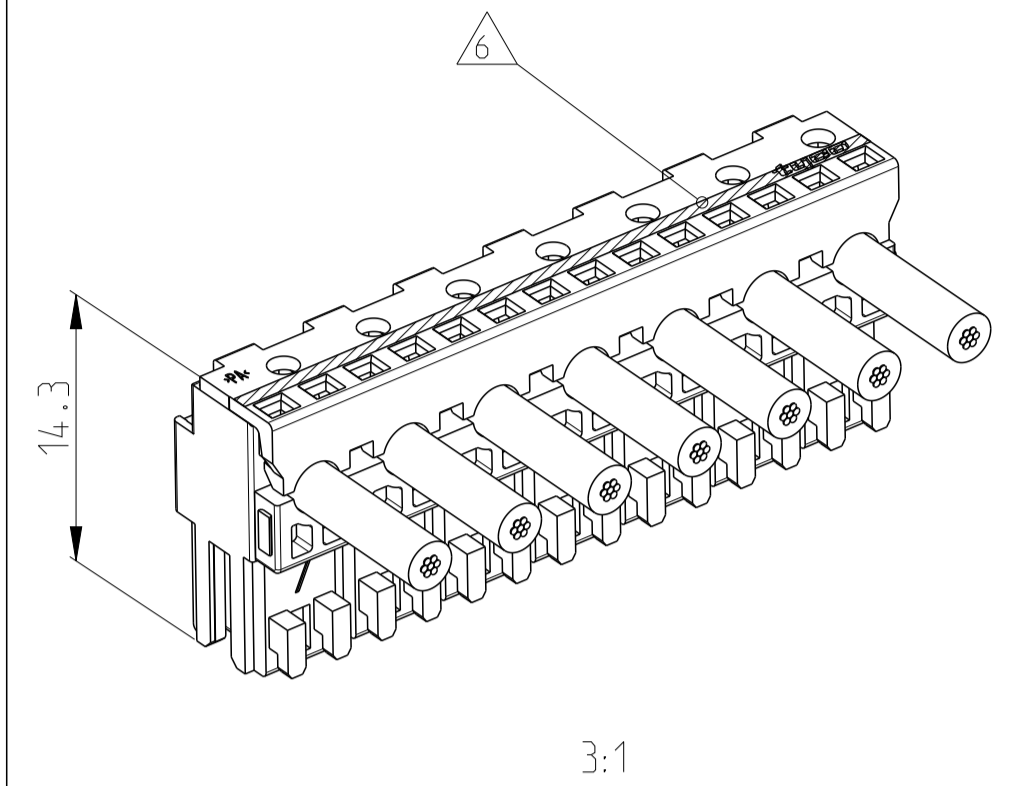
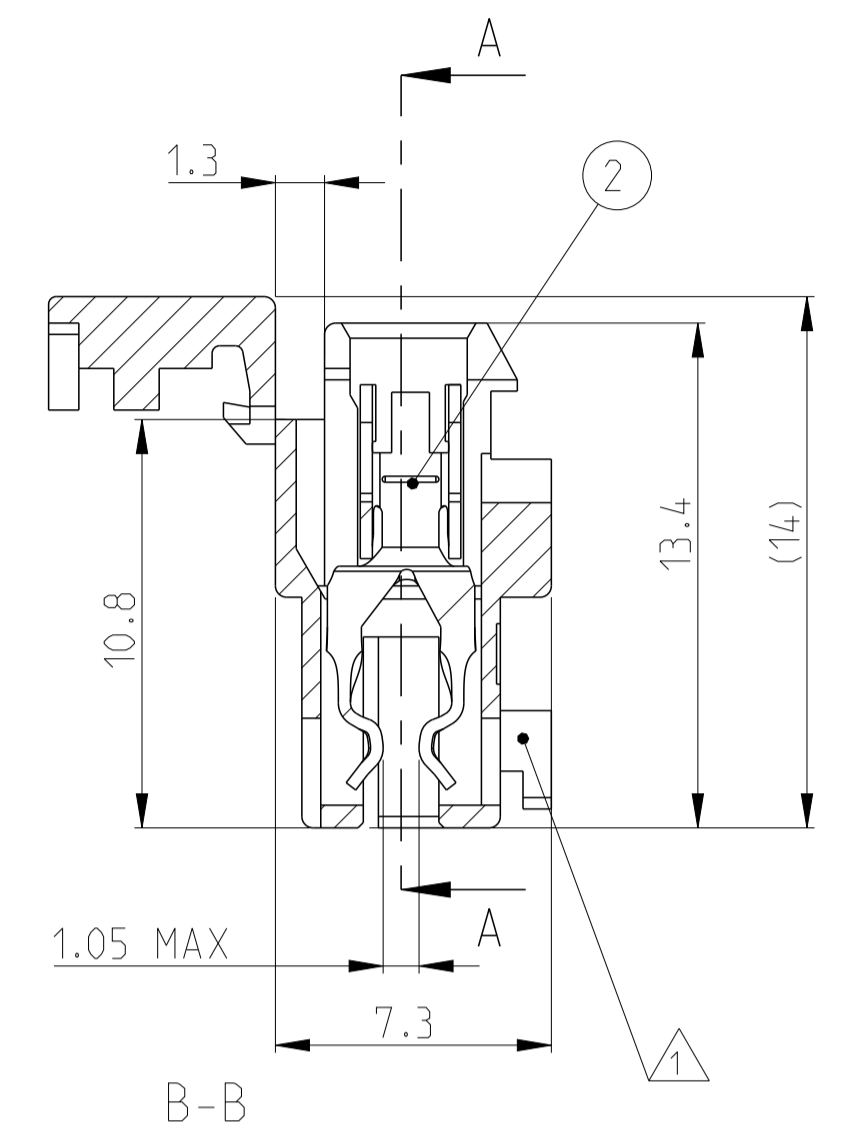
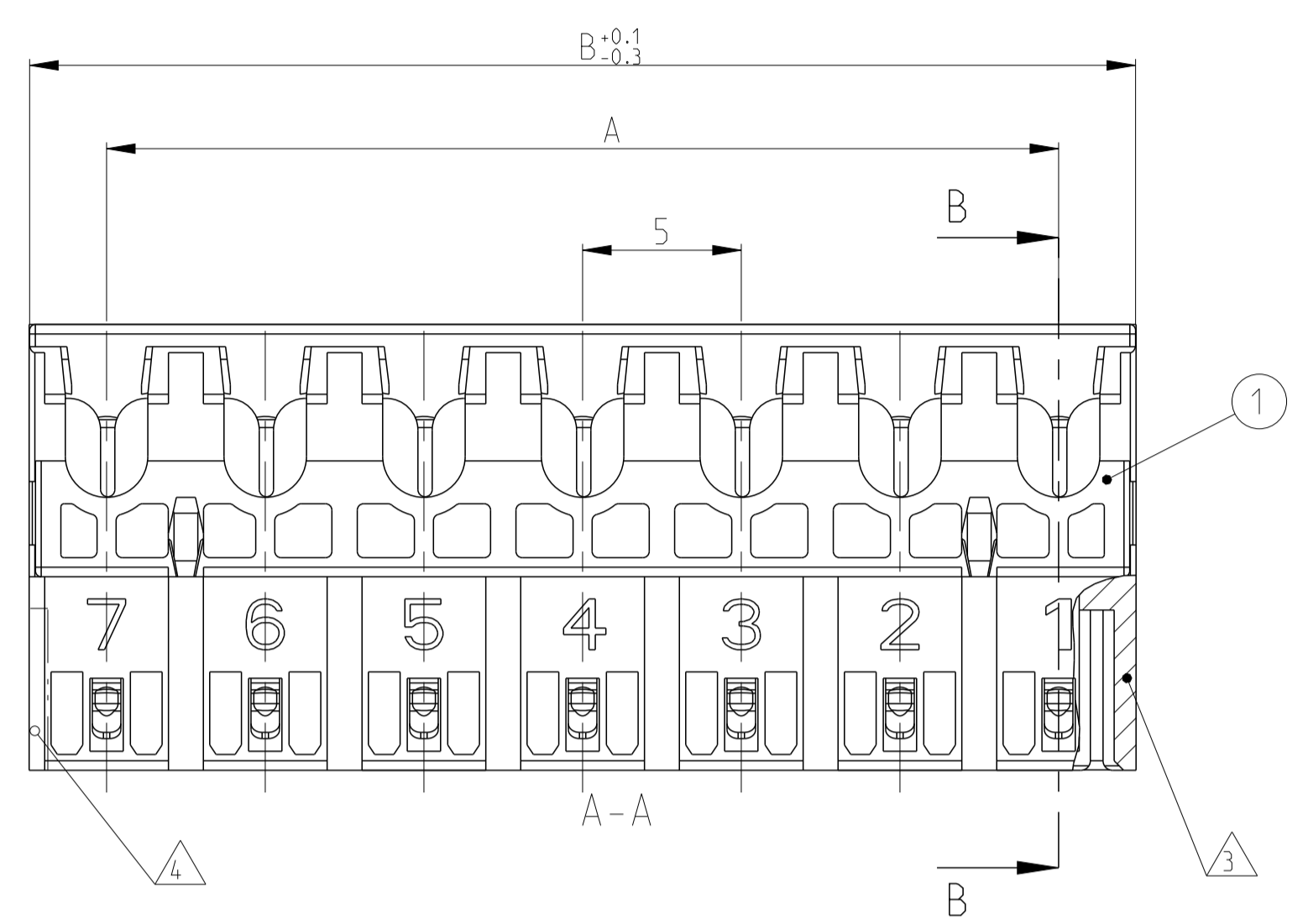
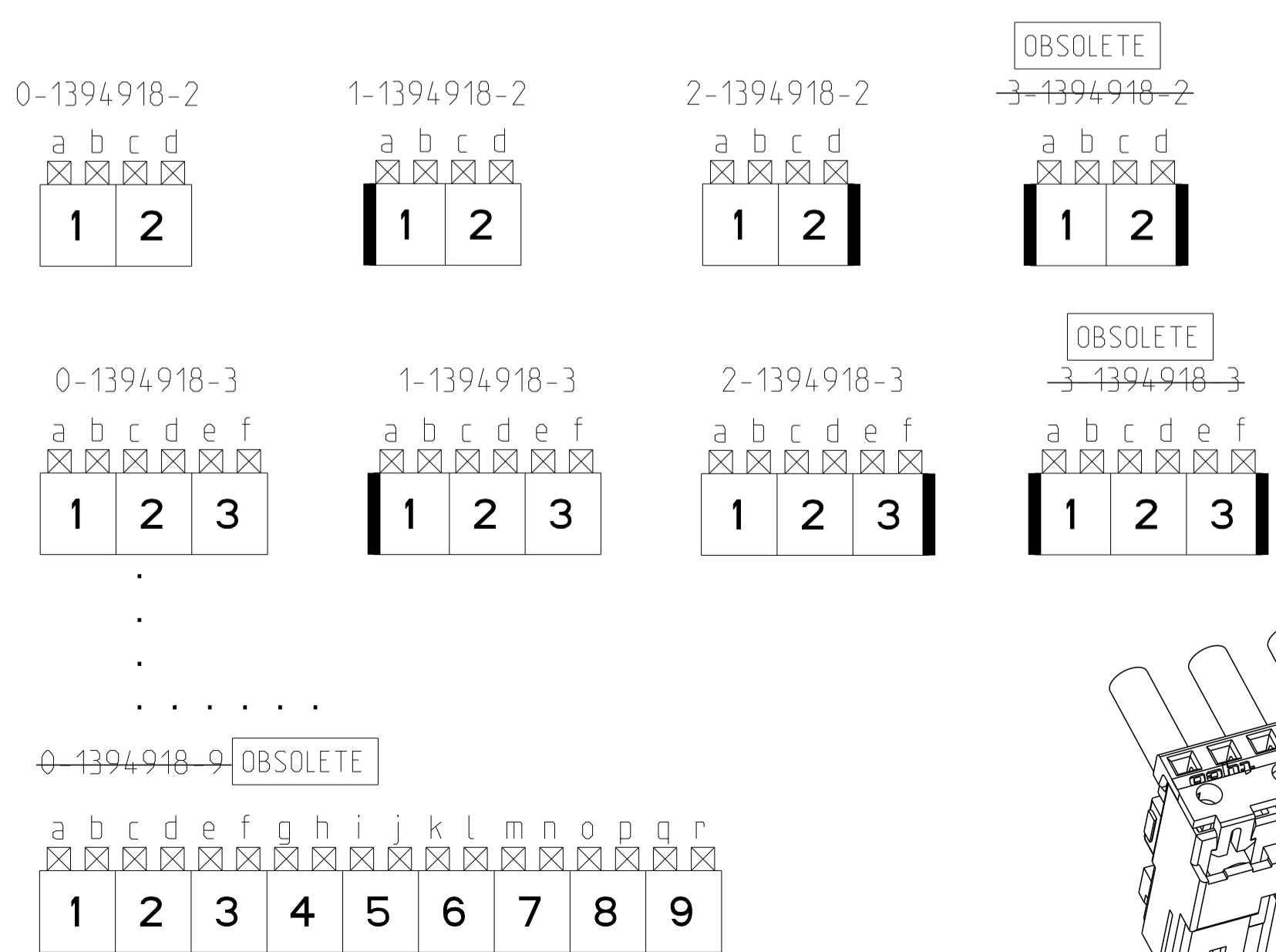


| LOC | DIST | REVISIONS | | | |
|-----|---------------------------|-------------|-----------|-----|------|
| P | LTN | DESCRIPTION | DATE | DWN | APVD |
| F2 | ECR-17-006237 | | 03MAY2017 | IZ | RR |
| F3 | ECR-17-006579 | | 26MAY2017 | IZ | RR |
| F4 | ECR-19-014180 | | 10OCT2019 | MP | FL |
| F5 | REVISED PER ECR-20-011072 | | 10AUG2020 | BDA | W W |

PCB LAYOUT KEYED / CONNECTED ONLY WITH ADDITIONAL FRAME
Leiterplattenanschluss kodiert / nur in Verbindung mit zusätzlichem Rahmen



KEYING PLAN (VIEW Z)
Kodierschema (Ansicht Z)



- 12 PART NOT YET RELEASED FOR PRODUCTION
- 11 OBSOLETE
- 10 TE LOGO
- 9 INCLUSIVE COPPER CLADDING:
Inklusive Kupferkaschierung:
- 8 PCB PREFERABLY CHAMFERED.
Leiterplatte vorzugsweise angefast.
- 7 SLOT FOR SIDE KEYING, 4, 4.
Schlitz fuer Seitenkodierung, 4, 4.
- 6 COLOUR MARKING ON TOP OF HOUSING OPTIONAL ON TERMINATION MACHINE
Farbmarkierung auf Gehäuseoberseite optional an Verarbeitungsmaschine
- 5 MATING PART: PCB (WITH FRAMES ACC. RAST 2.5 E.G. PN 964 575/576)
TABHEADER PN 1 534 787/788
Passender Gegenstecker: Leiterplatten (mit Rahmen nach RAST 2.5 z.B. 964 575/576)
Tabwannen Nr. 1 534 787/788
- 4 SIDE KEYING, ON LAST CAVITY
Seitenkodierung, an letzter Kammer
- 3 SIDE KEYING, ON CAVITY 1
Seitenkodierung, an Kammer 1
- 2 WIRE RANGE: 0.35-0.75 mm²
Drahtgrößenbereich: 0.35-0.75 mm²
- 1 KEYING RIBS; CUTTING WITH TERMINATION MACHINE POSSIBLE
Kodierrippe; Schneiden auf der Verarbeitungsmaschine moeglich

| POS. | DIM A | DIM B | KEYING | KEYING | TE P/N |
|------|-------|-------|--------|--------|---------------------------|
| 9 | 40 | 44.9 | - | - | 0-1394918-9 ¹¹ |
| 8 | 35 | 39.9 | - | - | 0-1394918-8 ¹¹ |
| 7 | 30 | 34.9 | - | - | 0-1394918-7 |
| 6 | 25 | 29.9 | - | - | 0-1394918-6 |
| 5 | 20 | 24.9 | - | - | 0-1394918-5 |
| 4 | 15 | 19.9 | - | - | 0-1394918-4 |
| 3 | 10 | 14.9 | X | X | 3-1394918-3 ¹¹ |
| 3 | 10 | 14.9 | X | - | 2-1394918-3 |
| 3 | 10 | 14.9 | - | X | 1-1394918-3 |
| 3 | 10 | 14.9 | - | - | 0-1394918-3 |
| 2 | 5 | 9.9 | X | X | 3-1394918-2 ¹¹ |
| 2 | 5 | 9.9 | X | - | 2-1394918-2 |
| 2 | 5 | 9.9 | - | X | 1-1394918-2 |
| 2 | 5 | 9.9 | - | - | 0-1394918-2 |

| 2 | SEE TABLE | CONTACT | CuNiSi | TINNED |
|------|-----------|-------------|-----------------|---------------|
| 1 | | HOUSING | PA 6.6 UL94 V-0 | GREY |
| POS. | TE P/N | DESCRIPTION | MATERIAL | COLOUR/FINISH |

THIS DRAWING IS A CONTROLLED DOCUMENT.

DIMENSIONS: mm

TOLERANCES UNLESS OTHERWISE SPECIFIED:

| | |
|--------|-------|
| 0 PLC | ±0.2 |
| 1 PLC | ±0.2 |
| 2 PLC | ±0.2 |
| 3 PLC | ±0.2 |
| 4 PLC | ±0.2 |
| ANGLES | ±0.1° |

MATERIAL: - FINISH: -

WEIGHT: -

CUSTOMER DRAWING

DWN: A. Weber 10MAY2001
CHK: B. Schnaubelt 10MAY2001
APVD: T. Klenner 10MAY2001

NAME: AMP DUOPLUG POWER FEMALE CONNECTOR (STANDARD VERSION)

PRODUCT SPEC: 108-18780
APPLICATION SPEC: 114-18458

SIZE: A1 CAGE CODE: 00779 DRAWING NO: C=1394918

RESTRICTED TO: REV: F5

SCALE: 5:1 SHEET: 1 OF 1

X-ON Electronics

Largest Supplier of Electrical and Electronic Components

Click to view similar products for [Headers & Wire Housings](#) category:

Click to view products by [TE Connectivity](#) manufacturer:

Other Similar products are found below :

[892-18-020-10-001101](#) [58102-G61-06LF](#) [582553-1](#) [0009485154](#) [009176003701906](#) [0050291907](#) [LY20-4P-DT1-P1E-BR](#) [02.125.8002.8](#)
[609-3404](#) [61062-3](#) [61082-181009](#) [622-3653LF](#) [63453-116](#) [636-1030](#) [636-1427](#) [636-3427](#) [636-4007](#) [641938-9](#) [641991-4](#) [644827-2](#) [65817-010LF](#) [65817-015LF](#) [65863-015LF](#) [66207-023LF](#) [67095-007LF](#) [67601157](#) [68645-018](#) [68648-049](#) [70.362.1628.0](#) [70-4210](#) [70-4226B](#) [70-4853B](#) [707-5020](#) [707-5028](#) [71.350.2428.0](#) [71918-208LF](#) [71961-016LF](#) [733-134](#) [733-162](#) [754199-000](#) [760-3052](#) [787-8014-00](#) [79531-3000](#)
[FCN-360C032-B](#) [FCN-367T-T012/H](#) [FCN-723D010/2](#) [80.063.4001.1](#) [800-90-001-10-001000](#) [800-90-010-10-002000](#) [801-43-002-10-013000](#)