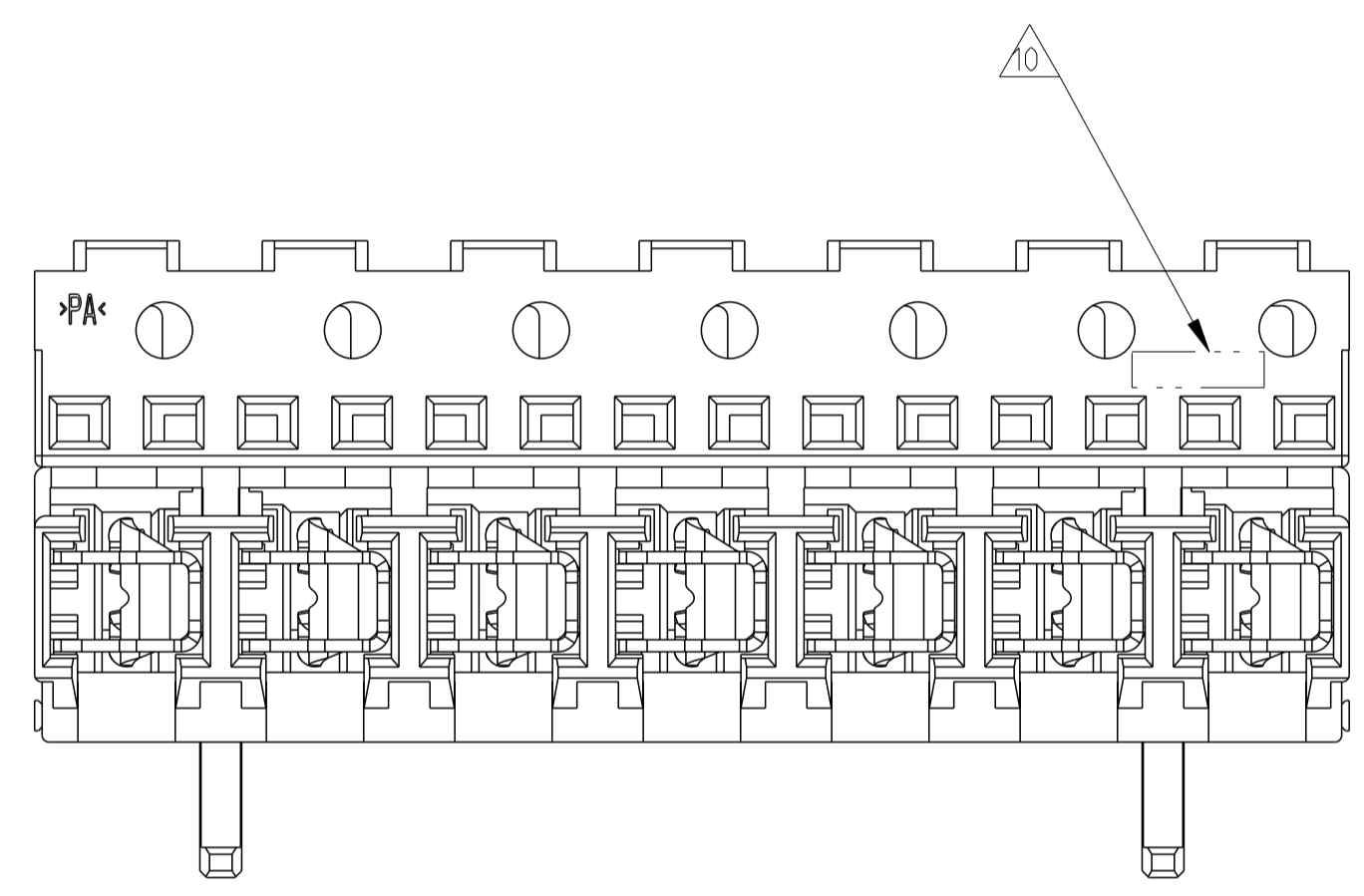
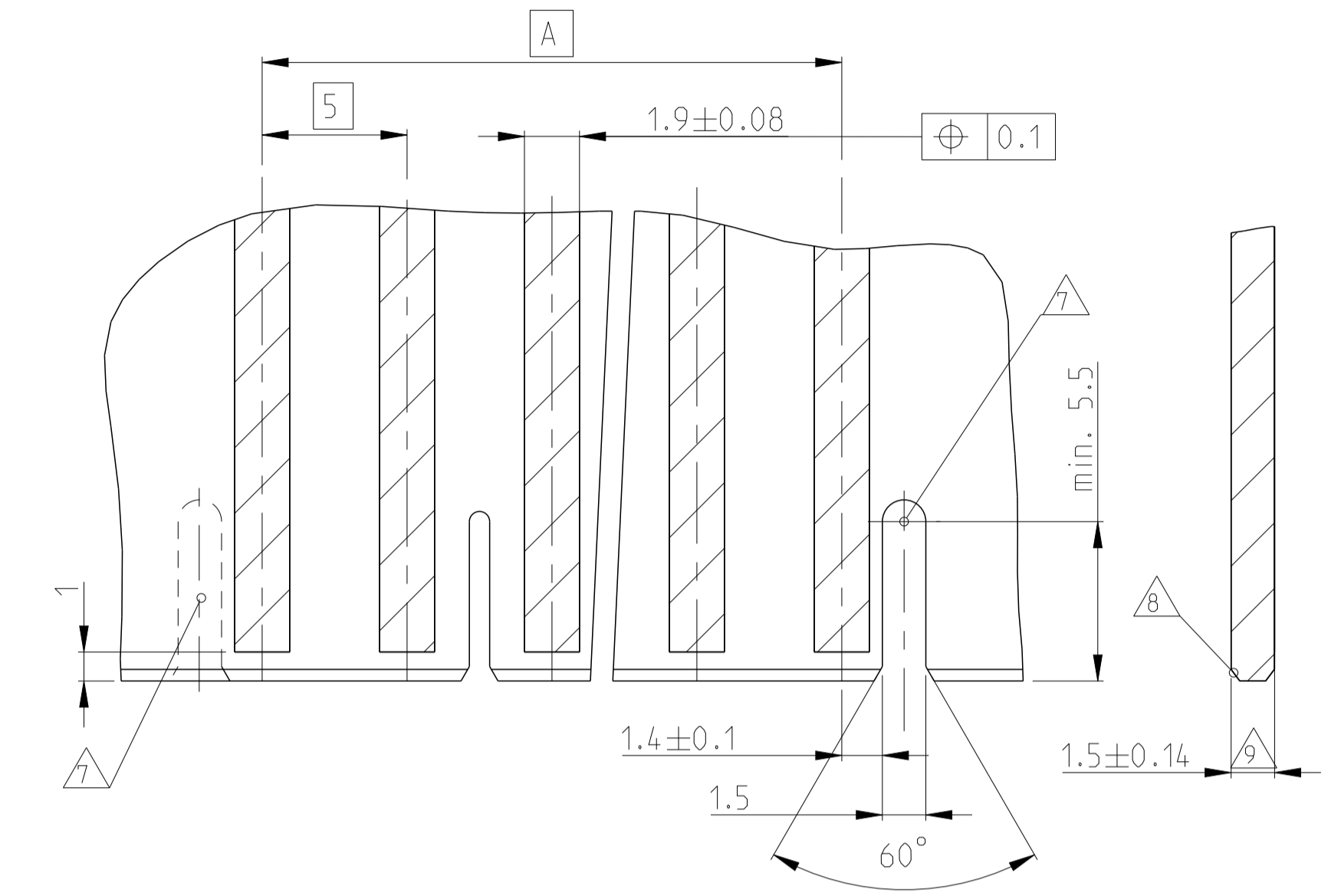
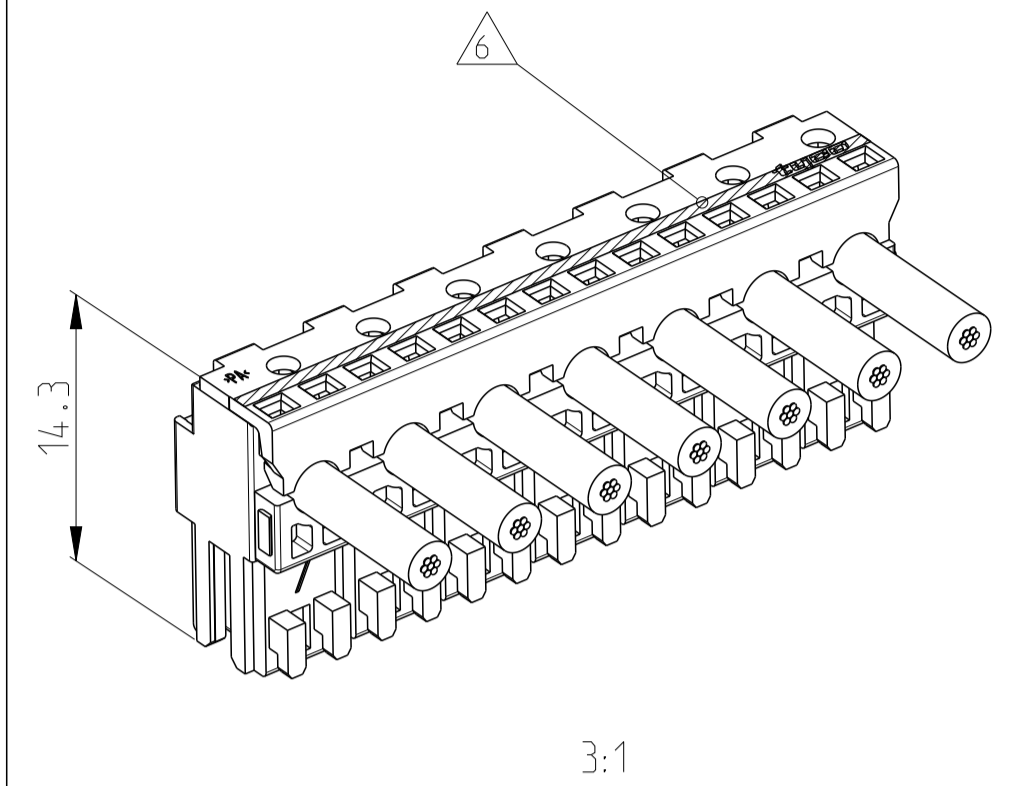
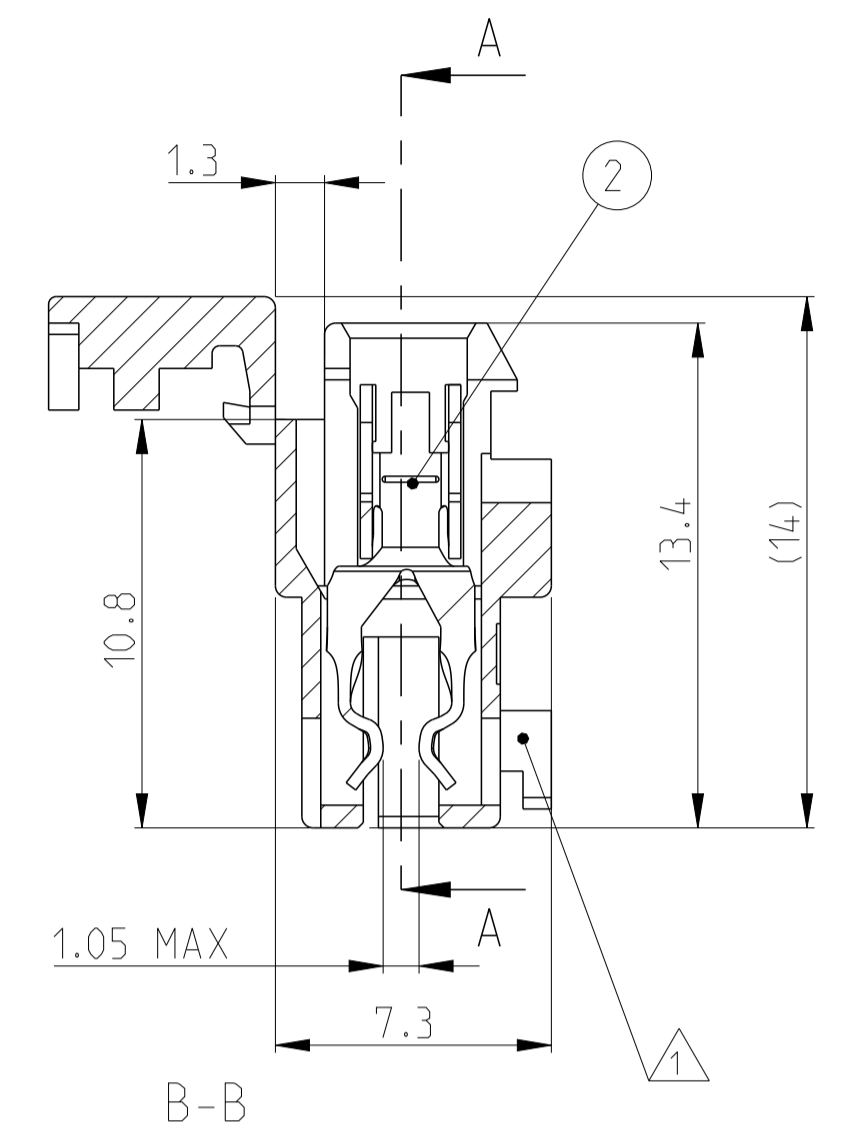
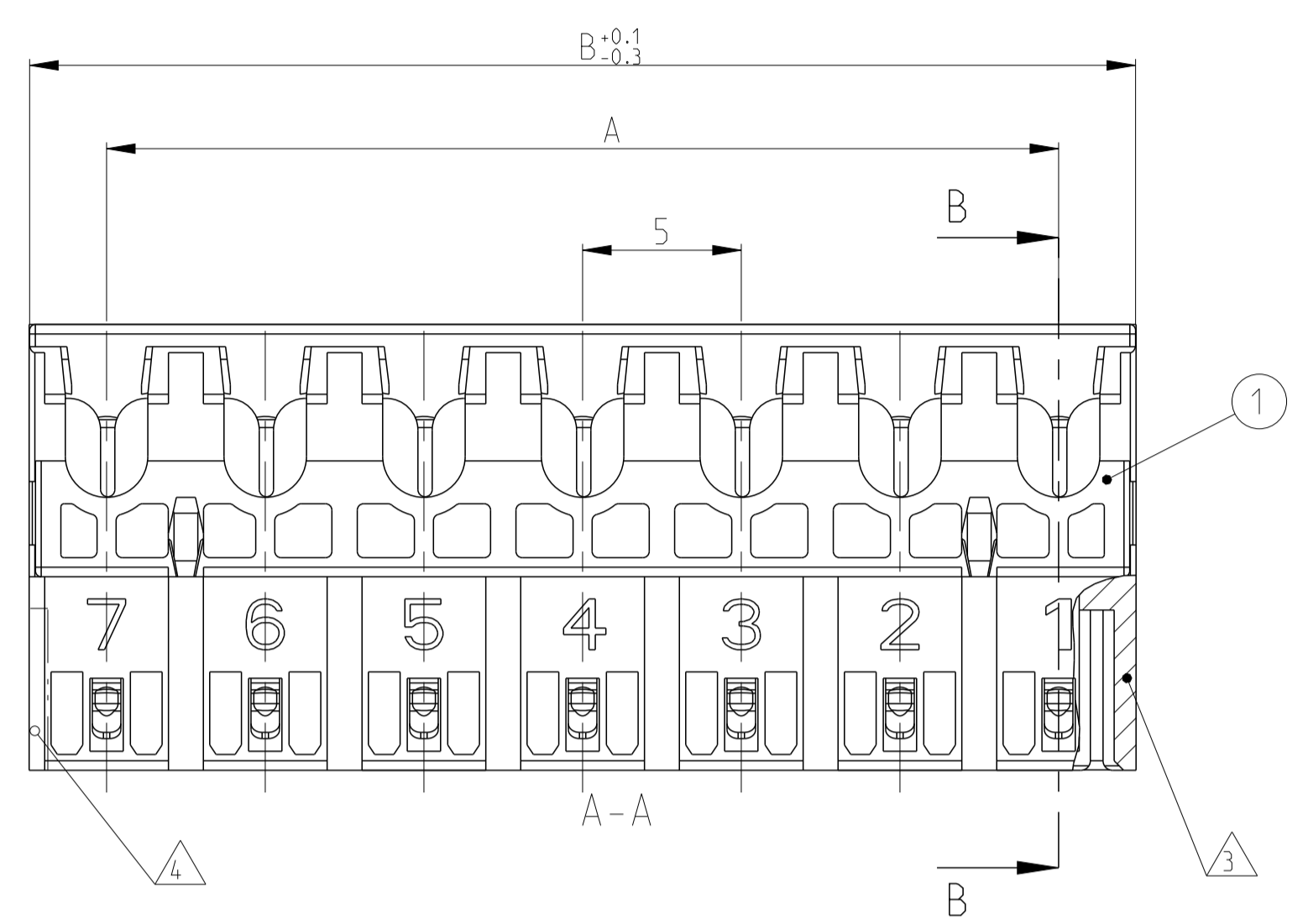
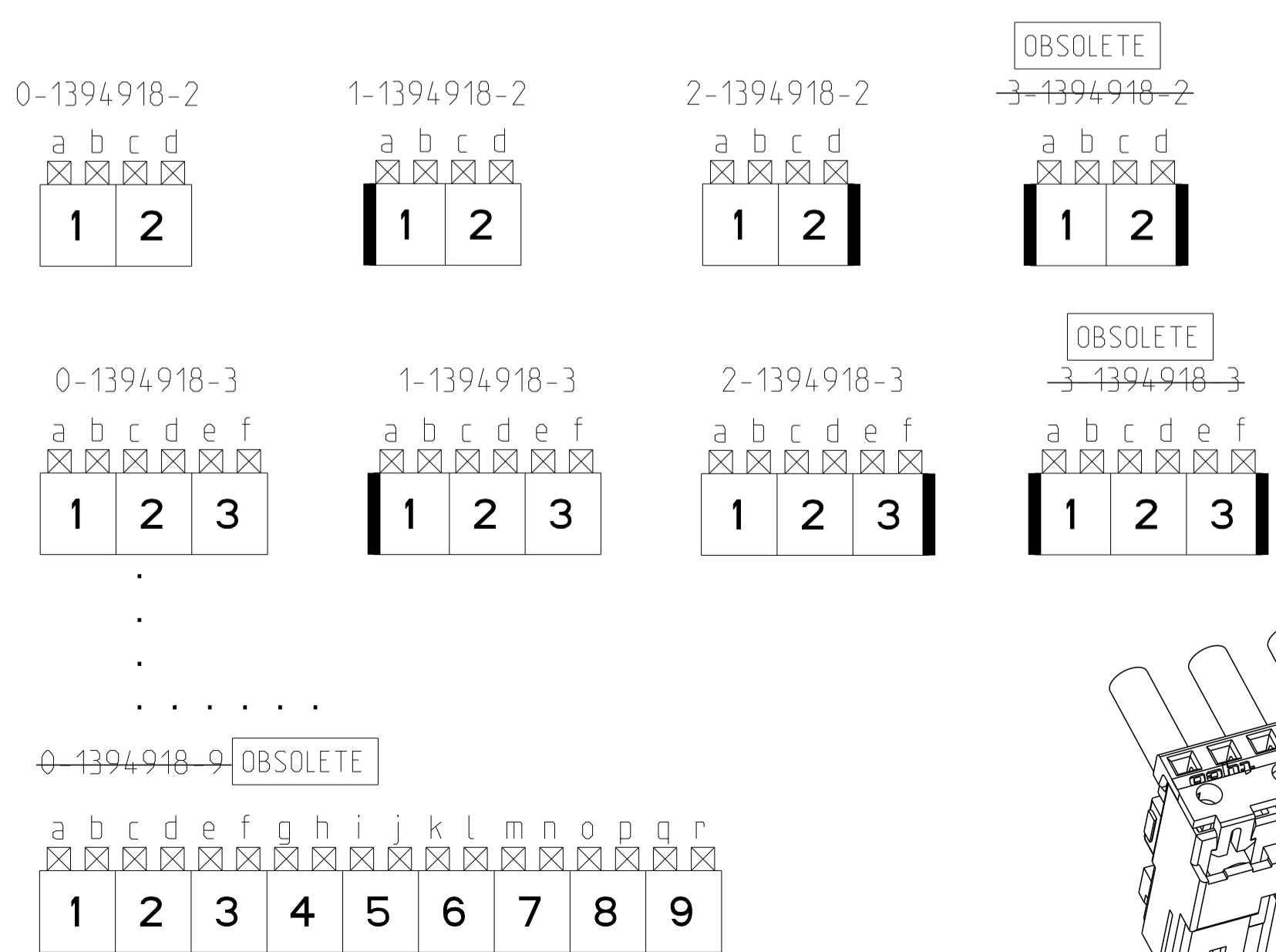


| LOC | DIST | REVISIONS |                           |             |           |     |      |
|-----|------|-----------|---------------------------|-------------|-----------|-----|------|
| A1  | -    | P         | LTN                       | DESCRIPTION | DATE      | DWN | APVD |
|     |      | F2        | ECR-17-006237             |             | 03MAY2017 | IZ  | RR   |
|     |      | F3        | ECR-17-006579             |             | 26MAY2017 | IZ  | RR   |
|     |      | F4        | ECR-19-014180             |             | 10OCT2019 | MP  | FL   |
|     |      | F5        | REVISED PER ECR-20-011072 |             | 10AUG2020 | BDA | W W  |

PCB LAYOUT KEYED / CONNECTED ONLY WITH ADDITIONAL FRAME  
 Leiterplattenanschluss kodiert / nur in Verbindung mit zusätzlichem Rahmen



KEYING PLAN (VIEW Z)  
 Kodierschema (Ansicht Z)



- 12 PART NOT YET RELEASED FOR PRODUCTION
- 11 OBSOLETE
- 10 TE LOGO
- 9 INCLUSIVE COPPER CLADDING:  
Inklusive Kupferkaschierung:
- 8 PCB PREFERABLY CHAMFERED.  
Leiterplatte vorzugsweise angefast.
- 7 SLOT FOR SIDE KEYING, 4, 4.  
Schlitz fuer Seitenkodierung, 4, 4.
- 6 COLOUR MARKING ON TOP OF HOUSING OPTIONAL ON TERMINATION MACHINE  
Farbmarkierung auf Gehäuseoberseite optional an Verarbeitungsmaschine
- 5 MATING PART: PCB (WITH FRAMES ACC. RAST 2.5 E.G. PN 964 575/576)  
TABHEADER PN 1 534 787/788  
Passender Gegenstecker: Leiterplatten (mit Rahmen nach RAST 2.5 z.B. 964 575/576)  
Tabwannen Nr. 1 534 787/788
- 4 SIDE KEYING, ON LAST CAVITY  
Seitenkodierung, an letzter Kammer
- 3 SIDE KEYING, ON CAVITY 1  
Seitenkodierung, an Kammer 1
- 2 WIRE RANGE: 0.35-0.75 mm<sup>2</sup>  
Drahtgrößenbereich: 0.35-0.75 mm<sup>2</sup>
- 1 KEYING RIBS; CUTTING WITH TERMINATION MACHINE POSSIBLE  
Kodierrippe; Schneiden auf der Verarbeitungsmaschine moeglich

| POS. | DIM A | DIM B | KEYING | KEYING | TE P/N                    |
|------|-------|-------|--------|--------|---------------------------|
| 9    | 40    | 44.9  | -      | -      | 0-1394918-9 <sup>11</sup> |
| 8    | 35    | 39.9  | -      | -      | 0-1394918-8 <sup>11</sup> |
| 7    | 30    | 34.9  | -      | -      | 0-1394918-7               |
| 6    | 25    | 29.9  | -      | -      | 0-1394918-6               |
| 5    | 20    | 24.9  | -      | -      | 0-1394918-5               |
| 4    | 15    | 19.9  | -      | -      | 0-1394918-4               |
| 3    | 10    | 14.9  | X      | X      | 3-1394918-3 <sup>11</sup> |
| 3    | 10    | 14.9  | X      | -      | 2-1394918-3               |
| 3    | 10    | 14.9  | -      | X      | 1-1394918-3               |
| 3    | 10    | 14.9  | -      | -      | 0-1394918-3               |
| 2    | 5     | 9.9   | X      | X      | 3-1394918-2 <sup>11</sup> |
| 2    | 5     | 9.9   | X      | -      | 2-1394918-2               |
| 2    | 5     | 9.9   | -      | X      | 1-1394918-2               |
| 2    | 5     | 9.9   | -      | -      | 0-1394918-2               |

| 2    | SEE TABLE | CONTACT     | CuNiSi          | TINNED        |
|------|-----------|-------------|-----------------|---------------|
| 1    |           | HOUSING     | PA 6.6 UL94 V-0 | GREY          |
| POS. | TE P/N    | DESCRIPTION | MATERIAL        | COLOUR/FINISH |

THIS DRAWING IS A CONTROLLED DOCUMENT. DWN: A. Weber, 10MAY2001  
 CHK: B. Schnaubelt, 10MAY2001  
 APVD: T. Klenner, 10MAY2001

**STE** TE Connectivity

NAME: AMP DUOPLUG POWER FEMALE CONNECTOR (STANDARD VERSION)

PRODUCT SPEC: 108-18780  
 APPLICATION SPEC: 114-18458

SIZE: A1, CAGE CODE: 00779, DRAWING NO: C=1394918, SHEET 1 OF 1, REV: F5

MATERIAL: - FINISH: - WEIGHT: - SCALE: 5:1

## X-ON Electronics

Largest Supplier of Electrical and Electronic Components

*Click to view similar products for [Headers & Wire Housings](#) category:*

*Click to view products by [TE Connectivity](#) manufacturer:*

Other Similar products are found below :

[892-18-020-10-001101](#) [58102-G61-06LF](#) [582553-1](#) [0009485154](#) [009176003701906](#) [0050291907](#) [LY20-4P-DT1-P1E-BR](#) [02.125.8002.8](#)  
[609-3404](#) [61062-3](#) [61082-181009](#) [622-3653LF](#) [63453-116](#) [636-1030](#) [636-1427](#) [636-3427](#) [636-4007](#) [641938-9](#) [641991-4](#) [644827-2](#) [65817-](#)  
[010LF](#) [65817-015LF](#) [65863-015LF](#) [66207-023LF](#) [67095-007LF](#) [67601157](#) [68645-018](#) [68648-049](#) [70.362.1628.0](#) [70-4210](#) [70-4226B](#) [70-](#)  
[4853B](#) [707-5020](#) [707-5028](#) [71.350.2428.0](#) [71918-208LF](#) [71961-016LF](#) [733-134](#) [733-162](#) [754199-000](#) [760-3052](#) [787-8014-00](#) [79531-3000](#)  
[FCN-360C032-B](#) [FCN-367T-T012/H](#) [FCN-723D010/2](#) [80.063.4001.1](#) [800-90-001-10-001000](#) [800-90-010-10-002000](#) [801-43-002-10-013000](#)