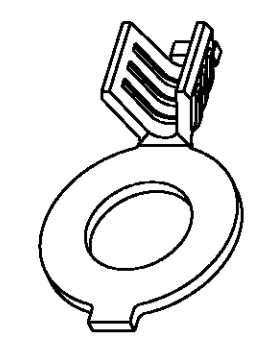
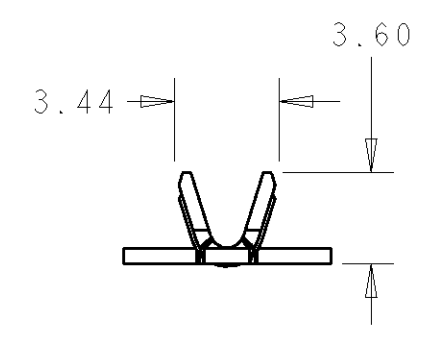
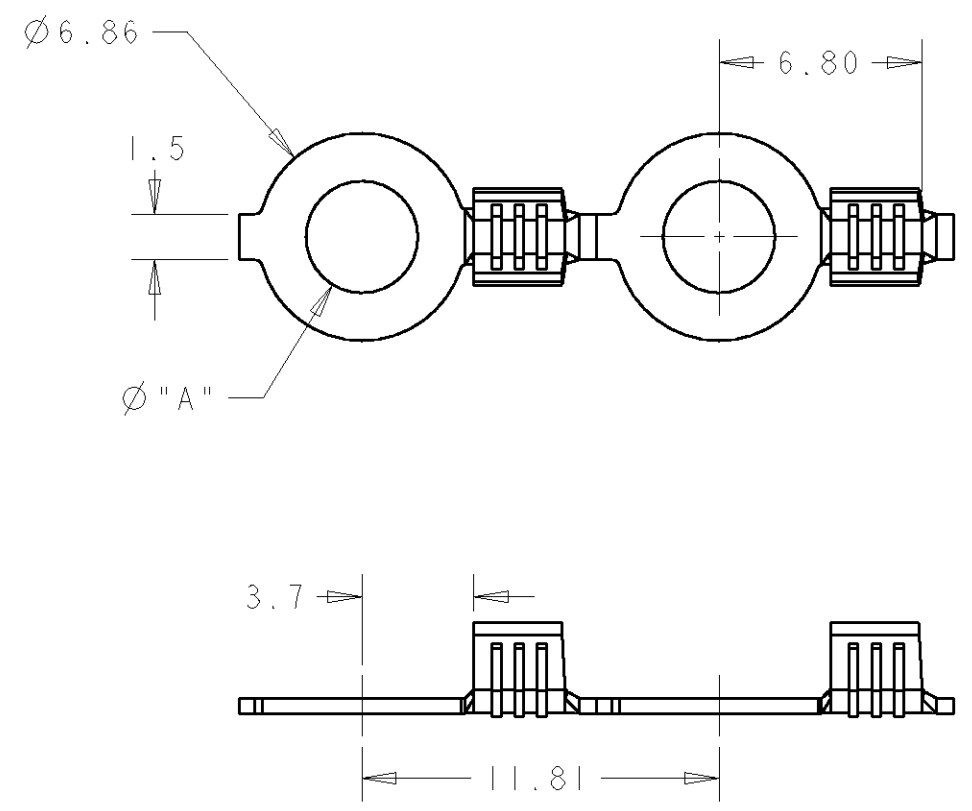


THIS DRAWING IS UNPUBLISHED. RELEASED FOR PUBLICATION 20
 © COPYRIGHT 20 BY TYCO ELECTRONICS CORPORATION. ALL RIGHTS RESERVED.

| LOC | DIST | REVISIONS | | | | | |
|-----|------|-----------|-----------|----------------------|----------------|-----------|------------|
| E | B | P | LTR | DESCRIPTION | DATE | DWN | APVD |
| | | | C | ECR-08-023397 | 14/09/08 | MJG | JA |
| | | | C1 | ECR-10-000003 | 25MAR10 | RK | SRE |



NOTES:

- 1 LUBRICATED
- 2 ELECTROPLATE SILVER
- 3 SPLICE FREE
- 4 ELECTROPLATE NICKEL
- 5 PAPER INTERLEAVE
- 6 REELED WITH WIRE BARREL LEGS DOWNWARDS
- 7 ELECTROPLATE TIN

8. WIRE RANGE 0.5 - 1.50mm (16-20 AWG)

| | | | | | | |
|-----------------|-------|----------|--------|---|------------------|------------|
| | 4.3 | 4.0mm | NICKEL | 4 | STEEL 100-021 T4 | 142535-2 |
| | 4.3 | 4.0mm | PLAIN | 1 | STEEL 100-021 T4 | 142535-1 |
| OBSOLETE | 3.68 | 3.5mm | SILVER | 2 | BRASS100-86 TI | 140764 |
| | 4.3 | 4.0mm | TIN | 7 | BRASS100-86 TI | 140636-1 3 |
| | 4.3 | 4.0mm | TIN | 7 | BRASS100-86 TI | 140636 5 |
| | 4.3 | 4.0mm | PLAIN | 1 | BRASS100-86 TI | 140635-1 6 |
| | 4.3 | 4.0mm | PLAIN | 1 | BRASS100-86 TI | 140635 |
| OBSOLETE | 3.68 | 3.5mm | TIN | 7 | BRASS100-86 TI | 140634 |
| OBSOLETE | 3.68 | 3.5mm | PLAIN | 1 | BRASS100-86 TI | 140633 |
| OBSOLETE | 3.02 | 3.0mm | TIN | 7 | BRASS100-86 TI | 140632 |
| | 3.02 | 3.0mm | PLAIN | | BRASS100-86 TI | 140631-1 6 |
| OBSOLETE | 3.02 | 3.0mm | PLAIN | | BRASS100-86 TI | 140631 |
| | A DIA | STUD DIA | FINISH | | MATERIAL | PART NO |

| | | | |
|---|--|---|--|
| <small>THIS DRAWING IS A CONTROLLED DOCUMENT FOR TYCO ELECTRONICS CORPORATION IT IS SUBJECT TO CHANGE AND THE CONTROLLING ENGINEERING ORGANIZATION SHOULD BE CONTACTED FOR THE LATEST REVISION.</small> | | DWN M GREENER 14/09/08 CHK J AMBROSE 14/09/08 APVD J AMBROSE 14/09/08 | Tyco Electronics Bideford, Devon England EX39 4HE |
| DIMENSIONS: mm | TOLERANCES UNLESS OTHERWISE SPECIFIED: 0 PLC ±0.5 1 PLC ±0.5 2 PLC ±0.5 3 PLC ±0.5 4 PLC ± ANGLES ±2 FINISH SEE TABLE | PRODUCT SPEC APPLICATION SPEC 114-3118 WEIGHT | NAME RING TONGUE TERMINAL SIZE A3 CAGE CODE 00779 DRAWING NO C-140631 RESTRICTED TO |
| MATERIAL SEE TABLE | FINISH SEE TABLE | CUSTOMER DRAWING | SCALE NTS SHEET 1 OF 1 REV C1 |

X-ON Electronics

Largest Supplier of Electrical and Electronic Components

Click to view similar products for [Terminals](#) category:

Click to view products by [TE Connectivity](#) manufacturer:

Other Similar products are found below :

[00-054007-01074-6](#) [00-054007-70206-1](#) [00-054007-70210-8](#) [00-054007-70217-7](#) [00-054007-70226-9](#) [00-054007-70228-3](#) [00-054007-70248-1](#) [00-054007-70256-6](#) [00-054007-70301-3](#) [00-054007-70316-7](#) [00-054007-49560-4](#) [00-054007-70209-2](#) [00-054007-70225-2](#) [00-054007-70227-6](#) [00-054007-70231-3](#) [00-054007-70241-2](#) [00-054007-70242-9](#) [00-054007-70244-3](#) [00-054007-70246-7](#) [00-054007-70263-4](#) [00-054007-70288-7](#) [00-054007-70290-0](#) [00-054007-70300-6](#) [00-054007-70304-4](#) [01-2065-1-0216](#) [01-2900-1-04412](#) [00581P0075](#) [600TS-10](#) [60205-1](#) [604200-1](#) [605601-1](#) [60598-1-CUT-TAPE](#) [61314-6-C](#) [61810-3](#) [61-S](#) [61-SN](#) [626-0194](#) [62-NBM-A](#) [62-SN](#) [62-SP](#) [63-S](#) [640179-1](#) [M55155/059I03](#) [M55155/079C01](#) [M55155/099H02](#) [M55155/109H01](#) [M55155/109H02](#) [M55155/12XH05](#) [M55155/16XH02](#) [M55155/29-5S](#)