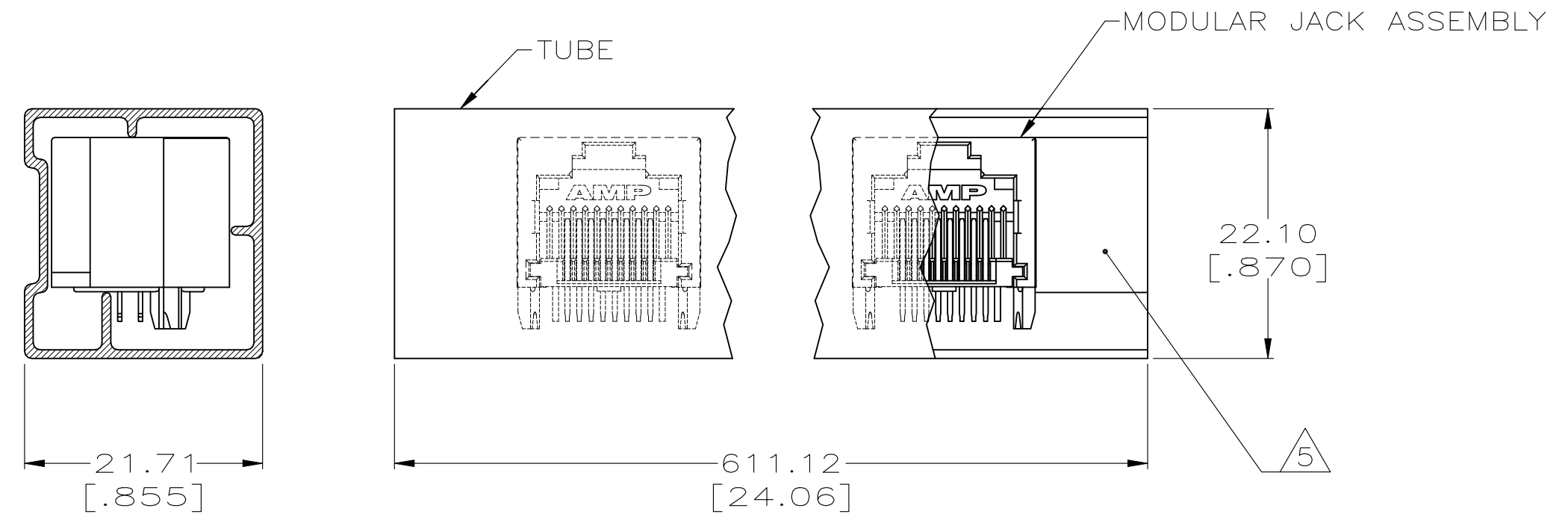
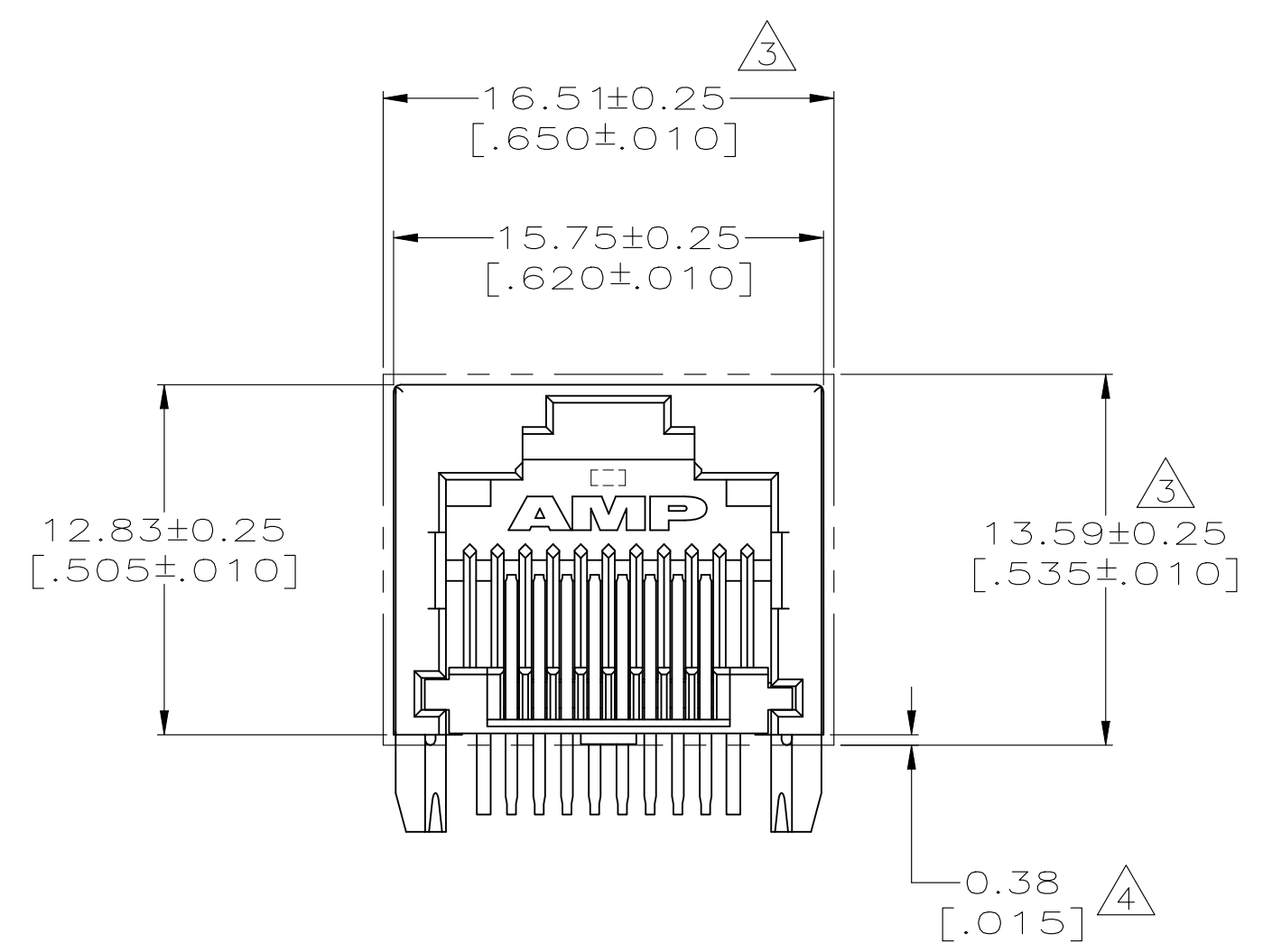
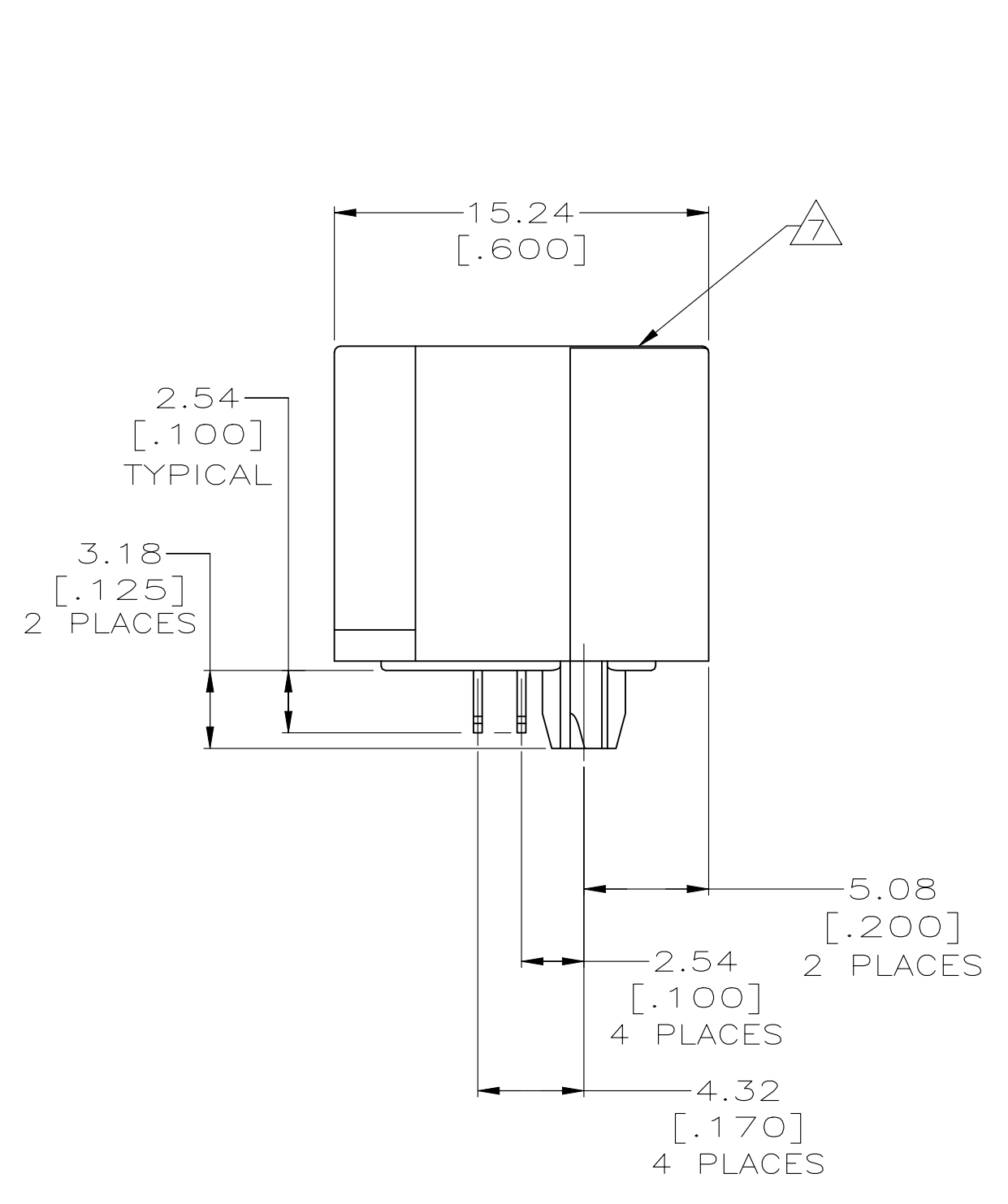
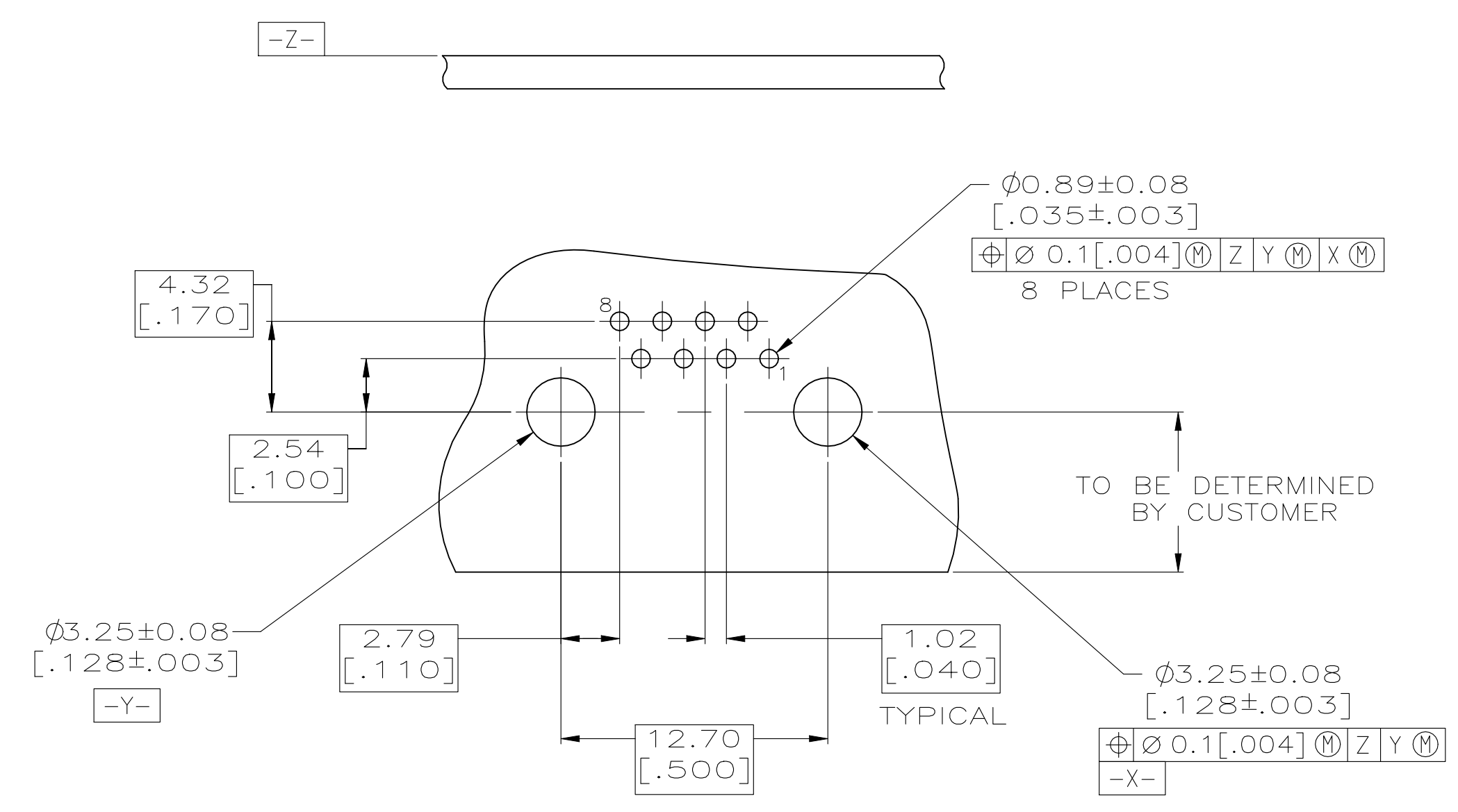


REVISIONS					
REV	DATE	DESCRIPTION	BY	CHK	APP'D
G	15SEP2021	REVISED PER ECO-20-015830	AK	SZ	



- △ MATERIAL:
HOUSING - HIGH TEMPERATURE THERMOPLASTIC, BLACK, UL94V-0; SOLDERING PROCESS COMPATIBLE.
TERMINALS - .36[.014] THICK PHOS BRONZE PLATED WITH 3.81µm[.000150] MINIMUM THICK (SEE P/N TABLE) IN SOLDER AREA. 1.27µm [0.00050] MINIMUM GOLD IN LOCALIZED PLATE AREA. ENTIRE TERMINAL PLATED WITH 1.27µm [0.00050] MINIMUM THICK NICKEL.
- 2. JACK CAVITY CONFORMS TO FCC RULES AND REGULATIONS PART 68, SUBPART F.
- △ SUGGESTED PANEL OPENING DIMENSIONS.
- △ SUGGESTED CLEARANCE BETWEEN BOTTOM OF CONNECTOR AND BOTTOM PANEL OPENING.
- △ PACKAGED 35 PIECES PER TUBE, SEE DETAIL "A".
- △ 80 PIECES/TRAY, 10 TRAYS/BOX.
- △ MANUFACTURING DATE CODE:
INK STAMP, LOCATED APPROX. AS SHOWN.
FIRST 2 DIGITS = LAST 2 DIGITS OF YEAR.
NEXT 2 DIGITS = MANUFACTURING WORK WEEK.
LAST DIGIT = DAY OF WEEK WITH SUNDAY = 1.

DETAIL A
TUBE PACKAGING
SCALE 2:1



SUGGESTED PRINTED CIRCUIT BOARD LAYOUT
(COMPONENT SIDE)

OBSOLETE	MATTE TIN	△ TUBE	1-406525-3
	MATTE TIN	△ TRAY, PICK & PLACE COMPATIBLE	1-406525-2
	MATTE TIN	TRAY	1-406525-1
OBSOLETE	BRIGHT TIN=LEAD	△ TUBE	406525-3
OBSOLETE	BRIGHT TIN=LEAD	△ TRAY, PICK & PLACE COMPATIBLE	406525-2
OBSOLETE	BRIGHT TIN=LEAD	TRAY	406525-1
	△ TERMINAL PLATING	PACKAGING	PART NUMBER

THIS DRAWING IS A CONTROLLED DOCUMENT.		DIN G GARRETT 17SEP97	TE Connectivity	
		CHK G GARRETT 17SEP97		
		APP'D M DERSTINE 17SEP97	NAME	
DIMENSIONS: mm [INCHES]		PRODUCT SPEC		INVERTED MODULAR JACK ASSEMBLY, 1X1
TOLERANCES UNLESS OTHERWISE SPECIFIED:		APPLICATION SPEC		SIZE CAGE CODE DRAWING NO
0 PLC	± -	108-1163-4		RESTRICTED TO
1 PLC	± -	114-2154		WEIGHT
2 PLC	± 0.25[.010]	A1 00779 C=406525		SCALE 4:1 SHEET 1 OF 1 REV G
3 PLC	± 0.13[.005]	CUSTOMER DRAWING		
4 PLC	± -			
ANGLES	± -			

X-ON Electronics

Largest Supplier of Electrical and Electronic Components

Click to view similar products for [Modular Connectors / Ethernet Connectors](#) category:

Click to view products by [TE Connectivity](#) manufacturer:

Other Similar products are found below :

[8949-H88/06BLKA/SN](#) [74441-0010/BKN](#) [MP1010RX-1000](#) [MP44RX-1000](#) [PHJ-4P4C-1-V-4](#) [PHP-6P6C-5](#) [GAX-3-66](#) [GAX-8-62](#) [GDCX-PA-66-50](#) [GDCX-PN-64](#) [GDCX-PN-66](#) [GDCX-PN-66-50](#) [GDLX-A-66](#) [GDLX-N-66](#) [GDLX-S-66](#) [GDLX-S-88K](#) [GDLX-SMT-S-88](#) [GDTX-S-88-50](#) [GDX-PA-1010](#) [GLX-N-1010M-BLK](#) [GLX-S-88M-BLK](#) [GMX-N-1010](#) [GMX-S-1010](#) [GMX-S-66](#) [GMX-SMT4-N-88](#) [GPX-2-64](#) [GSGX-N-2-88](#) [GSGX-N-4-88](#) [GSX-NS2-88-3.05](#) [GSX-NS2-88-3.05-50](#) [GSX-NS-88-3.05-50](#) [PT-108A-8C-UL](#) [PT-J951-8C](#) [PTS-J531-8CS-50UL](#) [1-1775629-2](#) [A-2014-0-4](#) [GWLX-S-88-GR](#) [GWLX-S9-88-YG](#) [DC-1021-8-WH-6](#) [1300530003](#) [1324640-4](#) [RJ11FTVC2G](#) [RJ11FTVC2N](#) [RJFTVX2SA1G](#) [132764-001](#) [1413235](#) [MP88X-1000](#) [MPS88RX-5000](#) [E5288-S000K3-L](#) [E5908-15A242-L](#)