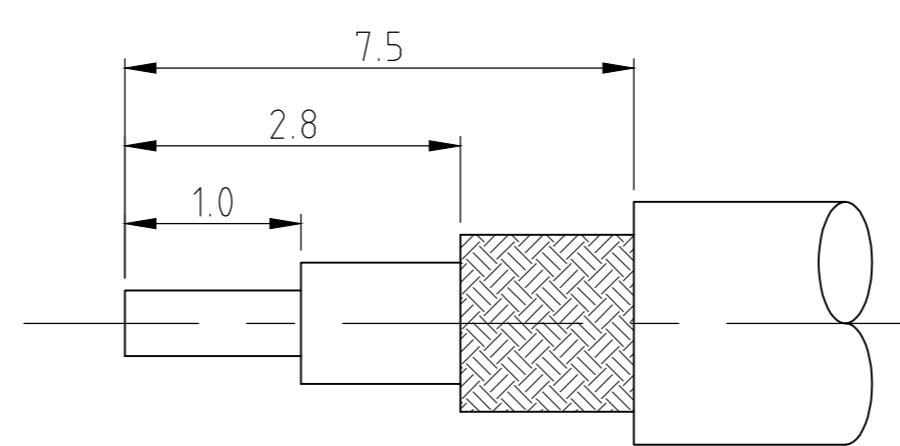
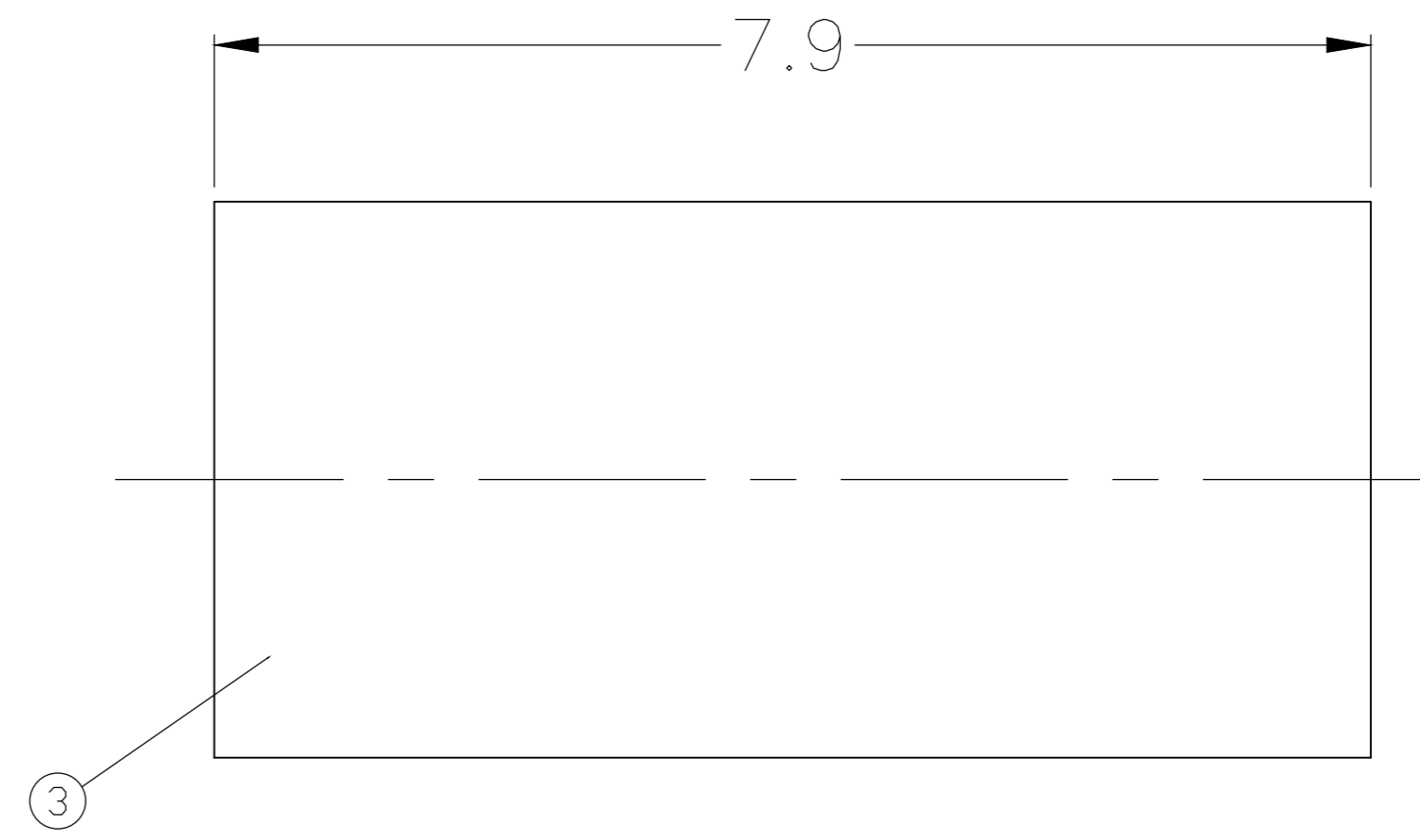
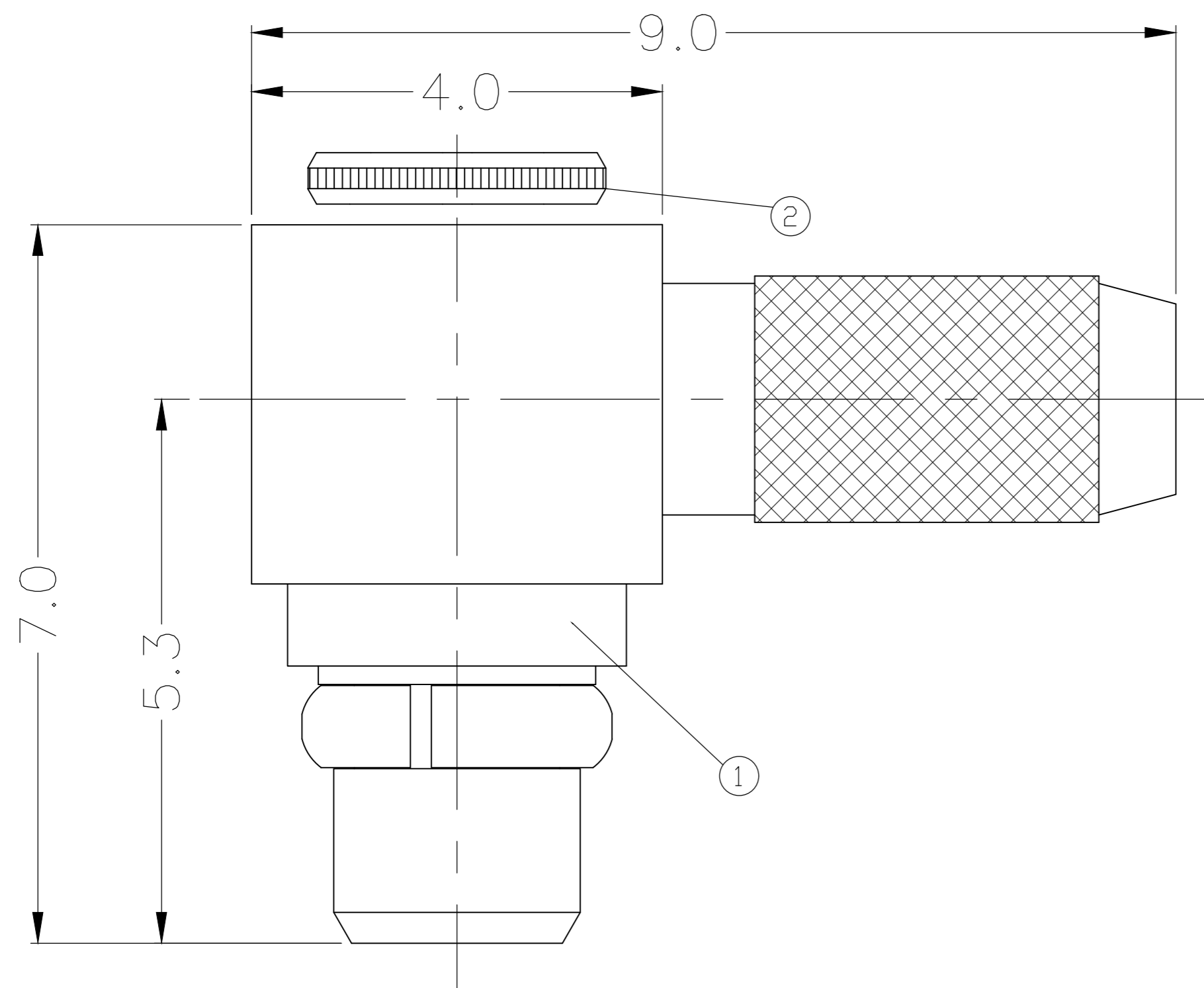


THIS DRAWING IS UNPUBLISHED. RELEASED FOR PUBLICATION  
 © COPYRIGHT - By - ALL RIGHTS RESERVED.

REVISIONS					
P	LTR	DESCRIPTION	DATE	DWN	APVD
F2		ECO-18-017129	30OCT2018	RZ	RS



RECOMMENDED CABLE STRIP LENGTH (NTS)

- ITEMS 1, 2, 3, AND 4 PACKAGED UNASSEMBLED
- CRIMP REQUIREMENTS: FERRULE 2.67 [.105] HEX
- CRIMP REQUIREMENTS: FERRULE 3.25 [.128] HEX
- CRIMP REQUIREMENTS: FERRULE 3.86 [.152] HEX
- ITEM 4 NOT SHOWN

ELECTRICAL	MECHANICAL	ENVIRONMENTAL
Impedance (Ohm) <u>50</u>	Interface Dimension CECC 22 000	TEMPERATURE RANGE <u>-55 TO + 125</u>
Frequency Range (GHz) <u>DC to 6GHz</u>	Force to Engage and Disengage (N) Engage: <u>18 MAXI</u> Disengage: <u>6 MINI</u>	THERMAL SHOCK <u>MIL-STD-202, METHOD107, B</u>
Voltage Rating (Peak) @ Sea Level <u>170 V RMS</u>	Center Contact Captivation Axial (N) <u>6.0</u> Radial (In/Oz) <u>N/A</u>	CORROSION <u>MIL-STD-202, METHOD101, B</u>
Insulation Resistance (MIN.) <u>1000 M ohms</u>	Cable Retention Axial (Lbs) <u>N/A</u>	VIBRATION <u>MIL-STD-202, METHOD204, B</u>
Contact Resistance (Milliohms MAX) Center Contact <u>5.0</u> Outer Contact <u>2.5</u>	Mating cycles <u>500 cycles</u>	MOISTURE RESISTANCE <u>MIL-STD-202, METHOD106</u>
Dielectric Withstand Voltage: <u>500 V RMS Max</u>		ROHS <u>COMPLIANT</u>
Insertion Loss : <u>N/A dB</u>		
VSWR: <u>1.35 MAXI (GHz)</u>		
RF leakage: <u>N/A</u>		
3rd Intermodulation: <u>N/A</u>		

OMNIFLEX 200 <sup>2</sup>	1405671-2	8-1403102-5	1408146-2	1408147-2	1408149-4
RD-316 <sup>4</sup>	---	3-413889-2	1408146-2	1408147-1	1408149-3
RG-316 <sup>3</sup>	---	3-413889-1	1408146-2	1408147-1	1408149-2
RG-178 RG-196 <sup>2</sup>	---	3-413889-3	1408146-2	1408147-2	1408149-1
CABLE CRIMP INFO	<sup>4</sup> SHRINK TUBING	<sup>3</sup> FERRULE	<sup>2</sup> CAP	<sup>1</sup> HOUSING ASSY	PART NUMBER
THIS DRAWING IS A CONTROLLED DOCUMENT.		DWN 19NOV2001 RMF	TE Connectivity Ltd.		
DIMENSIONS: mm		CHK 22OCT00 RMF	NAME		
TOLERANCES UNLESS OTHERWISE SPECIFIED:		APVD 22OCT00 RMF	PRODUCT SPEC		
0 PLC ± -		108-2084			
1 PLC ± 0.26 (.010)		APPLICATION SPEC			
2 PLC ± 0.13 (.005)		408-8627			
3 PLC ± -		WEIGHT 0.000000			
4 PLC ± -		SIZE A2 CAGE CODE 00779 DRAWING NO C=1408149			
ANGLES ± 1°		SCALE 20:1 SHEET 1 of 1 REV F2			
MATERIAL		CUSTOMER DRAWING			
FINISH					

## X-ON Electronics

Largest Supplier of Electrical and Electronic Components

*Click to view similar products for [RF Connectors / Coaxial Connectors](#) category:*

*Click to view products by [TE Connectivity](#) manufacturer:*

Other Similar products are found below :

[8915-1511-000](#) [89674-0827](#) [6001-7071-019](#) [6002-7051-003](#) [6002-7551-202](#) [6059674-1](#) [619550-1](#) [630059-000](#) [M39030/3-01N](#) [6500-7071-046](#) [6769](#) [CX050L2AQ](#) [7002-1541-010](#) [7002-1542-011](#) [7004-1512-000](#) [7009-1511-004](#) [7010-1511-000](#) [7029-1511-060](#) [7101-1541-010](#) [7101-1571-002](#) [7105-1521-002](#) [7145-1521-002](#) [7203-1571-003](#) [7209-1511-011](#) [7210-1511-015](#) [7210-1511-019](#) [73137-5015](#) [73216-2241](#) [73404-2300](#) [7405-1521-005](#) [7405-1521-802](#) [8527](#) [8547](#) [FS11V](#) [877931](#) [9049-9513-000](#) [9074-9513-000](#) [9101-9573-002](#) [910A205F](#) [9130-9573-002](#) [PL11SC-026](#) [PL375-33](#) [PL40-5](#) [PL74C-221](#) [PL75MC-217](#) [PL803-7](#) [1200690078](#) [1-201144-1](#) [R107003010W](#) [R110A172100](#)