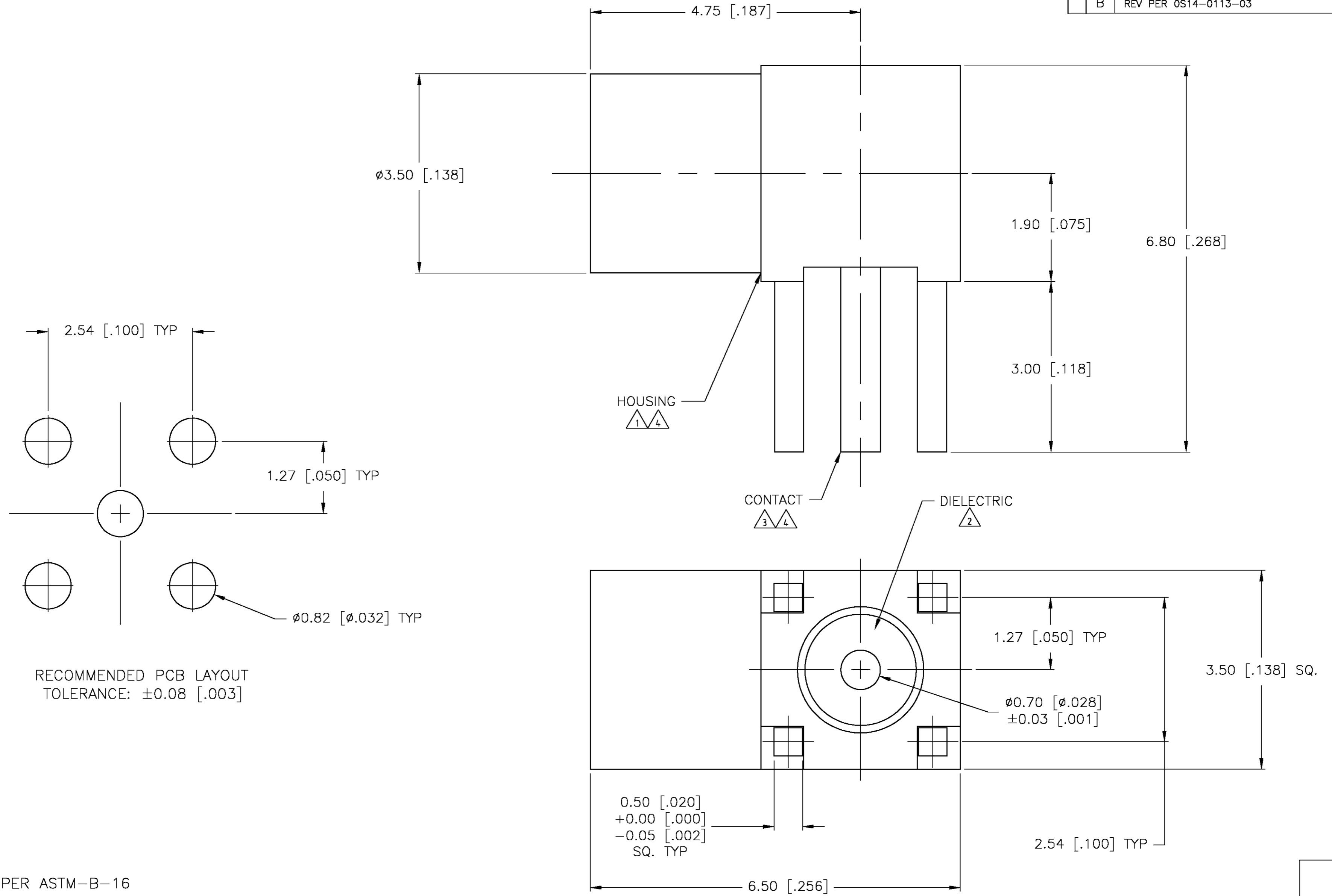


THIS DRAWING IS UNPUBLISHED. RELEASED FOR PUBLICATION
 © COPYRIGHT BY TYCO ELECTRONICS CORPORATION. ALL RIGHTS RESERVED.

REVISIONS				DATE	DWN	APVD
P	LTR	DESCRIPTION				
B		REV PER OS14-0113-03	07APR03	KW	KW	



RECOMMENDED PCB LAYOUT
 TOLERANCE: ±0.08 [.003]

- 1 BRASS PER ASTM-B-16
- 2 PTFE PER ASTM-D-1710
- 3 BERYLLIUM COPPER PER ASTM-B-196
- 4 GOLD PLATE PER MIL-G-45204

1408151-1
 PART NUMBER

THIS DRAWING IS A CONTROLLED DOCUMENT.		DWN	21NOV01	 Tyco Electronics Corporation Middletown, PA 17057	NAME		MMCX JACK, RIGHT ANGLE, PCB			
DIMENSIONS:		CHK	21NOV01		PRODUCT SPEC		SIZE	CAGE CODE	DRAWING NO	RESTRICTED TO
MM [INCHES]		APVD	21NOV01		APPLICATION SPEC		SCALE	SHEET	OF	REV
TOLERANCES UNLESS OTHERWISE SPECIFIED:		MATERIAL			WEIGHT		CUSTOMER DRAWING			
0 PLC	± -	-		0.45g/.016oz		A2 00779		C=1408151		
1 PLC	± -					20:1		1 OF 1		
2 PLC	± 0.15 [.006]									
3 PLC	± -									
4 PLC	± -									
ANGLES	± 5°									
FINISH	-									

X-ON Electronics

Largest Supplier of Electrical and Electronic Components

Click to view similar products for [RF Connectors / Coaxial Connectors](#) category:

Click to view products by [TE Connectivity](#) manufacturer:

Other Similar products are found below :

[8915-1511-000](#) [89674-0827](#) [6001-7071-019](#) [6002-7051-003](#) [6002-7551-202](#) [6059674-1](#) [619550-1](#) [630059-000](#) [M39030/3-01N](#) [6500-7071-046](#) [6769](#) [CX050L2AQ](#) [7002-1541-010](#) [7002-1542-011](#) [7004-1512-000](#) [7009-1511-004](#) [7010-1511-000](#) [7029-1511-060](#) [7101-1541-010](#) [7101-1571-002](#) [7105-1521-002](#) [7145-1521-002](#) [7203-1571-003](#) [7209-1511-011](#) [7210-1511-015](#) [7210-1511-019](#) [73137-5015](#) [73216-2241](#) [73404-2300](#) [7405-1521-005](#) [7405-1521-802](#) [8527](#) [8547](#) [FS11V](#) [877931](#) [9049-9513-000](#) [9074-9513-000](#) [9101-9573-002](#) [910A205F](#) [9130-9573-002](#) [PL11SC-026](#) [PL375-33](#) [PL40-5](#) [PL74C-221](#) [PL75MC-217](#) [PL803-7](#) [1200690078](#) [1-201144-1](#) [R107003010W](#) [R110A172100](#)